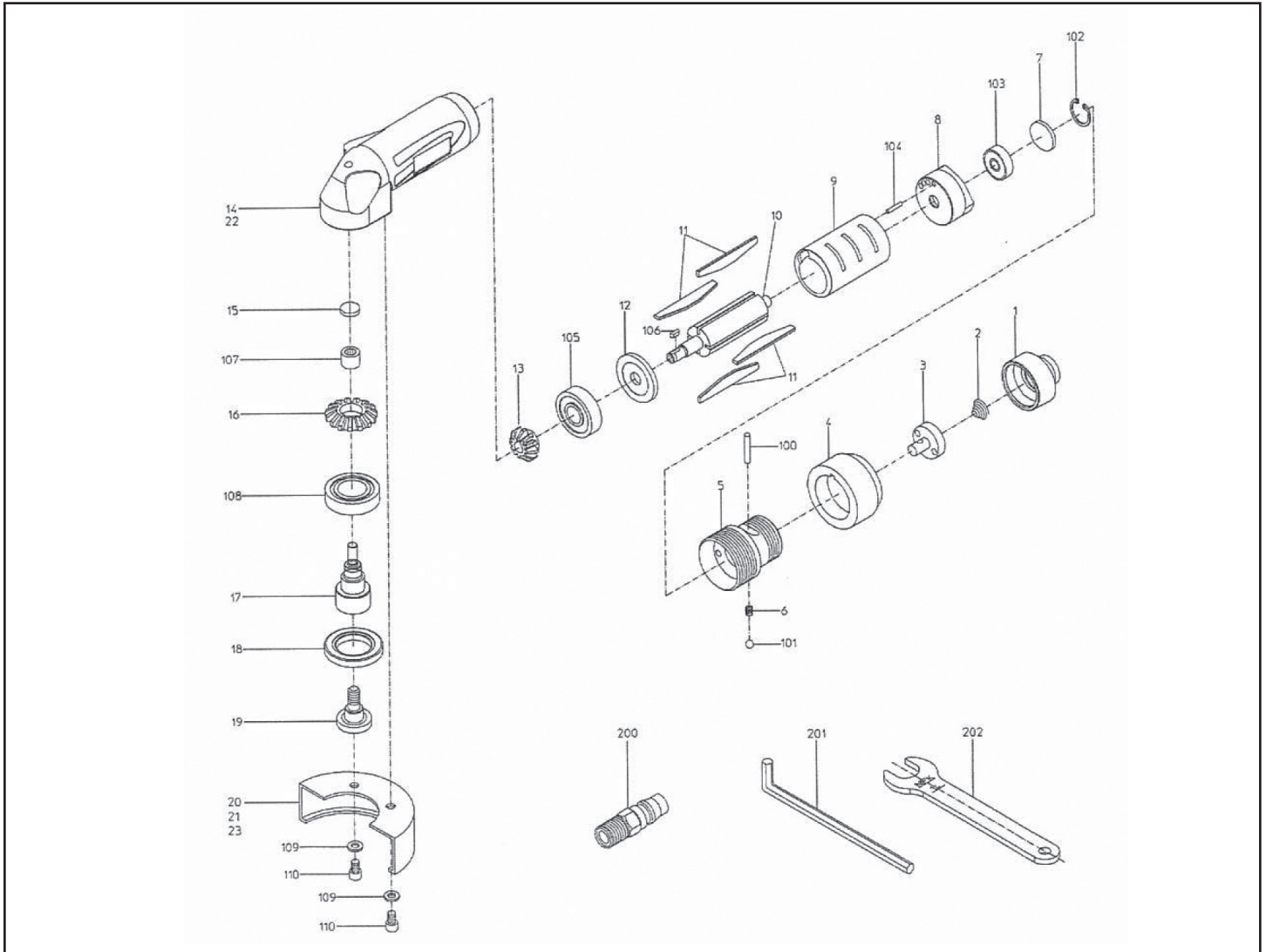


NGE-050 Angle Grinder



Index	Part No.	Description	Qty.
1	15016204	Inlet Bushing	1
2	15000990	Throttle Spring	1
3	15016933	Throttle Valve	1
4	15016936	Grip	1
5	15016935	Handle	1
6	15212610	Spring	1
7	15016201	Bearing Cover	1
8	15016205	Top Plate	1
9	15016206	Cylinder	1
10	15016197	Rotor	1
11	15016198	Vane	4
12	15016207	Bottom Plate	1
13	15016937	Rotor Gear	1
14	15016935	Rotor Case	1
15	15016211	Washer	1
16	15016939	Spindle Gear	1
17	15016938	Stone Spindle	1

Index	Part No.	Description	Qty.
18	1501699	Spindle Nut	1
19	15016934	Lock Screen	1
20	15016214	Stone Cover	1
100	28209075	Roller Pin	1
101	28205004	Steel Ball	1
102	25307958	Retaining Ring	1
103	28201033	Ball Bearing	1
104	28208024	Spring Pin	1
105	28201161	Ball Bearing	1
106	28209086	Key	1
107	28203084	Needle Bearing	1
108	28201080	Ball Bearing	1
109	76310204	Washer	2
110	74004006	Cap Screw	2
201	25004050	Spanner	1
202	24999106	Single Ended Spanner	1