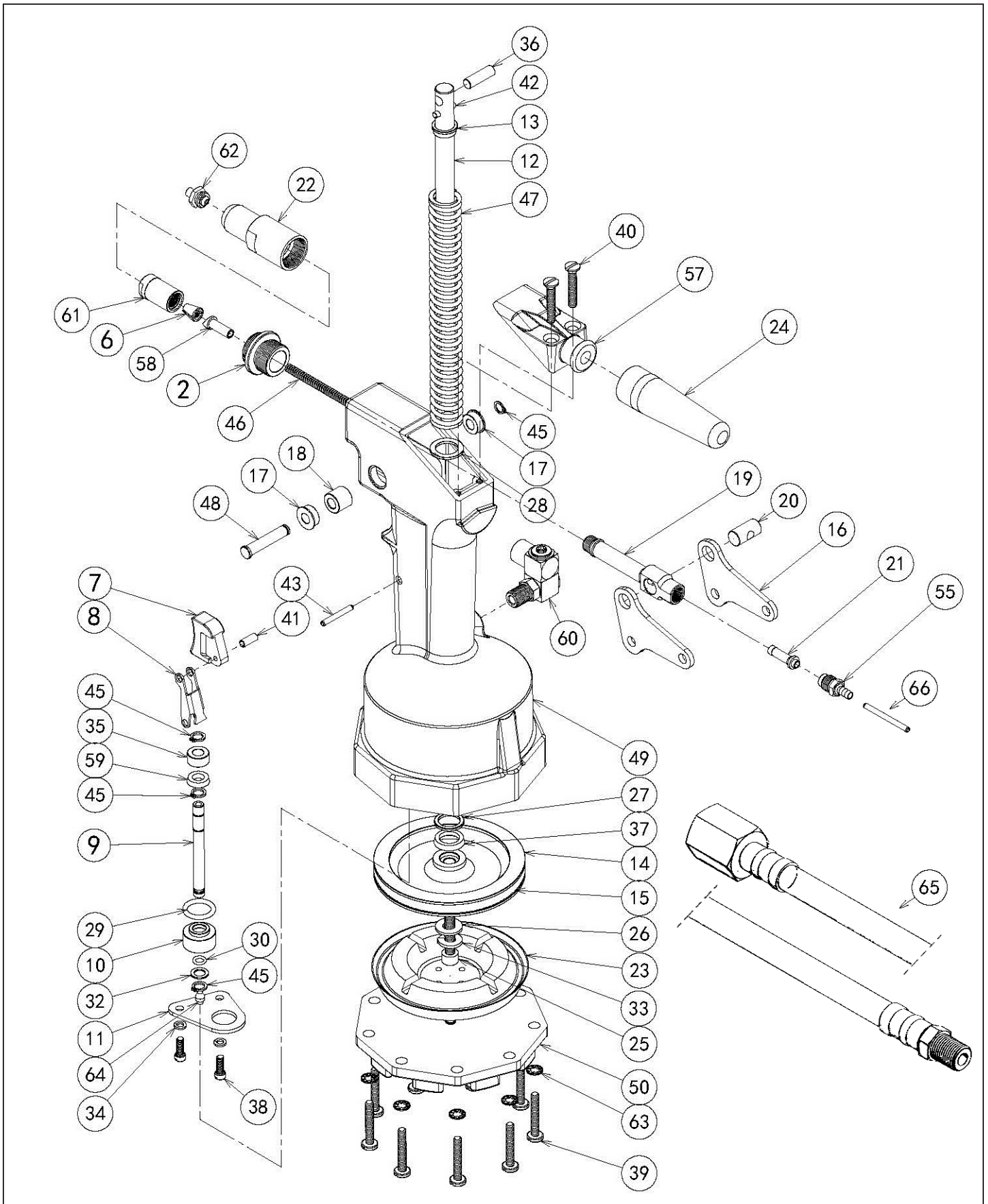




MICHIGAN PNEUMATIC TOOL, INC.

MP-10187 3/16" Capacity Air Riveter





MICHIGAN PNEUMATIC TOOL, INC.

MP-10187 3/16" Capacity Air Riveter

Index	Part No.	Description	Qty.
2	10187-2	Nose housing adaptor	1
6	10187-6	Jaw	2
7	10187-7	Trigger	1
8	10187-8	Trigger lever	1
9	10187-9	Valve tube	1
10	10187-10	Valve seat	1
11	10187-11	Valve plate	1
12	10187-12	Piston rod assembly	1
13	10187-13	Spring cap	1
14	10187-14	Piston	1
15	10187-15	Piston seal	1
16	10187-16	Bell crank	2
17	10187-17	Bell crank bushing	2
18	10187-18	Bell crank bushing center	1
19	10187-19	Pulling head	1
20	10187-20	Pulling head fulcrum	1
21	10187-21	Mandrel tube	1
22	10187-22	Nose housing	1
23	10187-23	Piston bumper	1
24	10187-24	Rubber stem cover	1
25	10187-25	Piston rod screw	1
26	10187-26	Piston rod washer	1
27	10187-27	Piston rod seal washer	1
28	10187-28	Spring washer	1
29	10187-29	Valve seat seal	1
30	10187-30	Valve ring seal	1
32	10187-32	Base air seal washer	1
33	10187-33	Piston rod lock washer	1
34	10187-34	Valve plate screw lock washer	2

Index	Part No.	Description	Qty.
35	10187-35	Valve tube cap	1
36	10187-36	Piston rod fulcrum	1
37	10187-37	Piston rod seal	1
38	10187-38	Valve plate screw	2
39	10187-39	Base screw	9
40	10187-40	Housing cap screw	2
41	10187-41	Trigger pin	1
42	10187-42	Piston rod pin	1
43	10187-43	Trigger fulcrum pin	1
45	10187-45	Valve ring seal retainer	4
46	10187-46	Jaw pusher spring	1
47	10187-47	Piston rod return spring	1
48	10187-48	Bell crank fulcrum	1
49	10187-49	Housing	1
50	10187-50	Base	1
55	10187-55	Mandrel guide	1
57	10187-57	Housing cap	1
58	10187-58	Jaw pusher	1
59	10187-59	Valve tube seal	1
60	10187-60	Air inlet fitting	1
61	10187-61	Jaw guide	1
62	10187-62A	5/32" Nosepiece	1
	10187-62B	1/8" Nosepiece	1
	10187-62C	3/16" Nosepiece	1
63	10187-63	Base screw washer	9
64	10187-64	Valve plate pin.	1
65	10187-65	1.6M Air hose set	1
66	10187-66	4x6x55 Tube	1