

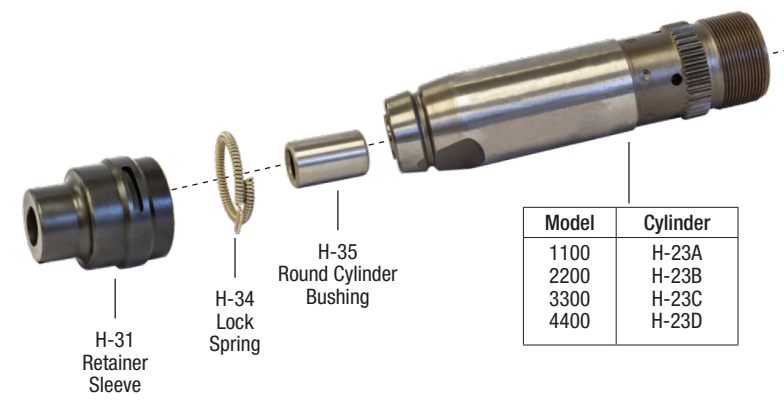
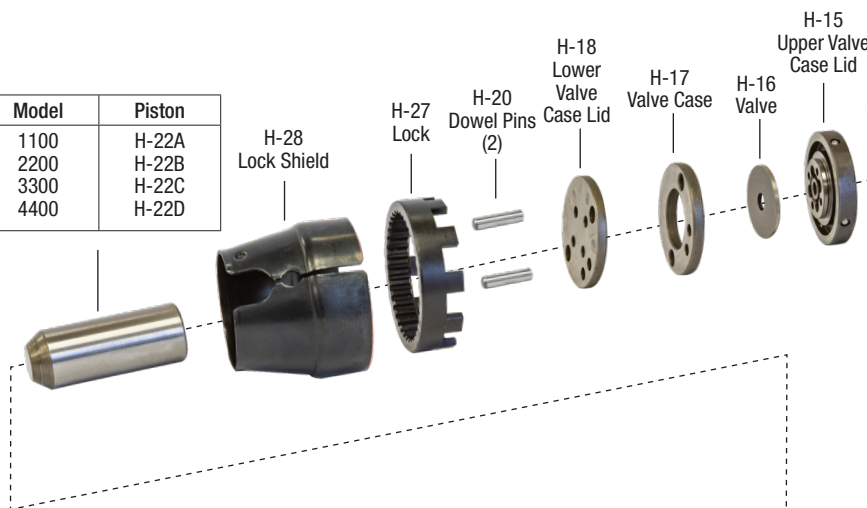


MICHIGAN PNEUMATIC TOOL, INC.

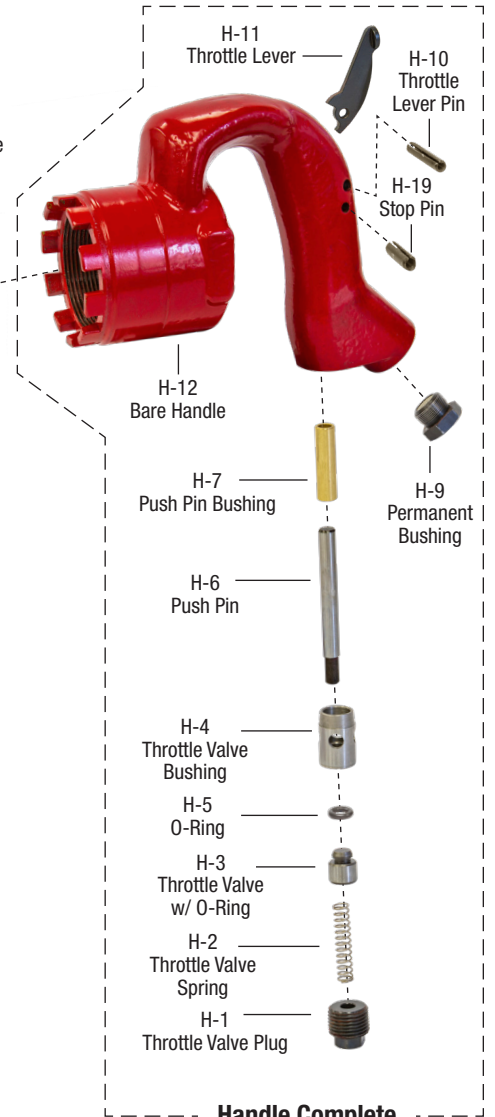
MP-1100/MP-2200/MP-3300/MP-4400

Chipping Hammer

Model	Piston
1100	H-22A
2200	H-22B
3300	H-22C
4400	H-22D



Model	Cylinder
1100	H-23A
2200	H-23B
3300	H-23C
4400	H-23D



Handle Complete
H-12-C