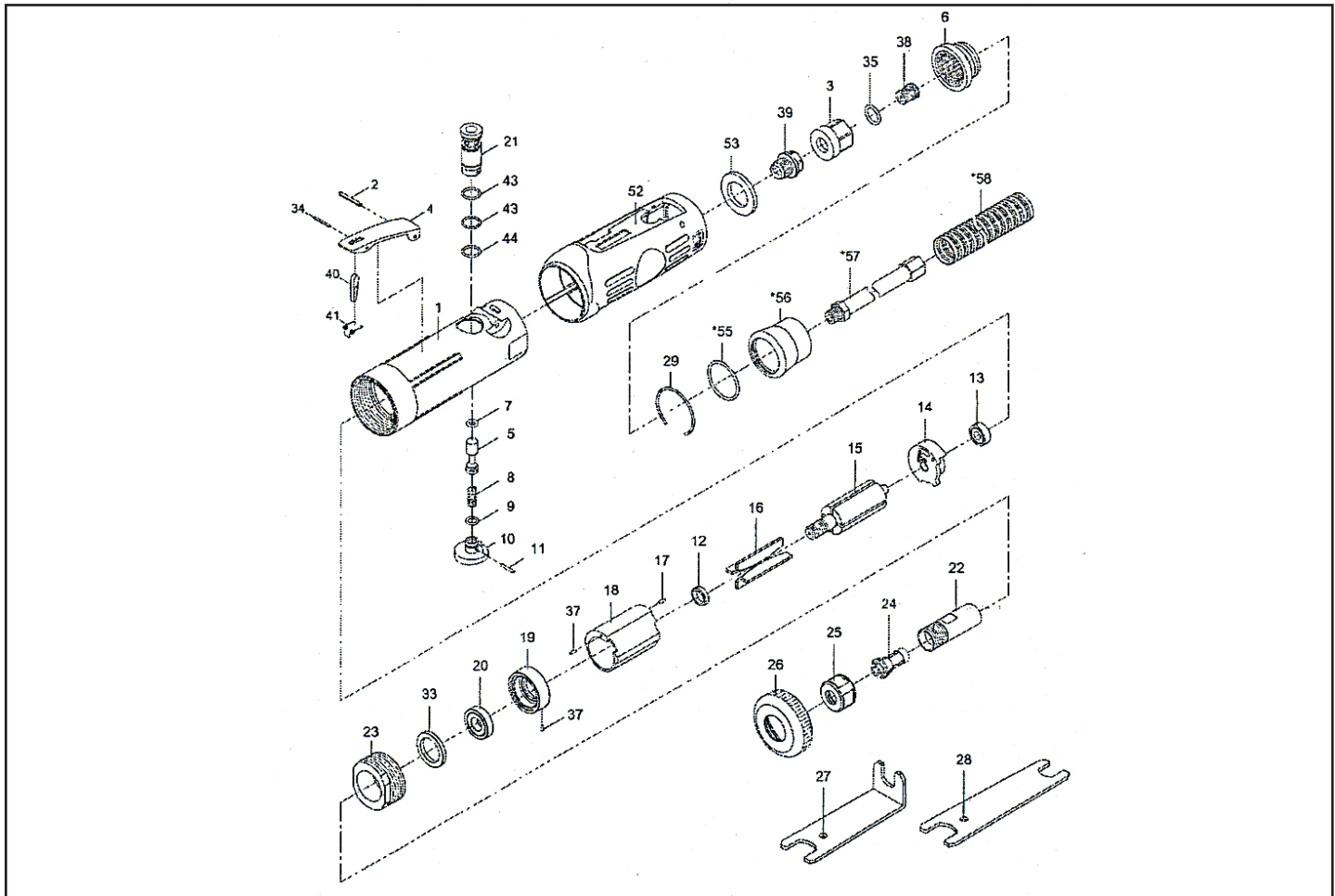




**MICHIGAN PNEUMATIC TOOL, INC.**

# MP-1151B-ST 1/4" Die Grinder



Index	Part No.	Description	Qty.
1	51-3011B01	Motor Housing	1
2	30102	Spring Pin	1
3	51-3011A03	Air Inlet	1
4	6K-301104	Throttle Lever	1
5	51-3011B05	Valve Shaft	1
6	51206	Exhaust Diffuser	1
7	72007	O-Ring	1
8	30108	Valve Spring	1
9	72804	O-Ring	1
10	51-3011B10	Air Regulator Knob	1
11	SP02001200	Spring Pin	1
12	51212	Rotor Bush	1
13	52213	Ball Bearing	1
14	301114	Rear End Plate	1
15	512215	Rotor	1
16	512216	Rotor Blade	4
17	30117	Spring Pin	1
18	512218	Cylinder	1
19	512219	Front End Plate	1
20	51220	Ball Bearing	1
21	51-3011B06	Bushing	1
22	51222	Spindle	1
23	512223	Clamp Nut	1

Index	Part No.	Description	Qty.
24	51224	Collet	1
25	51225	Collet Nut	1
26	512226	Housing Cap	1
27	51227	Angle Double Ended Spanner	1
28	51228	Double Ended Spanner	1
29	51229	Retainer Ring	1
33	512227	Washer	1
34	51542	Spring Pin	1
35	OR00705105	O-Ring	1
37	30117-22	Spring Pin	2
38	51-3011A42	Screw	1
39	51-3011B41	Fixed Shaft	1
40	522239	Safety Bar	1
41	522212	Spring	1
43	OR01007105	O-Ring	2
44	OR01104103	O-Ring	1
52	512256	Rubber Grip	1
53	51250	Damping Material	1
*55	70144	O-Ring	1
*56	70143	Clamp	1
*57	51239	Hose	1
*58	52238	Exhaust Hose	1

06222015Rev1HMB | NP