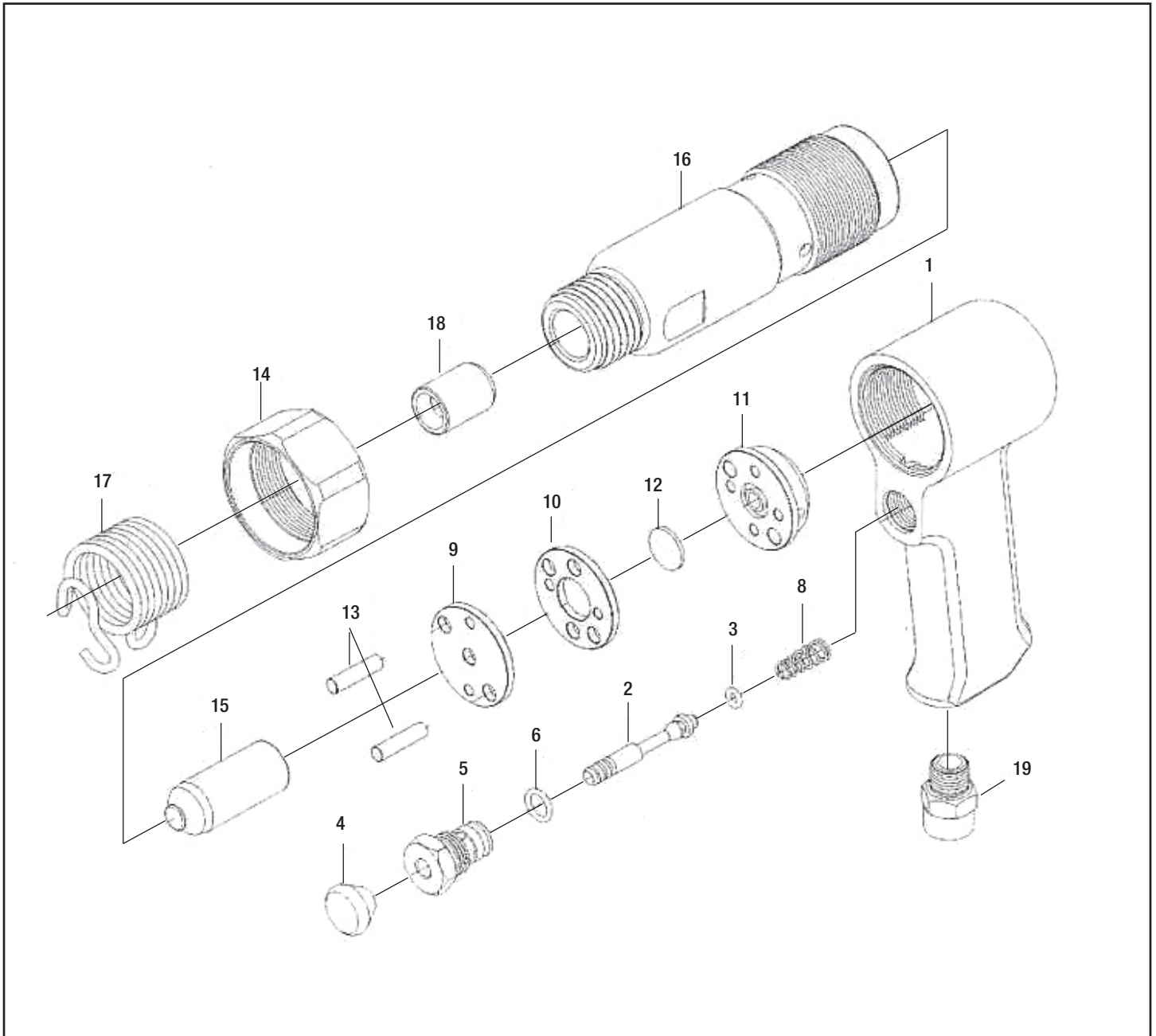




MICHIGAN PNEUMATIC TOOL, INC.

MP-121-GP .401 Shank Utility Air Hammer



Index	Part No.	Description	Qty.
1	121-01	Handle	1
2	121-02	Throttle Valve	1
3	121-03	O-Ring	1
4	121-04	Button	1
5	121-05	Valve Bushing	1
6	121-06	O-Ring	1
8	121-08	Spring	1
9	121-09	Valve Seat	1
10	121-10	Valve Spacer	1
11	121-11	Valve Cap	1

Index	Part No.	Description	Qty.
12	121-12	Valve	1
13	121-13	Dowel Pin	2
14	121-14	Exhaust Deflector	1
15	121-15	Piston	1
16	121-16	Cylinder	1
17	121-17	Retainer Spring	1
18	121-18A	Bushing Cylinder - Round	1
	121-18B	Bushing Cylinder - Hex (10mm)	1
	121-18C	Bushing Cylinder - Hex (11mm)	1
19	121-19	Inlet Bushing	1

02222017Rev4CEH | MF