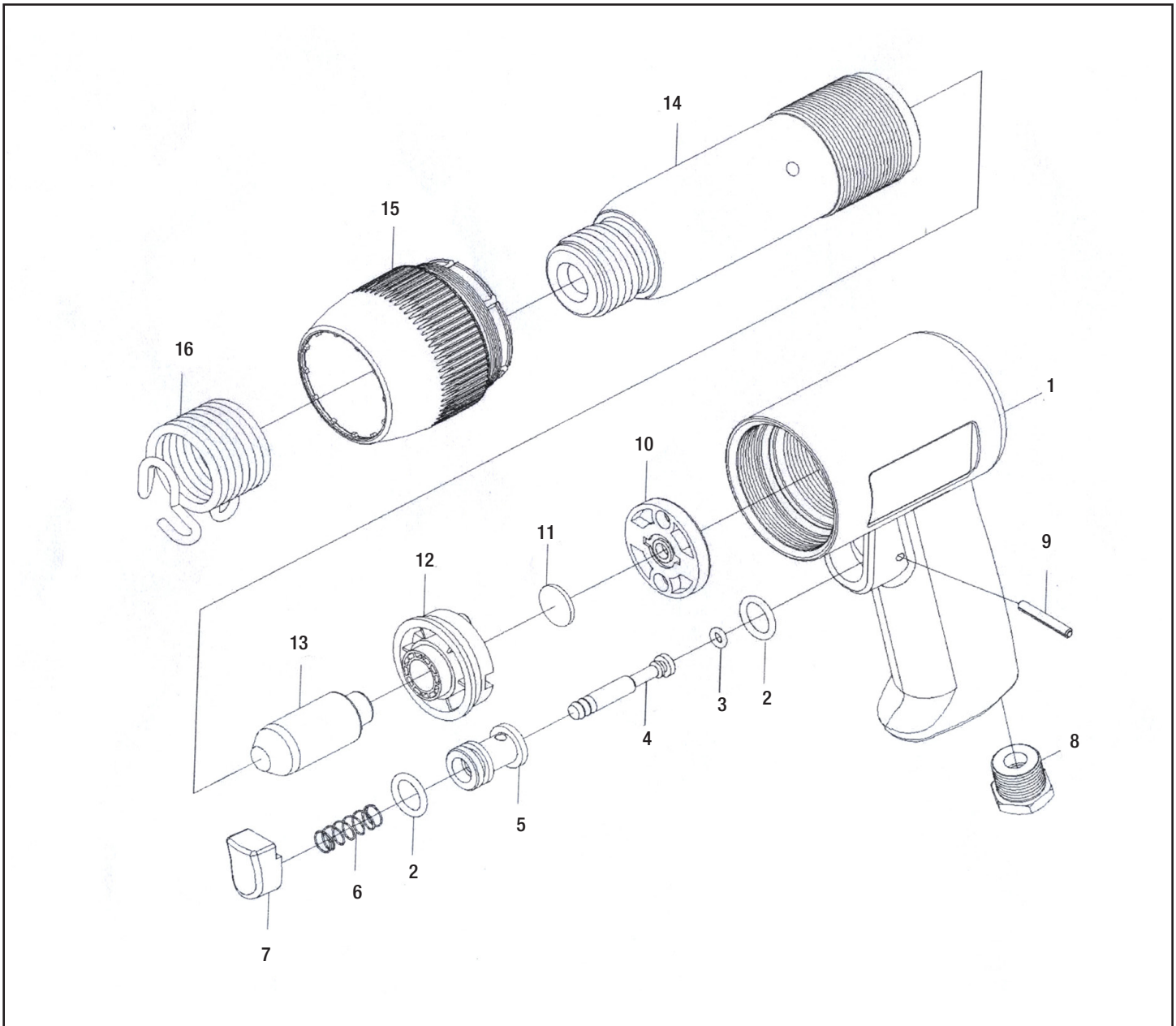




MICHIGAN PNEUMATIC TOOL, INC.

MP-1213R-GP .401 Shank Utility Air Hammer



Index	Part No.	Description	Qty.
1	AH121001	Handle	1
2	AH121002	O-Ring	2
3	AH121003	O-Ring	1
4	AH121004	Throttle Valve	1
5	AH121005	Bushing Valve	1
6	AH121006	Spring Valve	1
7	AH121007	Button Throttle	1
8	AH121008	Air Inlet Bushing	1
9	AH121009	Spring Pin	1

Index	Part No.	Description	Qty.
10	AH121010	Lid Valve	1
11	AH121011	Disc Valve	1
12	AH121012	Case Valve	1
13	AH121013	Piston	1
14	AH121014A	Cylinder - Round (10.1mm)	1
	AH121014B	Cylinder - Hex (10mm)	1
	AH121014C	Cylinder - Hex (11mm)	1
15	AH121015	Exhaust Cover	1
16	AH121016	Spring Retainer	1

06262015Rev3HMB | NP