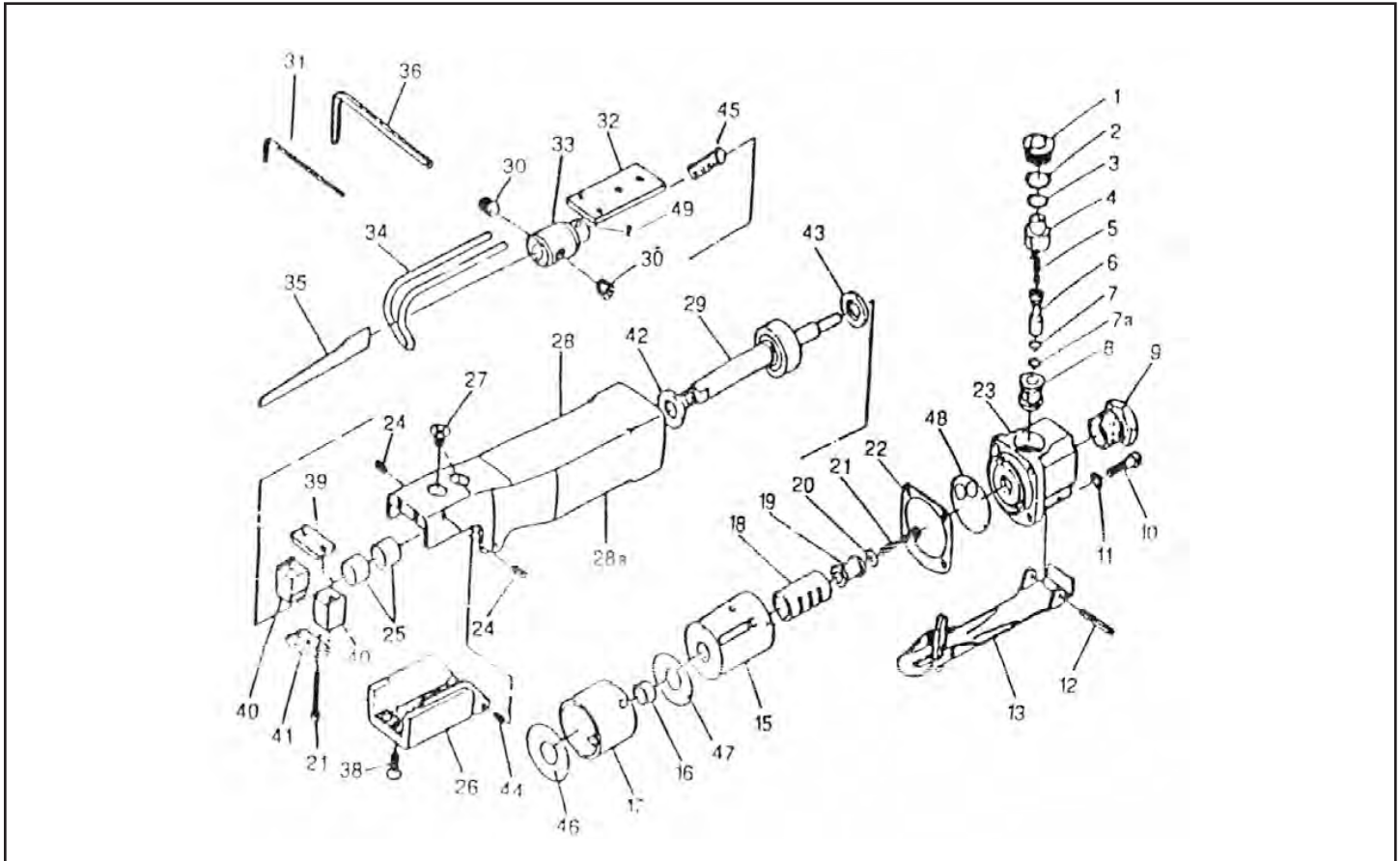




MICHIGAN PNEUMATIC TOOL, INC.

MP-129TW-ST Air Body Saw



Index	Part No.	Description	Qty.
1	0604001	Valve Screw	1
2	0604002	O-Ring	1
3	0604003	O-Ring	1
4	0604004	Air Controller	1
5	0604005	Valve Spring	1
6	0604006	Valve Stem	1
7	0604007	O-Ring	1
7A	0604007	O-Ring	1
8	0604008	Valve Bushing	1
9	0604009	Inlet Bushing	1
10	0604010	Cap Screw	4
11	0604011	Washer	1
12	0604012	Lever Pin	1
13	0604013	Throttle Lever	1
15	0604015	Valve Case	1
16	0604016	Bushing	1
17	0604017	Cylinder	1
18	0604018	Valve Sleeve	1
19	0604019	Actuate Valve	1
20	0604020	Washer	1
21	0604021	Cap Screw	2
22	0604022	Gasket	1
23	0604023	Valve Block	1
24	0604024	Set Screw	2
25	0604025	Bushing	2
26	0604026	Chuck Cover	1

Index	Part No.	Description	Qty.
27	0604027	Screw	2
28	0604028	Housing	1
28A	0604028	Plastic Wrapping	1
29	0604026	Piston Assembly	1
30	0604030	Set Screw	2
31	0604031	Service Wrench (2mm)	1
32	0604032	Guide Plate	1
33	0606033	Blade Chuck	1
34A	0606034	Work Guide (Long)	1
34B	0606034	Work Guide (Short)	1
35A	0606035	Blade (32T)	1
35B	0606035	Blade (24T)	1
36	0606036	Service Wrench (4mm)	1
38	0606038	Screw	1
39	0606039	Upper Wear Shoe	1
40	0606040	Blade Guide	2
41	0606041	Bridge	1
42	0606042	Front Bumper	1
43	0606043	Rear Bumper	1
44	0606044	Roll Pin	2
45	0606045	Spring	1
46	0606046	Packing	1
47	0606047	Packing	1
48	0606048	Packing	1
49	0606049	Set Screw	1

07052016Rev2HMB | NP