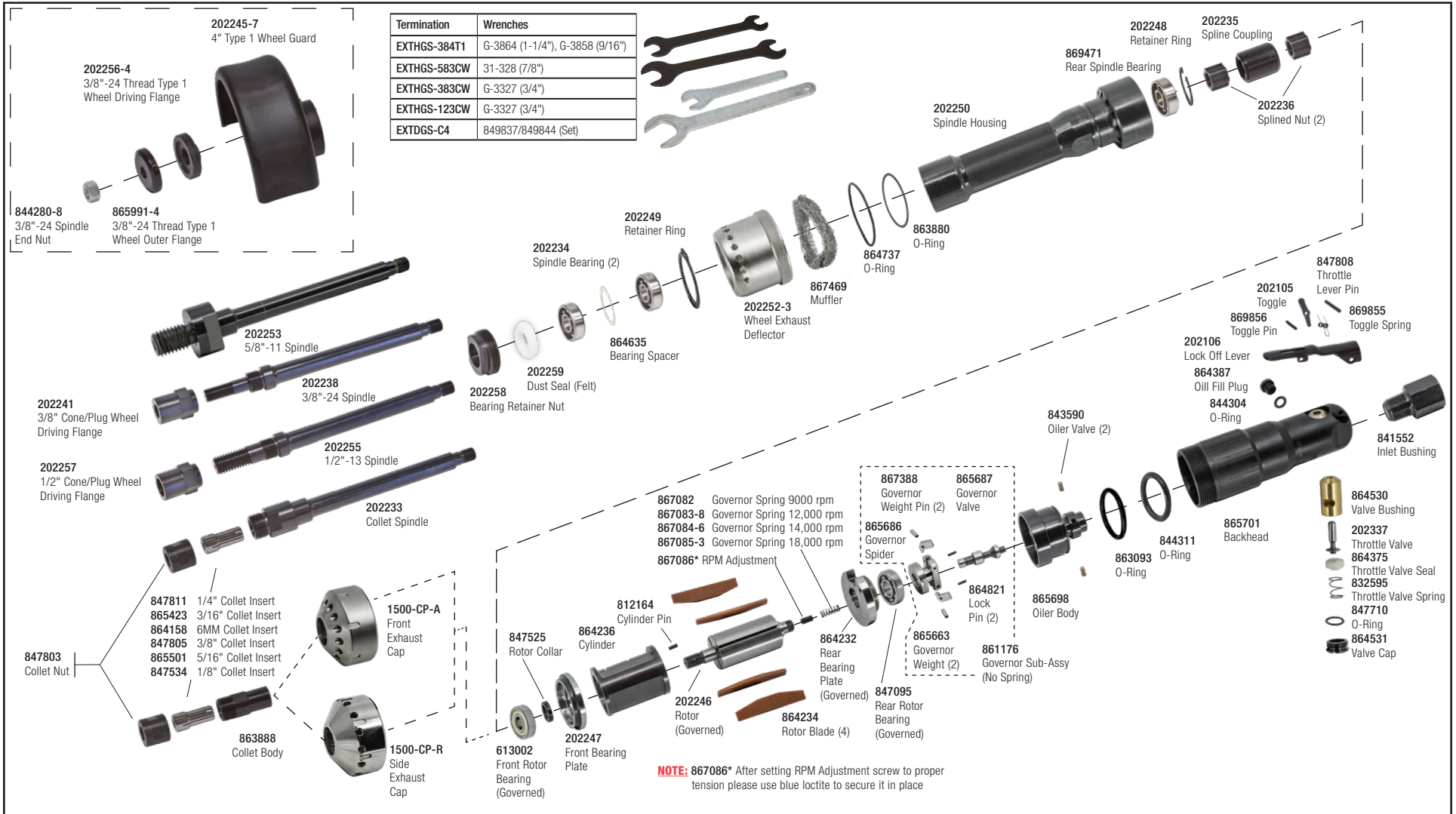




MICHIGAN PNEUMATIC TOOL, INC.



Model Number Identification Chart													
(MP-XX)	XX	XXXX	XX	X	XX	XXX							
Series	RPM	Extension	Description	Exhaust	Termination	Capacity							
15	1500 Series 1.5 HP Grinders	09	9,000	EXT 6"	DG	Die Grinder	F	Front	C4	1/4" Collet	1"	Carbide Burr, 2" Wheel	
		12	12,000	EXT12	12"	HG	Horizontal Grinder	S	Side	C6	3/16" Collet	3CW	2" Cone Wheel
		14	14,000	EXT24	24"					C6M	6MM Collet	4T1	4" Type 1 Wheel
		18	18,000	EXT36	36"					C3	3/8" Collet		
				EXT48	48"					C5	5/16" Collet		
										C8	1/8" Collet		
										38	3/8"-24 External Thread		
								58	5/8"-11 External Thread				
								12	1/2"-13 External Thread				



NOTE: 867086* After setting RPM Adjustment screw to proper tension please use blue loctite to secure it in place

6850 Middlebelt Rd. • Romulus, MI 48174 • 1-800-521-8104 • Ph: (313) 933-5890 • Fax: (313) 933-0440

www.michiganpneumatic.com • e-mail: mpt@michiganpneumatic.com

12112023Rev13PFT | MF



MICHIGAN PNEUMATIC TOOL, INC.



Extension Assy's

Model Number Identification Chart													
(MP-XX)	XX	XXXX	XX	X	—	XX	XXX						
Series	RPM	Extension	Description	Exhaust	Termination	Capacity							
15	1500 Series 1.5 HP Grinders	09	9,000	EXT 6"	DG	Die Grinder	F	Front	C4	1/4" Collet	—	1" Carbide Burr, 2" Wheel	
		12	12,000	EXT12	12"	HG	Horizontal Grinder	S	Side	C6	3/16" Collet	3CW	2" Cone Wheel
		14	14,000	EXT24	24"					C6M	6MM Collet	4T1	4" Type 1 Wheel
		18	18,000	EXT36	36"					C3	3/8" Collet		
				EXT48	48"					C5	5/16" Collet		
										C8	1/8" Collet		
										38	3/8"-24 External Thread		
								58	5/8"-11 External Thread				
								12	1/2"-13 External Thread				

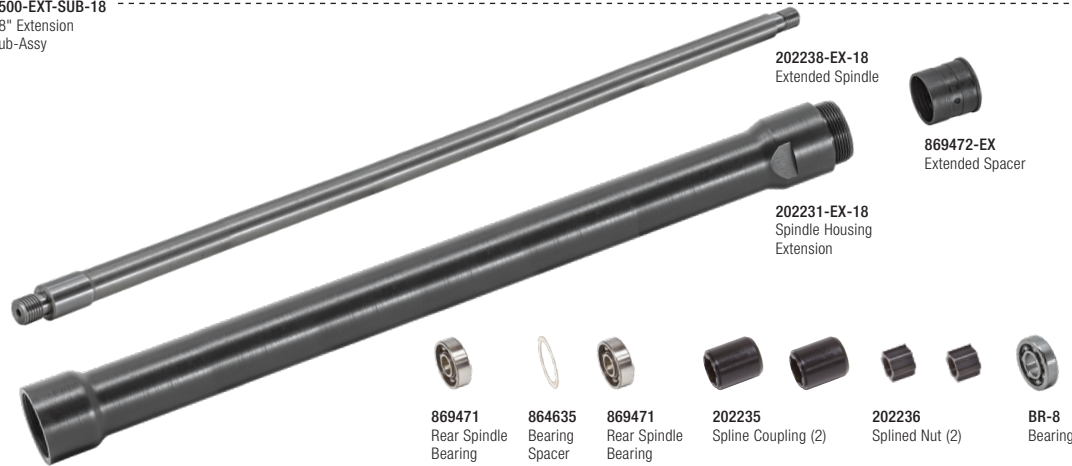
9500-EXT-SUB
6" Extension
Sub-Assy



9500-EXT-SUB-12
12" Extension
Sub-Assy



9500-EXT-SUB-18
18" Extension
Sub-Assy



**Belt Grinder
Attachment
Sub-Assy's**

