

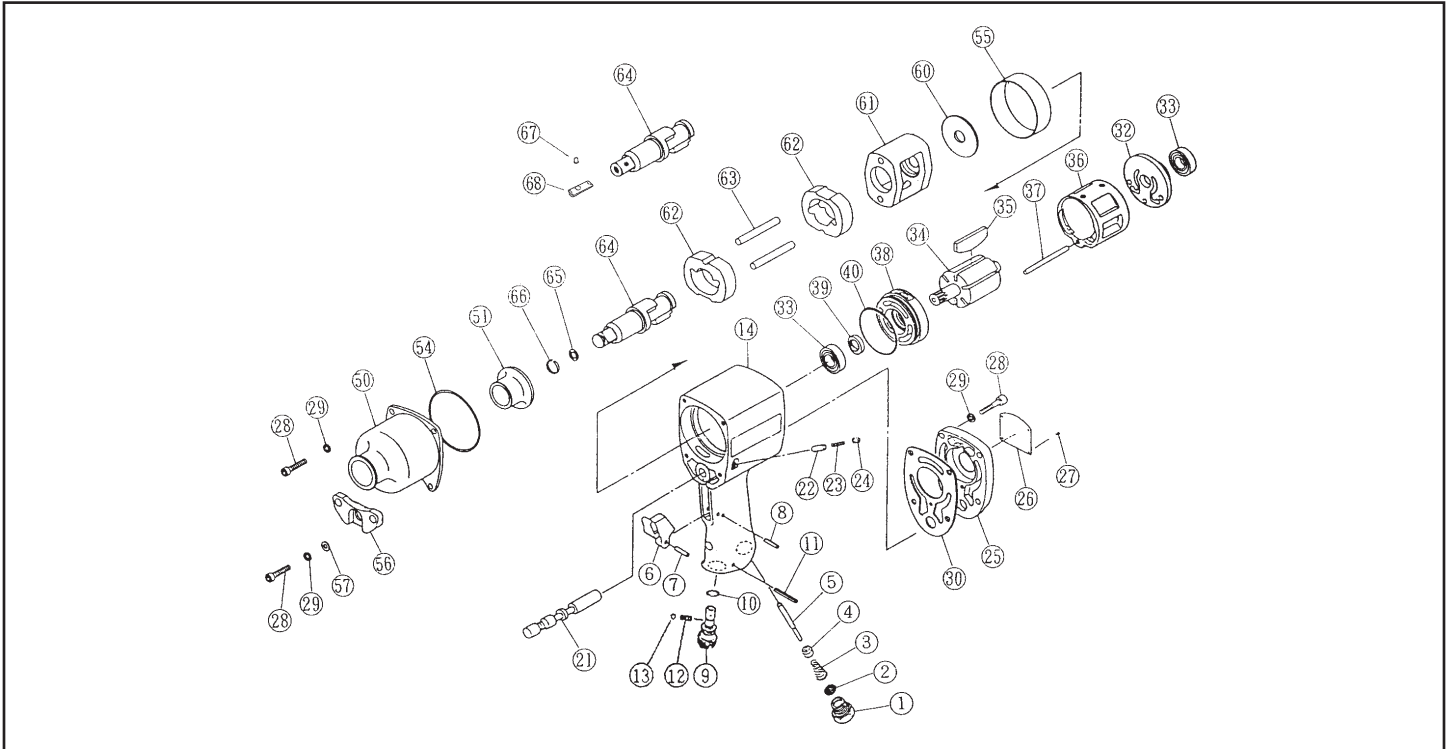


MICHIGAN PNEUMATIC TOOL, INC.

MP-1700 1/2" Impact Wrench w/ Friction Ring Anvil

MP-1700P2 1/2" Impact Wrench w/ Ext. Friction Ring Anvil

MP-1700PA 1/2" Impact Wrench w/ Pin-type Anvil



Index	Part No.	Description	Qty.
1	43-14-10-850	Air Inlet	1
2	13-68-04-003	Air Screen	1
3	13-08-05-010	Throttle Valve Spring	1
4	13-68-05-002	Throttle Valve	1
5	43-18-01-100	Throttle Push Pin	1
6	13-67-03-055	Trigger	1
7	13-04-03-120	Trigger Pin	1
8	13-06-20-016	Spring Pin	1
9	43-14-01-150	Control Valve	1
10	13-11-05-107	O-Ring (6227-6)	1
11	13-06-03-025	Spring Pin (3 x 25)	1
12	13-08-08-001	Spring	1
13	13-08-02-010	Steel Ball	1
14	43-18-07-01F	Motor Housing CP	1
21	43-18-03-210	Reverse Valve	1
22	43-14-01-241	Reverse Valve Stop Pin	1
23	13-08-03-151	Valve Stop Pin Spring	1
24	13-22-06-106	Hex Screw	1
25	43-11-10-350	Housing Cover	1
26	13-73-05-018	Name Plate	1
27	13-30-01-110	Rivet	4
28	13-17-05-222	Hex Bolt	8
29	13-13-10-005	Spring Washer M5	8
30	13-62-02-091	Housing Cover Gasket	1
32	43-11-10-370	Rear Plate	1
33	13-01-20-004	Bearing (EE-4)	2

Index	Part No.	Description	Qty.
34	43-18-01-390	Rotor	1
35	13-71-07-008	Vane	6
36	43-11-10-360	Liner	1
37	13-04-03-123	Liner Pin	1
38	43-11-10-380	Front Plate	1
39	13-12-10-004	Oil Seal	1
40	13-11-17-032	O-Ring	1
50	43-18-01-52F	Clutch Housing CP	1
51	43-18-01-490	Shank Bushing	1
54	13-11-17-035	O-Ring	1
55	43-18-01-930	Housing Adapter Ring	1
56	43-18-01-050	Exhaust Deflector	1
57	13-13-09-105	Flat Washer	2
60	43-18-01-420	Spacer	1
61	43-18-01-440	Hammer Frame	1
62	43-18-01-450	Hammer	2
63	43-18-01-460	Hammer Pin	2
64	43-18-01-500	Friction Ring Anvil, Standard	1
	43-18-02-500	Friction Ring Anvil 2-1/2" (Not Shown)	1
	43-18-09-50C	Pin-type Anvil CP	1
65	13-11-17-108	O-Ring (must pair w/ 13-08-05-106)	1
	13-11-05-006	O-Ring (must pair w/ 13-08-05-006)	1
66	13-08-03-106	Socket Ret. (pair w/ 13-11-17-108)	1
	13-08-05-006	Socket Ret. (pair w/ 13-11-05-006)	
67	IG-46413	Pin Stopper	1
68	IG-46412	Rubber Stopper	1

07152015Rev5HMB | NP