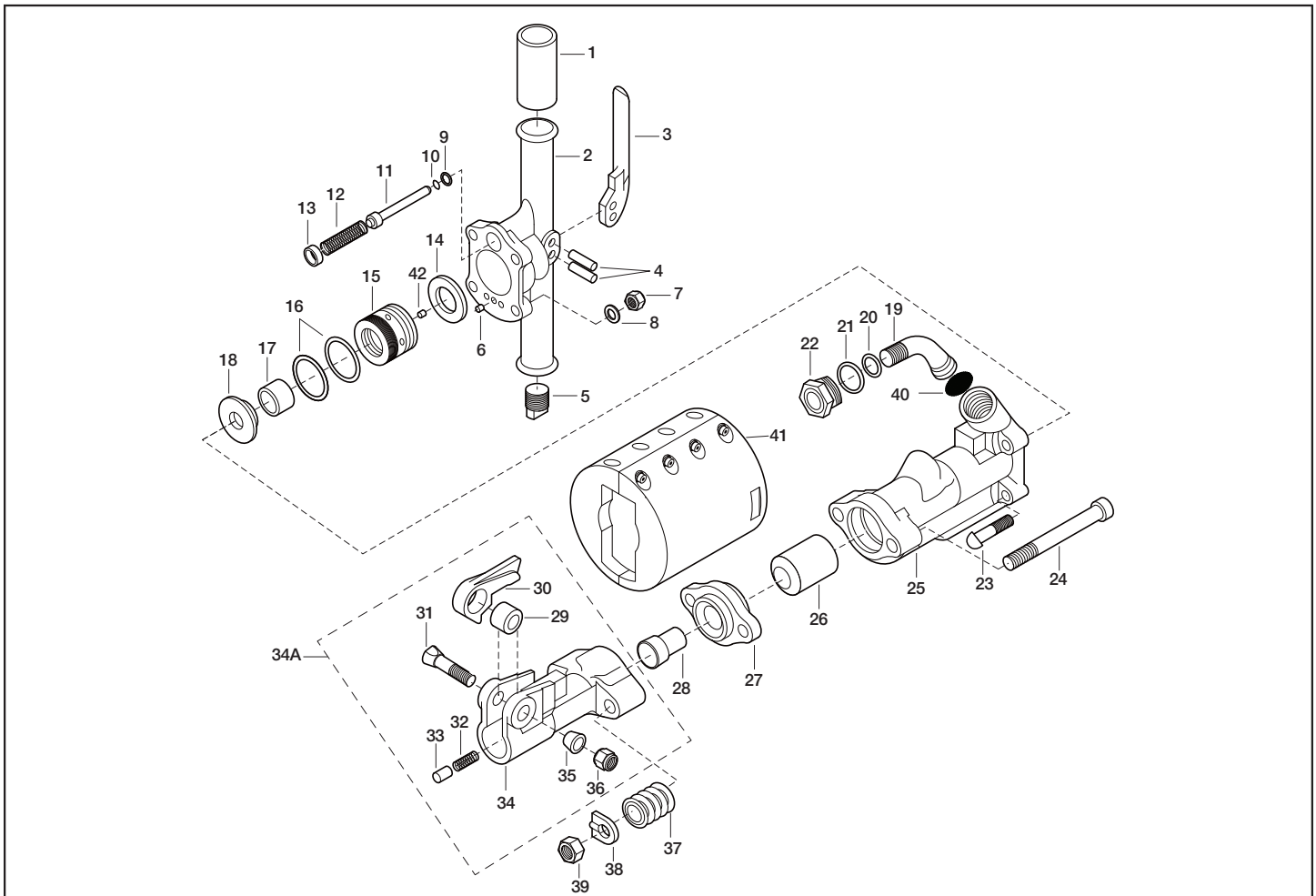




MICHIGAN PNEUMATIC TOOL, INC.

MP-17A 35 lb. Class Style Pavement Breaker



Index	Part No.	Description	Qty.
1	F815345	Grip	2
2	F814723	Back Head	1
3	F814725	Throttle Lever	1
4	R133433	Throttle Lever Pin	2
5	R075031	Oil Plug	1
6	C036901	Oil Regulator Plug	1
7	R114525	Back Head Nut	4
8	C065384	Spring Washer	4
9	R098369	Retainer Ring	1
10	R098368	Throttle Valve Seal	1
11	R092894	Throttle Valve	1
12	R005717	Throttle Valve Spring	1
13	R110215	Seal - Cylinder	1
14	R110209	Valve Case Spacer	1
15	R110206	Valve Case	1
16	R110210	O-Ring	1
17	R110208	Valve	1
18	R110207	Valve Case Lid	1
19	F814720	Air Inlet Swivel	1
20	C106884	O-Ring	1
21	R056605	O-Ring	1
22	R075599	Inlet Swivel Nut	1
23	R110214	Back Head Bolt	4

Index	Part No.	Description	Qty.
24	R110217	Front Head Bolt	2
25	F814724	Cylinder	1
26	R110212	Piston	1
27	R110203	Anvil Block Bushing	1
28	R085427	Anvil Block	1
29	R048540	Latch Bushing	1
30	R092493	Latch Retainer	1
31	R092498	Bolt	1
32	R086982	Plunger Spring	1
33	R092497	Plunger	1
34	R110205	Front Head 1"	1
34A	R110219	Front Head Complete (29,30,31,32,33,34,35,36)	
35	R092499	Cone Washer	1
36	R081091	Nut	1
37	RO93698	Front Head Spring	2
38	R041073	Lock Plate	2
39	R110218	Front Head Nut	2
40	6638	Screen	1
41	F814928	Muffer Complete ("S" Version Only)	1
42	C054897	Plug	1
	LKIT-APT140	Latch Kit (29,30,31,32,33,35,36)	
	SRKIT-CP1210	Side Rod Kit (24,37,38,39)	