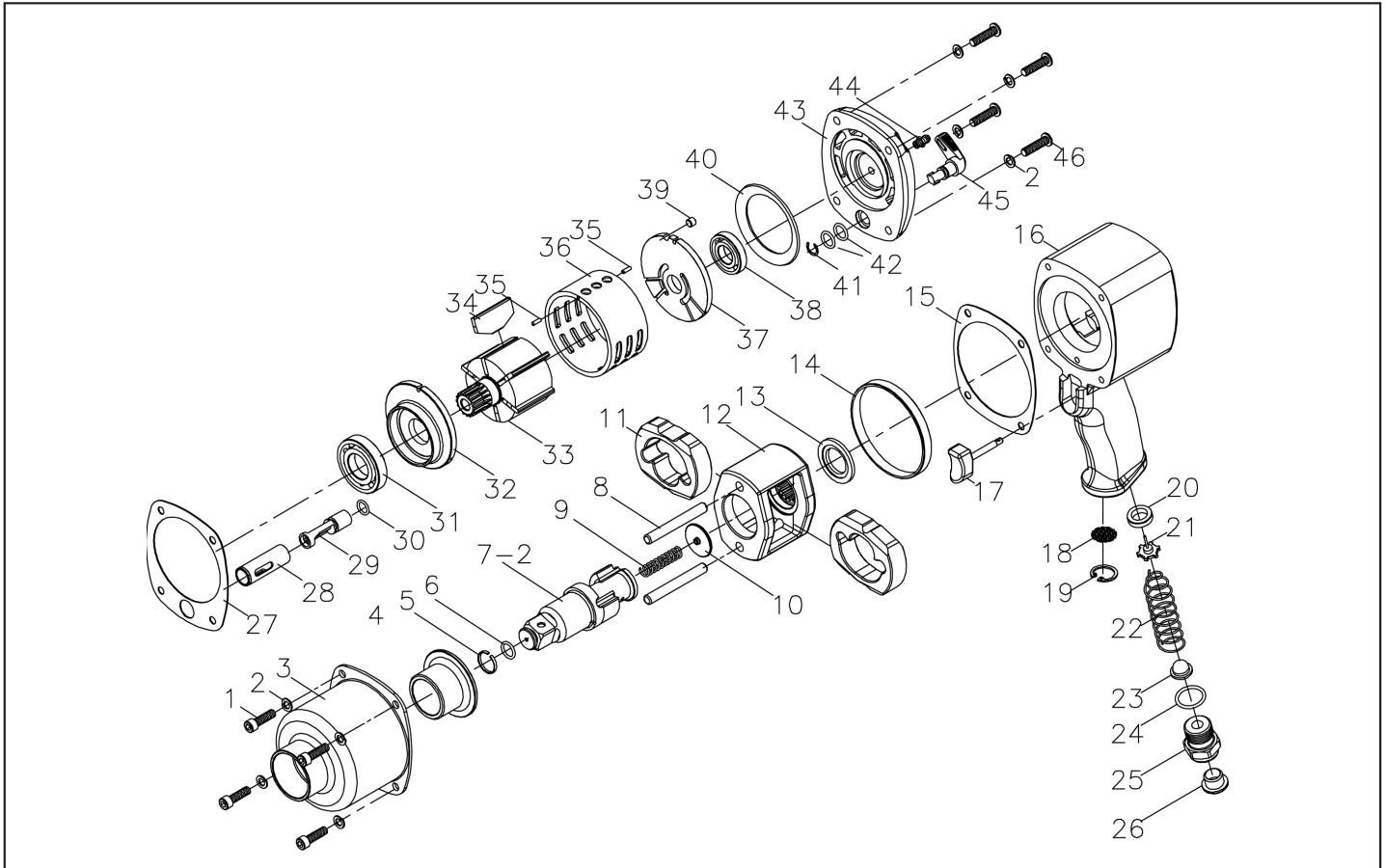




MICHIGAN PNEUMATIC TOOL, INC.

MP-2006-ST 3/4" Impact Wrench



Index	Part No.	Description	Qty.
1	B826102001000	Hex. Socket Head Bolt (S:W1/4"-L22")	4
2	B826143000000	Spring Washer (1/4")	8
3	B206032200190	Clutch Housing	1
4	B206017200100	Anvil Bushing	1
5	B826066280000	Anvil Collar	1
6	B826121800000	O-Ring	1
7	B206018240110	Anvil 111mm (Standard)	1
7-1	B206018241110	Anvil 236mm (Option)	1
7-2	B206018240101	Anvil Ring & Hole Type	1
8	B206020220100	Hammer Pin	2
9	B206062280000	Spring	1
10	B206152200100	Spring Base	1
11	B206021220100	Hammer Dog	2
12	B206019220100	Hammer Cage	1
13	B206057200100	Hammer Washer	1
14	B206033210110	Hammer Case Pilot	1
15	B206031000000	Front Gasket	1
16	B206001110920	Motor Housing	1
17	B206004750001	Trigger	1
18	B206038200110	Muffler Cover	1
19	B206136000000	Retaining Rings For Bores	1
20	B206006830000	Throttle Bushing	1
21	B206008150100	Valve Stem	1
22	B206009280001	Spring	1

Index	Part No.	Description	Qty.
23	B828053620000	Screen	1
24	B206118800000	O-Ring	1
25	B206010200110	Hose Fitting	1
26	B867067770000	Dust Cover	1
27	B206035000000	End Cap Gasket	1
28	B206002600100	Valve Sleeve	1
29	B206003710000	Reverse Valve	1
30	B206122800000	O-Ring	1
31	B206028000000	Ball Bearing (R-14)	1
32	B206027310100	Front End Plate	1
33	B206025220101	Rotor	1
34	B206026700000	Rotor Blade	6
35	B824131000000	Spring Pin	2
36	B206024220100	Cylinder	1
37	B206029310100	Rear End Plate	1
38	B206030000000	Ball Bearing (R-10)	1
39	B206132210100	Parallel Pin	1
40	B206065280100	Disc Spring	1
41	B206135001000	C-Ring	1
42	B206143741000	Washer	2
43	B206034111920	Rear Cover	1
44	B206051261000	Grease Fitting	1
45	B206014750100	Lever Reverse	1
46	B206102000000	Truss Head Hex. Socket Bolt (W: SCW435 S: W1/4"-L1")	4

10272015Rev4HMB | NP