



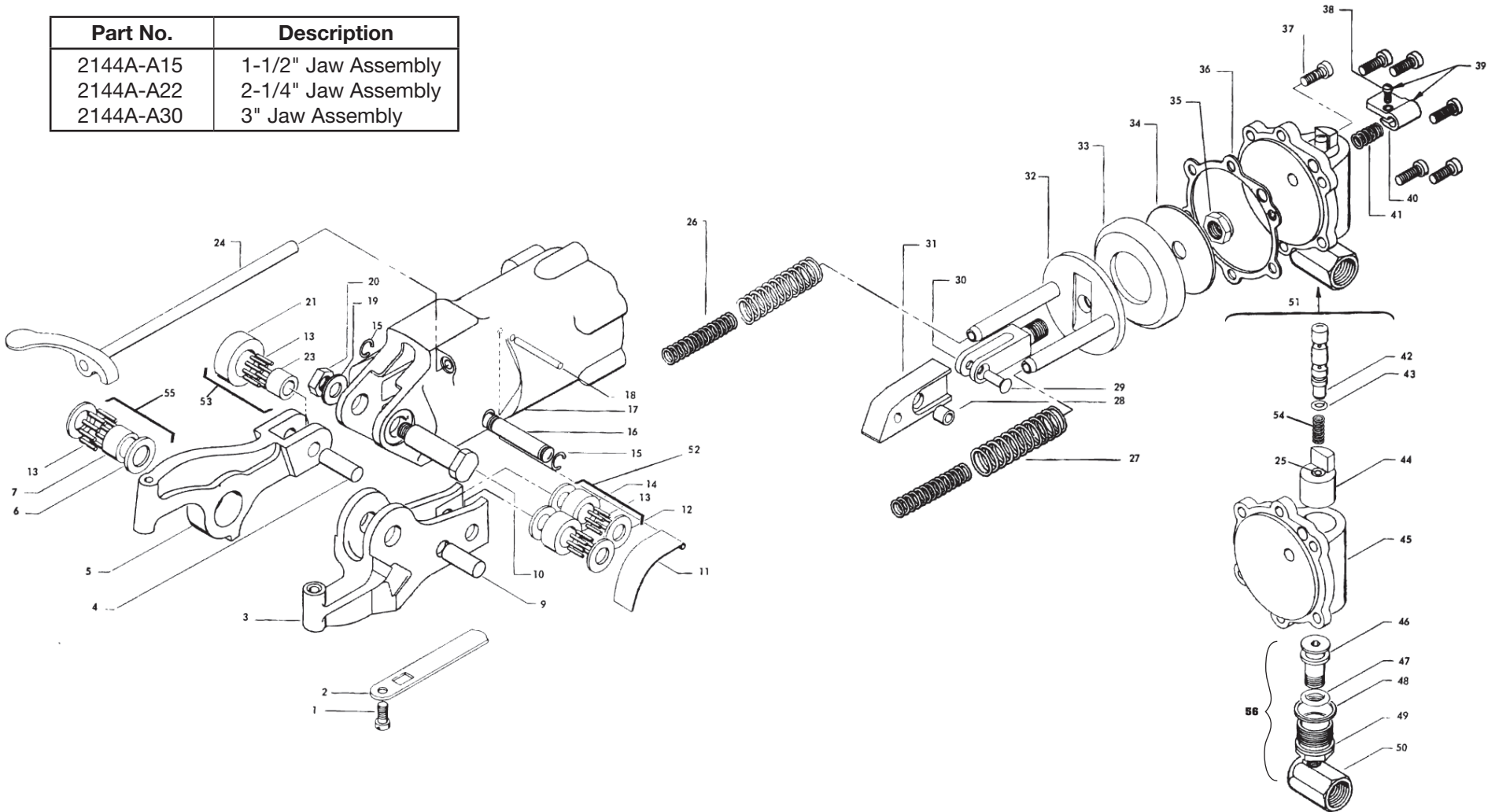
MICHIGAN PNEUMATIC TOOL, INC.

MP-2144A-112 Compression Riveter

MP-2144A-214 Compression Riveter

MP-2144A-3 Compression Riveter

Part No.	Description
2144A-A15	1-1/2" Jaw Assembly
2144A-A22	2-1/4" Jaw Assembly
2144A-A30	3" Jaw Assembly





MICHIGAN PNEUMATIC TOOL, INC.

MP-2144A-112 Compression Riveter

MP-2144A-214 Compression Riveter

MP-2144A-3 Compression Riveter

Index	Part No.	Description	Qty.
1	214428	Guard Screw	1
2	214485	Stationary Jaw Guard	1
3	2144A-A15S	Stationary Jaw	1
4	214479	End Roller Bearing Shaft	1
5	2144A-A15M	Moving Jaw	1
6	214484	Bearing Thrust Washer	2
7	214480	Center Bearing-Inner Race	1
9	214403	Roller Shaft, Short	1
10	214474	Bearing Bolt	1
11	214470	Return Spring	1
12	214405	Roller Thrust Washer	4
13	214406	Needle Roller	104
14	214407	Plate Roller	2
15	214460	Tru-Arc Retainer Ring	2
16	214454	Roller Shaft, Long	1
17	214483	Cylinder	1
18	214473	Return Spring Pin	1
19	214476	Bearing Bolt Washer	1
20	214475	Bearing Bolt Nut	1
21	214477	Bearing-Outer Race	1
23	214478	Bearing-Inner Race	1
24	214445	Throttle Valve Lever	1
25	214481	O-Ring	1
26	214443	Piston Return Spring-Inner	2
27	214442	Piston Return Spring-Outer	2
28	214439	Wedge Spacer	1
29	214438	Wedge Spacer Rivet	1

Index	Part No.	Description	Qty.
30	214437	Piston Fork, Long	1
31	214482	Wedge, Short	1
32	214436	Piston	1
33	214435	Piston Leather	1
34	214434	Piston Leather Plate	1
35	214433	Piston Rod Nut	1
36	214446	Cylinder Head Gasket	1
37	214447	Allen Cap Screw	6
38	214449	Screw	1
39	2144102	Lever Arm Assembly	1
40	214448	Lever Arm	1
41	214498	Lever Arm Spring	1
42	214457	Throttle Valve	1
43	214458	Throttle Valve O-Ring	1
44	214455	Throttle Valve Bushing	1
45	214456	Cylinder Head, Bare	1
46	214492	Swivel	1
47	214493	Swivel O-Ring	1
48	214494	Swivel Nut O-Ring	1
49	214495	Swivel Nut	1
50	214496	Elbow	1
51	2144103	Head Assembly	1
52	2144100	Plate Roller Assenbly	2
53	2144106	Moving Jaw Bearing Assembly	1
54	214471	Throttle Valve Spring	1
55	2144105	Pivot Bearing Assembly	1
56	2144122	Swivel Assembly	1