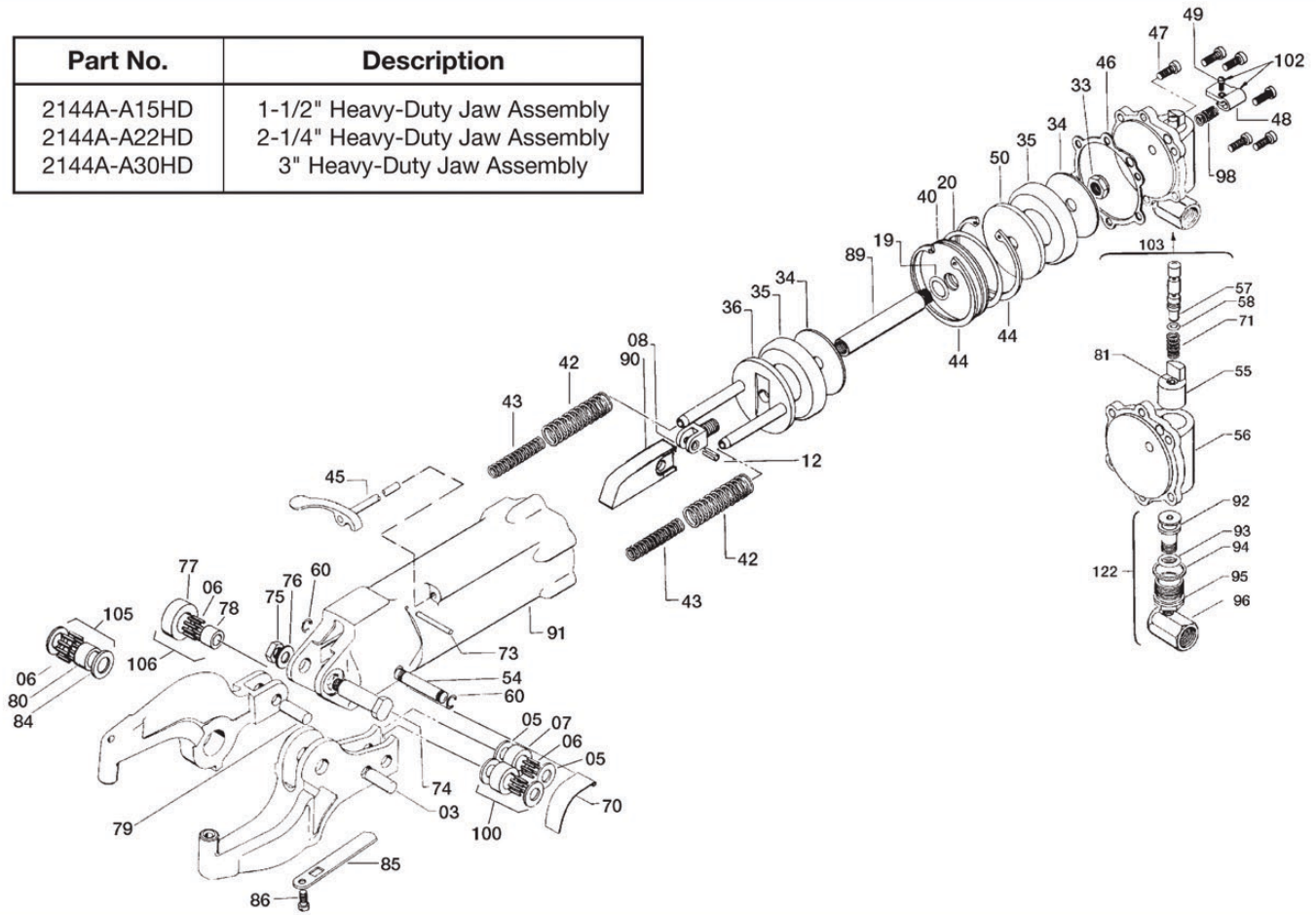




MICHIGAN PNEUMATIC TOOL, Inc.

MP-2144A-TAN Compression Riveter

Part No.	Description
2144A-A15HD	1-1/2" Heavy-Duty Jaw Assembly
2144A-A22HD	2-1/4" Heavy-Duty Jaw Assembly
2144A-A30HD	3" Heavy-Duty Jaw Assembly



Index	Part No.	Description	Qty.
3	214403	Roller Shaft	1
5	214405	Roller Thrust Washer	4
6	214406	Needle Roller	104
7	214407	Plate Roller	2
8	214408	Short Piston Fork	1
12	214412	Wedge Spacer Pin	1
19	214419	O-Ring	1
20	214420	O-Ring	1
33	214433	Piston Rod Nut	1
34	214434	Piston Leather Plate	2
35	214435	Piston Leather	2
36	214436	Piston	1
40	214440	Separator	1
42	214442	Outer Piston Return Spring	2
43	214443	Inner Piston Return Spring	2
44	214444	Retaining Ring	2
45	214445	Throttle Valve Lever	1
46	214446	Cylinder Head Gasket	1
47	214447	Allen Cap Screw	6
48	214448	Lever Arm	1
49	214449	Lever Arm Screw	1
50	214450	Tandem Piston	1
54	214454	Long Roller Shaft	1
55	214455	Throttle Valve Bushing	1
56	214456	Cylinder Valve	1
57	214457	Throttle Valve	1
58	214458	Throttle Valve O-Ring	1
60	214460	Tru-Arc Retainer Ring	2
70	214470	Return Spring	1

Index	Part No.	Description	Qty.
71	214471	Throttle Valve Spring	1
73	214473	Return Spring Pin	1
74	214474	Bearing Bolt	1
75	214475	Bearing Bolt Nut	1
76	214476	Bearing Bolt Washer	1
77	214477	Bearing Outer Race	1
78	214478	Bearing Inner Race	1
79	214479	End Roller Bearing Shaft	1
80	214480	Center Bearing Inner Race	1
81	214481	O-Ring	1
84	214484	Bearing Thrust Washer	2
85	214485	Stationary Jaw Guard	1
86	214428	Screw	1
89	214489	Piston Rod	1
90	214490	Long A-Type Wedge	1
91	214491	Tandem Cylinder	1
92	214492	Swivel	1
93	214493	Swivel O-Ring	1
94	214494	Swivel Nut O-Ring	1
95	214495	Swivel Nut	1
96	214496	Elbow	1
98	214498	Lever Arm Spring	1
100	2144100	Plate Roller Assembly	2
102	2144102	Lever Arm Assembly	1
103	2144103	Head Assembly	1
105	2144105	Pivot Bearing Assembly	1
106	2144106	Moving Jaw Bearing Assembly	1
122	2144122	Swivel Assembly	1