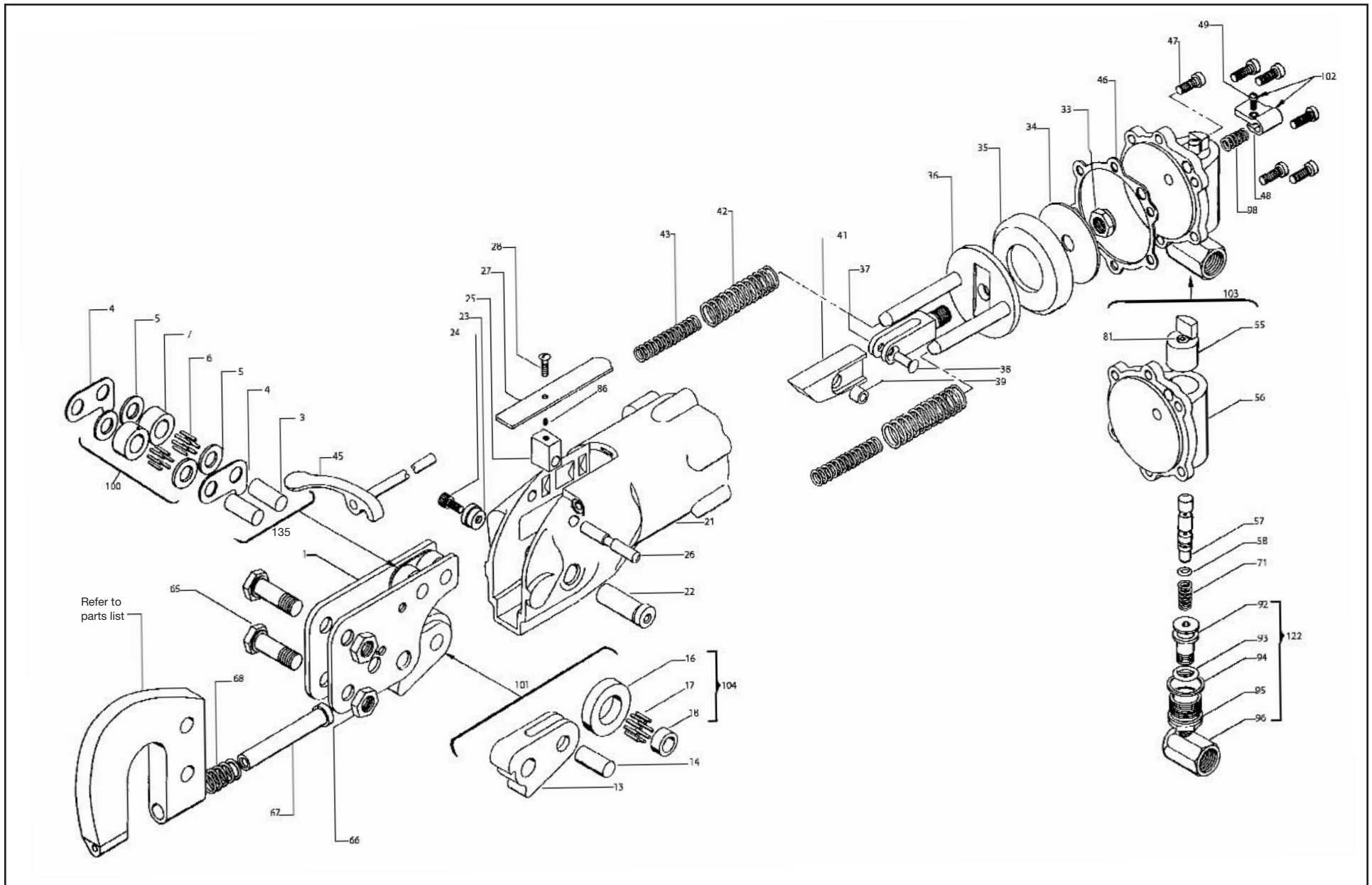




MICHIGAN PNEUMATIC TOOL, INC.

MP-2144C Compression Riveter



6850 Middlebelt Rd. • Romulus, MI 48174 • 1-800-521-8104 • Ph: (313) 933-5890 • Fax: (313) 933-0440

www.michiganpneumatic.com • e-mail: mpt@michiganpneumatic.com



MICHIGAN PNEUMATIC TOOL, INC.

MP-2144C Compression Riveter

Index	Part No.	Description	Qty.
1	214401	Yoke Frame Plate	2
3	214403	Roller Shaft	2
4	214404	Wedge Guide Plate	2
5	214405	Roller Thrust Washer	4
6	214406	Needle Roller	40
7	214407	Plate Roller	2
13	214413	Set Holder Lever	1
14	214414	Lever Bearing Shaft	1
16	214416	Lever Bearing Outer Race	1
17	214417	Needle Roller	25
18	214418	Lever Bearing Inner Race	1
21	214421	Cylinder (30C)	1
22	214422	Lever Shaft	1
23	214423	Lever Shaft Washer	1
24	214424	Lever Shaft Screw	1
25	214425	Spacer Block	1
26	214426	Spacer Block Pin	1
27	214427	Guard	1
28	214428	Guard Screw	1
33	214433	Piston Rod Nut	1
34	214434	Piston Leather Plate	1
35	214435	Piston Leather	1
36	214436	Piston	1
37	214437	Piston Fork (Long)	1
38	214438	Wedge Spacer Rivet	1
39	214439	Wedge Spacer	1
41	214441	Wedge Short "C"	1
42	214442	Piston Return Spring, Outer	2
43	214443	Piston Return Spring, Inner	2

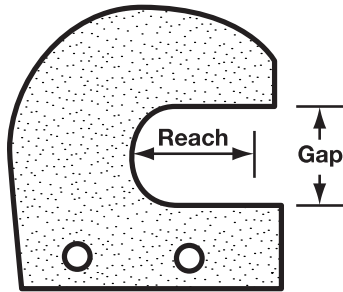
Index	Part No.	Description	Qty.
45	214445	Throttle Valve Lever	1
46	214446	Cylinder Head Gasket	1
47	214447	Allen Cap Screw	6
48	214448	Lever Arm	1
49	214449	Screw	1
55	214455	Throttle Valve Bushing	1
56	214456	Cylinder Valve	1
57	214457	Throttle Valve	1
58	214458	"O" Ring	1
65	214465	Yoke Bolt	2
66	214466	Yoke Bolt Nut	2
67	214467	Set Holder	1
68	214468	Set Holder Spring	1
71	214471	Throttle Valve Spring	1
81	214481	"O" Ring (Brass Bushing)	1
86	214486	Screw	1
92	214492	Swivel	1
93	214493	"O" Ring (Swivel)	1
94	214494	"O" Ring (Swivel Nut)	1
95	214495	Swivel Nut	1
96	214496	Elbow	1
98	214498	Throttle Lever Spring	1
100	2144100	Plate Roller Ass'y	1
101	2144101	Set Holder Lever Assembly	1
102	2144102	Lever Arm Assembly	1
103	2144103	Head Assembly	1
104	2144104	Lever Bearing Assembly	1
122	2144122	Swivel Assembly	1
135	2144135	Stationary Roller Assembly	1



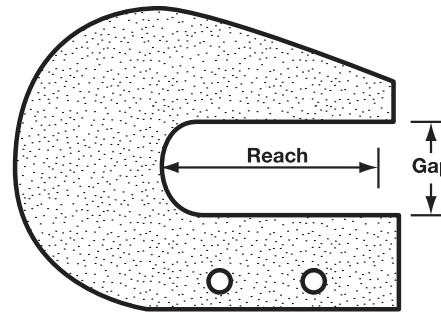
MICHIGAN PNEUMATIC TOOL, INC.

MP-2144C-TAN Compression Riveter

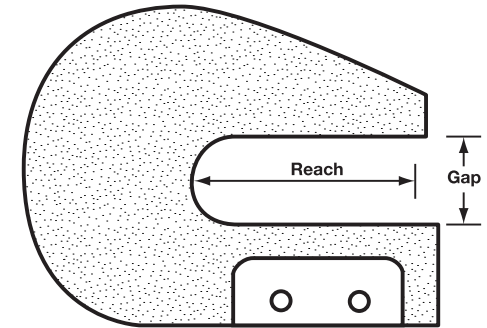
“C” yokes to fit MP-2144C series compression riveters



No.	Reach	Gap
001	1-1/2"	1-1/4"
002	2"	1-1/4"
003	2-1/2"	1-3/8"
004	3"	1-3/8"
005	2-3/4"	1-3/16"
006	1-3/4"	1-1/4"
007	1-3/16"	1-3/16"



Deep-Throat Model		
No.	Reach	Gap
008	3-7/8"	1-3/16"
009	5-5/8"	1-3/16"
010	5-3/8"	1-1/4"



Heavy-Duty Model		
No.	Reach	Gap
011	2-1/2"	2"
012	3"	1-1/2"
013	3"	3"
014	3"	3-1/2"
015	3-1/2"	2"