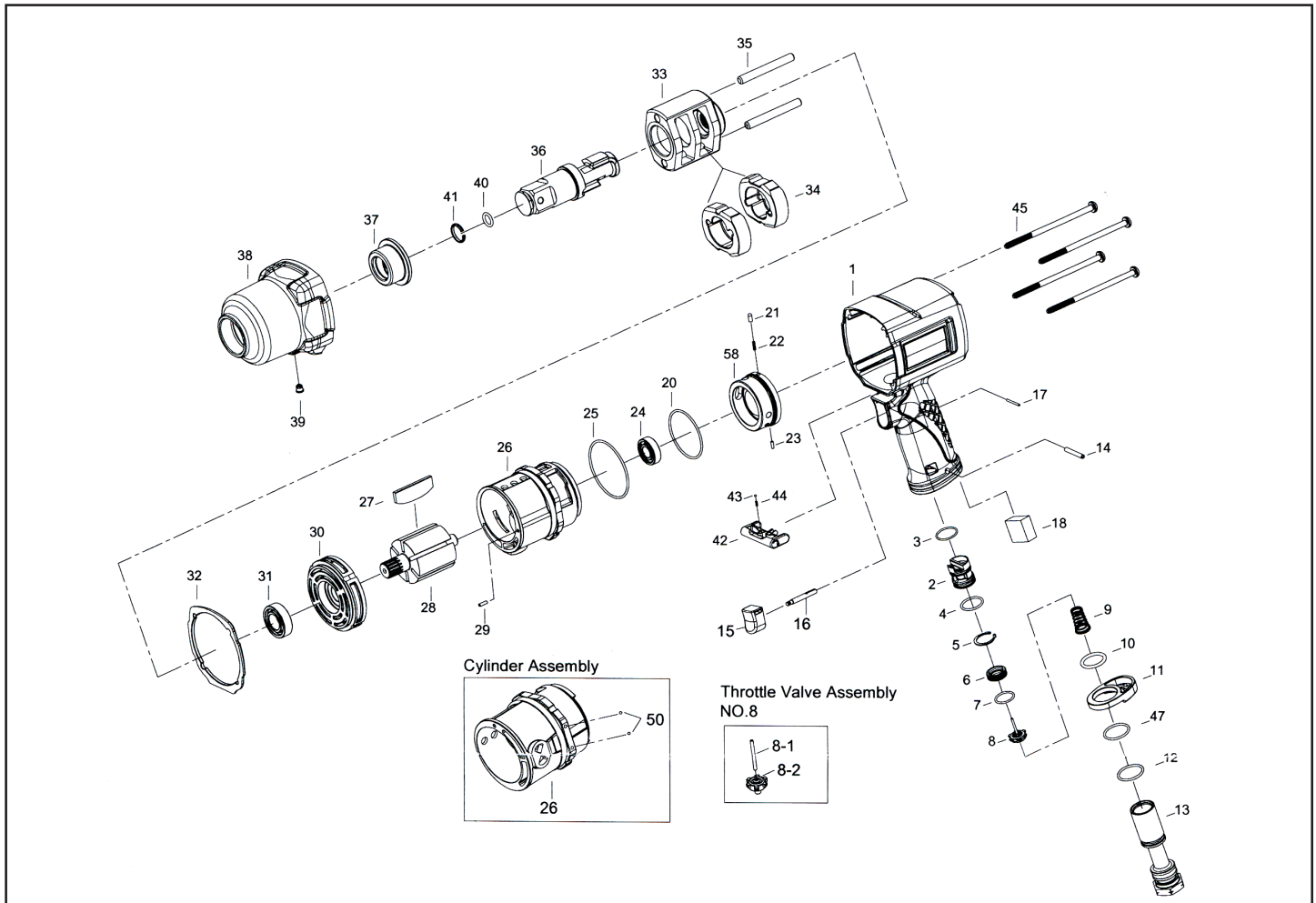




MICHIGAN PNEUMATIC TOOL, INC.

MP-2148QR 1" Impact Wrench



Index	Part No.	Description	Qty.
1	2148QR-1	Motor Housing	1
2	2148QR-2	Reverse Valve	1
3	2148QR-3	O-Ring	1
4	2148QR-4	O-Ring	1
5	2148QR-5	Retainer	1
6	2148QR-6	Throttle Valve Seat	1
7	2148QR-7	O-Ring	1
8	2148QR-8	Throttle Valve Assembly	1
8-1	2148QR-8-1	Throttle Valve Pin	1
8-2	2148QR-8-2	Throttle Valve	1
9	2148QR-9	Throttle Valve Spring	1
10	2148QR-10	O-Ring	1
11	2148QR-11	Exhaust Deflector	1
12	2148QR-12	O-Ring	1
13	2148QR-13	Air Inlet	1
14	2148QR-14	Spring Pin	1
15	2148QR-15	Trigger Assembly	1
16	2148QR-16	Trigger Pin	1
17	2148QR-17	Spring Pin	1
18	2148QR-18	Muffler Element	1
20	2148QR-20	O-Ring	1
21	2148QR-21	Pin	1
22	2148QR-22	Spring	1
23	2148QR-23	Spring Pin	1
24	2148QR-24	Ball Bearing	1

Index	Part No.	Description	Qty.
25	2148QR-25	O-Ring	1
26	2148QR-26	Cylinder Assembly	1
27	2148QR-27	Rotor Blade	6
28	2148QR-28	Rotor	1
29	2148QR-29	Spring Pin	1
30	2148QR-30	Front End Plate	1
31	2148QR-31	Ball Bearing	1
32	2148QR-32	Hammer Case Gasket	1
33	2148QR-33	Hammer Frame	1
34	2148QR-34	Hammer	2
35	2148QR-35	Hammer Pin	2
36	2148QR-36	Standard Anvil	1
37	2148QR-37	Bushing	1
38	2148QR-38	Hammer Case Assembly	1
39	2148QR-39	Grease Fitting	1
40	2148QR-40	O-Ring	1
41	2148QR-41	Retainer	1
42	2148QR-42	Reverse Knob	1
43	2148QR-43	Steel Ball	1
44	2148QR-44	Spring	1
45	2148QR-45	Screw	4
47	2148QR-47	O-Ring	1
50	2148QR-50	Steel Ball	2
58	2148QR-58	Reverse Valve Knob	1
TK	Tune-Up Kit (incl. 3, 4, 5, 7, 10, 12, 18, 20, 22, 25, 27 (6) 32, 40, 41, 43, 44)		

101302017Rev2MME | NP