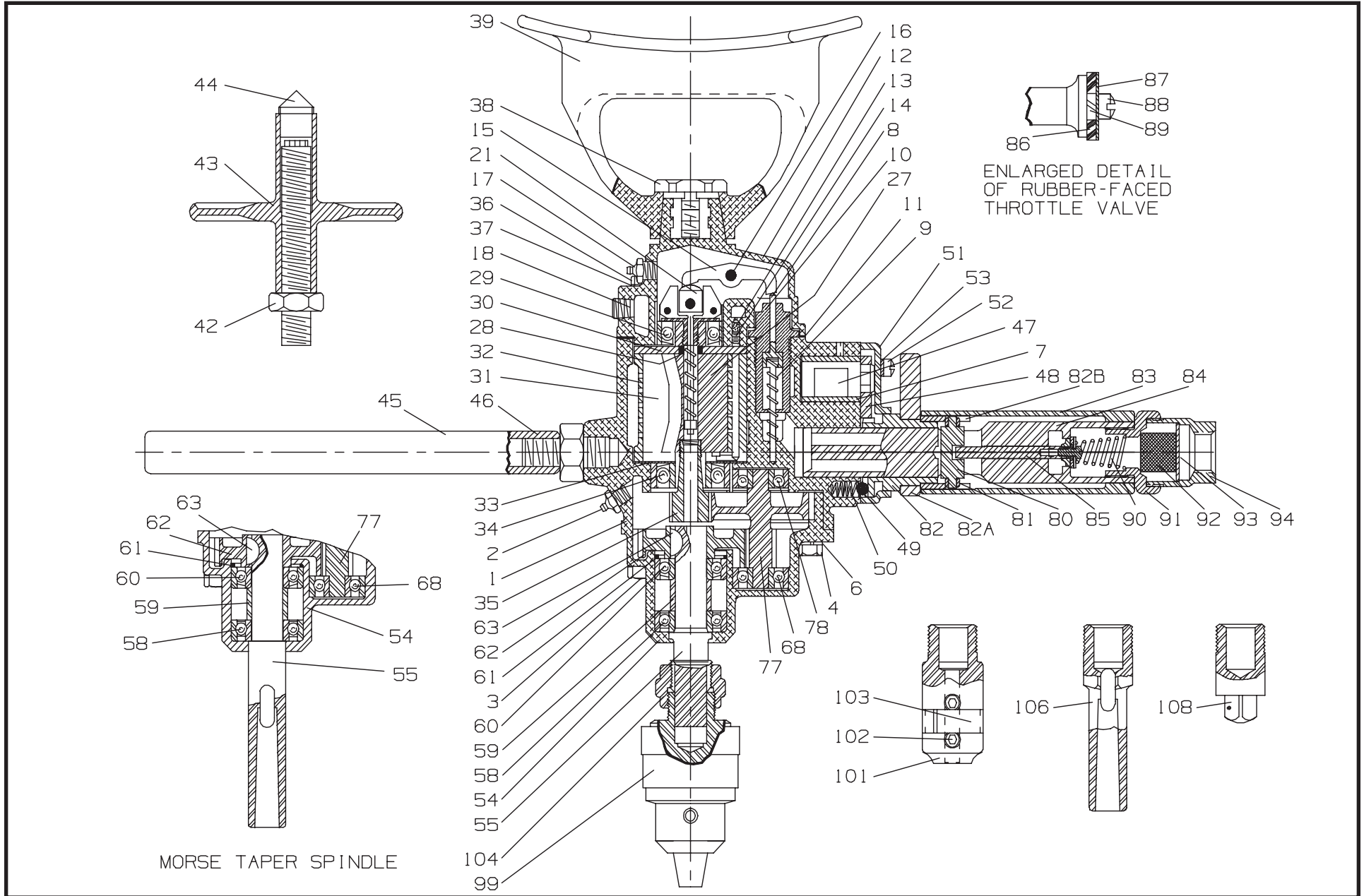




# MICHIGAN PNEUMATIC TOOL, INC.

## MP-222 Drill Motor





**MICHIGAN PNEUMATIC TOOL, INC.**

**MP-222 Drill Motor**

Index	Part No.	Description	Qty.
1	R22N-40	Motor Housing	1
2	23-188	Grease Fitting	1
3	R22H-68	Housing Long Cap Screw	4
4	R3-7	Housing Short Cap Screw	2
6	8U-58	Lock Washer	6
7	R22H-330	Reverse Valve Bushing	1
8	R3H-425	Governor Valve	1
9	503-431	Governor Valve Spring	1
10	R22H-429	Governor Valve Bushing	1
-	R22H-210	Air Port Gasket	2
11	R22H-283	Backhead Gasket	1
12	R22H-102	Backhead	1
13	R1-75	Oiler Felt	2
14	R1-71A	Oiler Adjusting Screw	2
15	R22H-436	Governor Lever	1
16	T22-306	Governor Lever Pin	1
17	23-188	Grease Fitting	1
18	R2-227	Oil Chamber Plug	1
21	R2XJ-A424	Governor Assembly	1
27	R22H-K53	Rotor	1
28	R2H-65	Rotor Bearing Spacer	1
29	R2-22	Rear Rotor Bearing	1
30	R22H-12	Rear End Plate	1
31	R2-42B-5	Vane Packet	5
32	R22H-3	Cylinder	1
-	R22H-98	Cylinder Dowel	1
33	R22H-11	Front End Plate	1
34	R2-24A	Front Rotor Bearing	1
35	R2J-17	Rotor Pinion (15 teeth, J, K)	1
-	R2M-17A	Rotor Pinion (9 teeth, M)	1
36	R22H-68	Backhead Cap Screw	6
37	8U-58	Backhead Cap Screw Lock Washer	6
38	T15-278	Breast Plate Screw	1
39	R22H-79	Breast Plate	1
-	T04-A3	Feed Screw Assembly	1
42	T04-3	Feed Screw	1
43	T05-2A	Feed Handle	1
44	T05-244A	Feed Handle Center	1
45	R2K-48	Dead Handle	1
46	R2K-364A	Dead Handle Stud	1
47	R22H-329	Reverse Valve	1
48	TCC-428	Reverse Valve Sector	1
49	R22H-491	Stop Pin	1
50	5UT-759	Stop Pin Spring	1
51	TCC-429A	Sector Cover	1
52	TCC-430	Sector Cover Screw	4
53	T05-58	Sector Cover Screw Lock Washer	4
-	TCCW-433	Throttle Body Set Screw	1
-	D02-537	Throttle Body Set Screw Lock Washer	1
54	RM2J-37	Gear Case (#2 Morse Taper, J, K, M)	1
-	R2M-137	Gear Case (#3 Morse Taper, M)	1
-	R22J-A8	Stub Taper Spindle Assembly (J)	1
-	R22K-A8	Stub Taper Spindle Assembly (K, M)	1

Index	Part No.	Description	Qty.
-	R2H-A108	#2 Morse Taper Spindle Assembly (J)	1
-	R2M-A108	#2 Morse Taper Spindle Assembly (K, M)	1
-	R2M-A208	#3 Morse Taper Spindle Assembly (M)	1
55	R22H-8	Stub Taper Spindle (J, K, M)	1
-	R2M-108	#2 Morse Taper Spindle (J, K, M)	1
-	R2M-208	#3 Morse Taper Spindle (M)	1
58	R2H-510	Spindle Bearing	1
59	R2H-111	Spindle Bearing Spacer	1
60	R2H-97	Thrust Bearing	1
61	R2H-118	Bearing Retainer	1
62	R2K-9	Spindle Gear (K, M)	1
-	R2J-9	Spindle Gear (J)	1
63	TC-18	Spindle Gear Key	1
68	T06-33	Intermediate Gear Front Bearing	1
77	R2J-82	Intermediate Gear (13/45 teeth, J)	1
-	R2K-82	Intermediate Gear (10/45 teeth, K)	1
-	R2M-82A	Intermediate Gear (9/50 teeth, M)	1
78	R1L-24	Intermediate Gear Rear Bearing	1
-	R22H-A518-2	Throttle Assembly	1
80	TCC-306B	Throttle Valve Lift Pin	1
81	TAA-426	Throttle Valve Lift Pin Roller	2
82	TCC-437A	Throttle Sector	1
82A	R55H-314	Reverse Lever	1
-	R2J-561	Reverse Lever Set Screw	2
82B	22MA2-317	Throttle Cam	1
83	TCCL-360	Throttle Sleeve	1
84	22B518-409	Throttle Body	1
85	R3H-402	Rubber-Faced Throttle Valve	1
86	8000-159A	Throttle Valve Face	1
87	8000-157	Throttle Valve Face Cap	1
88	R4-158	Throttle Valve Face Retaining Screw	1
89	H54U-352	Retaining Screw Lock Washer	1
90	TAA-418	Throttle Valve Spring	1
-	R4H-A565	Air Strainer Assembly	1
91	R4H-566	Air Strainer Cap	1
92	R3H-61	Air Strainer Screen	1
93	R3H-567	Air Strainer Screen Support	1
94	R22H-565	Air Strainer Body	1
98	T05-365	Suspension Ring	1
99	DE-99C	Drill Chuck	1
-	K32	Drill Chuck Key	1
101	R22W-151	Wood Bit Chuck	1
102	R33W-150	Wood Bit Chuck Screw	2
103	R33W-149	Chuck Screw Retainer	1
-	K-27	Wood Bit Chuck Wrench	1
104	DE-347A	Chuck Nut	1
106	DE-323A-1	#1 Morse Taper Socket	1
-	DE-323A-2	#2 Morse Taper Socket	1
-	DE-323A-3	#3 Morse Taper Socket	1
108	DE-215A	1/2" Sq. Drive Socket Adapter	1
-	DE-215B	5/8" Sq. Drive Socket Adapter	1
-	A01-46	Hose Nipple	1

05182016Rev2HMB | RF