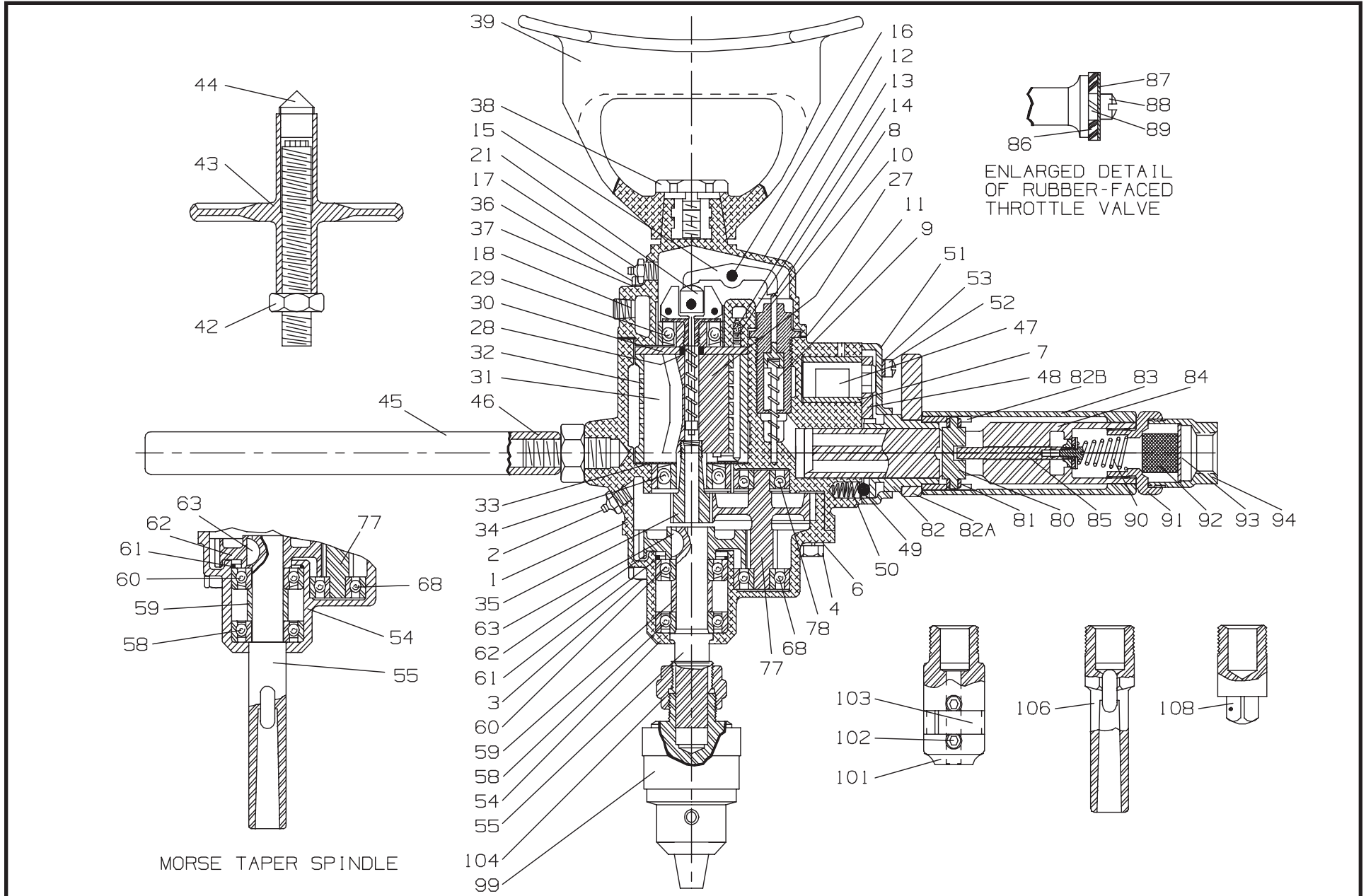




# MICHIGAN PNEUMATIC TOOL, INC.

## MP-222 Drill Motor





**MICHIGAN PNEUMATIC TOOL, INC.**

**MP-222 Drill Motor**

| Index | Part No.  | Description                         | Qty. |
|-------|-----------|-------------------------------------|------|
| 1     | R22N-40   | Motor Housing                       | 1    |
| 2     | 23-188    | Grease Fitting                      | 1    |
| 3     | R22H-68   | Housing Long Cap Screw              | 4    |
| 4     | R3-7      | Housing Short Cap Screw             | 2    |
| 6     | 8U-58     | Lock Washer                         | 6    |
| 7     | R22H-330  | Reverse Valve Bushing               | 1    |
| 8     | R3H-425   | Governor Valve                      | 1    |
| 9     | 503-431   | Governor Valve Spring               | 1    |
| 10    | R22H-429  | Governor Valve Bushing              | 1    |
| -     | R22H-210  | Air Port Gasket                     | 2    |
| 11    | R22H-283  | Backhead Gasket                     | 1    |
| 12    | R22H-102  | Backhead                            | 1    |
| 13    | R1-75     | Oiler Felt                          | 2    |
| 14    | R1-71A    | Oiler Adjusting Screw               | 2    |
| 15    | R22H-436  | Governor Lever                      | 1    |
| 16    | T22-306   | Governor Lever Pin                  | 1    |
| 17    | 23-188    | Grease Fitting                      | 1    |
| 18    | R2-227    | Oil Chamber Plug                    | 1    |
| 21    | R2XJ-A424 | Governor Assembly                   | 1    |
| 27    | R22H-K53  | Rotor                               | 1    |
| 28    | R2H-65    | Rotor Bearing Spacer                | 1    |
| 29    | R2-22     | Rear Rotor Bearing                  | 1    |
| 30    | R22H-12   | Rear End Plate                      | 1    |
| 31    | R2-42B-5  | Vane Packet                         | 5    |
| 32    | R22H-3    | Cylinder                            | 1    |
| -     | R22H-98   | Cylinder Dowel                      | 1    |
| 33    | R22H-11   | Front End Plate                     | 1    |
| 34    | R2-24A    | Front Rotor Bearing                 | 1    |
| 35    | R2J-17    | Rotor Pinion (15 teeth, J, K)       | 1    |
| -     | R2M-17A   | Rotor Pinion (9 teeth, M)           | 1    |
| 36    | R22H-68   | Backhead Cap Screw                  | 6    |
| 37    | 8U-58     | Backhead Cap Screw Lock Washer      | 6    |
| 38    | T15-278   | Breast Plate Screw                  | 1    |
| 39    | R22H-79   | Breast Plate                        | 1    |
| -     | T04-A3    | Feed Screw Assembly                 | 1    |
| 42    | T04-3     | Feed Screw                          | 1    |
| 43    | T05-2A    | Feed Handle                         | 1    |
| 44    | T05-244A  | Feed Handle Center                  | 1    |
| 45    | R2K-48    | Dead Handle                         | 1    |
| 46    | R2K-364A  | Dead Handle Stud                    | 1    |
| 47    | R22H-329  | Reverse Valve                       | 1    |
| 48    | TCC-428   | Reverse Valve Sector                | 1    |
| 49    | R22H-491  | Stop Pin                            | 1    |
| 50    | 5UT-759   | Stop Pin Spring                     | 1    |
| 51    | TCC-429A  | Sector Cover                        | 1    |
| 52    | TCC-430   | Sector Cover Screw                  | 4    |
| 53    | T05-58    | Sector Cover Screw Lock Washer      | 4    |
| -     | TCCW-433  | Throttle Body Set Screw             | 1    |
| -     | D02-537   | Throttle Body Set Screw Lock Washer | 1    |
| 54    | RM2J-37   | Gear Case (#2 Morse Taper, J, K, M) | 1    |
| -     | R2M-137   | Gear Case (#3 Morse Taper, M)       | 1    |
| -     | R22J-A8   | Stub Taper Spindle Assembly (J)     | 1    |
| -     | R22K-A8   | Stub Taper Spindle Assembly (K, M)  | 1    |

| Index | Part No.    | Description                            | Qty. |
|-------|-------------|--|------|
| -     | R2H-A108    | #2 Morse Taper Spindle Assembly (J)    | 1    |
| -     | R2M-A108    | #2 Morse Taper Spindle Assembly (K, M) | 1    |
| -     | R2M-A208    | #3 Morse Taper Spindle Assembly (M)    | 1    |
| 55    | R22H-8      | Stub Taper Spindle (J, K, M)           | 1    |
| -     | R2M-108     | #2 Morse Taper Spindle (J, K, M)       | 1    |
| -     | R2M-208     | #3 Morse Taper Spindle (M)             | 1    |
| 58    | R2H-510     | Spindle Bearing                        | 1    |
| 59    | R2H-111     | Spindle Bearing Spacer                 | 1    |
| 60    | R2H-97      | Thrust Bearing                         | 1    |
| 61    | R2H-118     | Bearing Retainer                       | 1    |
| 62    | R2K-9       | Spindle Gear (K, M)                    | 1    |
| -     | R2J-9       | Spindle Gear (J)                       | 1    |
| 63    | TC-18       | Spindle Gear Key                       | 1    |
| 68    | T06-33      | Intermediate Gear Front Bearing        | 1    |
| 77    | R2J-82      | Intermediate Gear (13/45 teeth, J)     | 1    |
| -     | R2K-82      | Intermediate Gear (10/45 teeth, K)     | 1    |
| -     | R2M-82A     | Intermediate Gear (9/50 teeth, M)      | 1    |
| 78    | R1L-24      | Intermediate Gear Rear Bearing         | 1    |
| -     | R22H-A518-2 | Throttle Assembly                      | 1    |
| 80    | TCC-306B    | Throttle Valve Lift Pin                | 1    |
| 81    | TAA-426     | Throttle Valve Lift Pin Roller         | 2    |
| 82    | TCC-437A    | Throttle Sector                        | 1    |
| 82A   | R55H-314    | Reverse Lever                          | 1    |
| -     | R2J-561     | Reverse Lever Set Screw                | 2    |
| 82B   | 22MA2-317   | Throttle Cam                           | 1    |
| 83    | TCCL-360    | Throttle Sleeve                        | 1    |
| 84    | 22B518-409  | Throttle Body                          | 1    |
| 85    | R3H-402     | Rubber-Faced Throttle Valve            | 1    |
| 86    | 8000-159A   | Throttle Valve Face                    | 1    |
| 87    | 8000-157    | Throttle Valve Face Cap                | 1    |
| 88    | R4-158      | Throttle Valve Face Retaining Screw    | 1    |
| 89    | H54U-352    | Retaining Screw Lock Washer            | 1    |
| 90    | TAA-418     | Throttle Valve Spring                  | 1    |
| -     | R4H-A565    | Air Strainer Assembly                  | 1    |
| 91    | R4H-566     | Air Strainer Cap                       | 1    |
| 92    | R3H-61      | Air Strainer Screen                    | 1    |
| 93    | R3H-567     | Air Strainer Screen Support            | 1    |
| 94    | R22H-565    | Air Strainer Body                      | 1    |
| 98    | T05-365     | Suspension Ring                        | 1    |
| 99    | DE-99C      | Drill Chuck                            | 1    |
| -     | K32         | Drill Chuck Key                        | 1    |
| 101   | R22W-151    | Wood Bit Chuck                         | 1    |
| 102   | R33W-150    | Wood Bit Chuck Screw                   | 2    |
| 103   | R33W-149    | Chuck Screw Retainer                   | 1    |
| -     | K-27        | Wood Bit Chuck Wrench                  | 1    |
| 104   | DE-347A     | Chuck Nut                              | 1    |
| 106   | DE-323A-1   | #1 Morse Taper Socket                  | 1    |
| -     | DE-323A-2   | #2 Morse Taper Socket                  | 1    |
| -     | DE-323A-3   | #3 Morse Taper Socket                  | 1    |
| 108   | DE-215A     | 1/2" Sq. Drive Socket Adapter          | 1    |
| -     | DE-215B     | 5/8" Sq. Drive Socket Adapter          | 1    |
| -     | A01-46      | Hose Nipple                            | 1    |

05182016Rev2HMB | RF