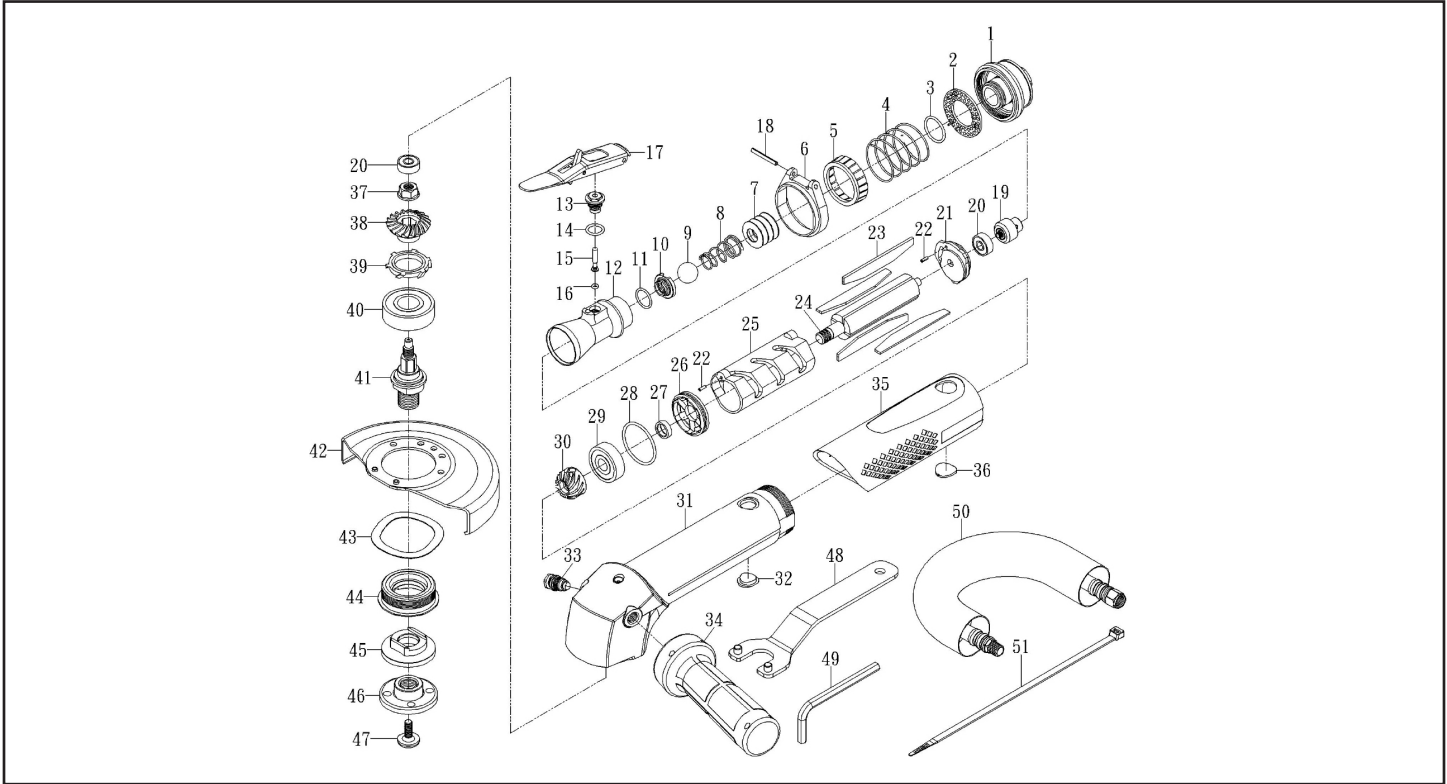




MICHIGAN PNEUMATIC TOOL, INC.

MP-2300 Series Angle Grinders and Sanders



Index	Part No.	Description	Qty.
1	2312-1	Adapter	1
2	2312-2	Silencer	1
3	2312-3	O-Ring	1
4	2312-4	O-Ring	1
5	2312-5	Spring	1
6	2312-6	Valve	1
7	2312-7	Disc Spring	1
8	2312-8	Spring	1
9	2312-9	Ball	1
10	2312-10	Valve Seat	1
11	2312-11	O-Ring	1
12	2312-12	Valve Body	1
13	2312-13	Bushing	1
14	2312-14	O-Ring	1
15	2312-15	Valve Pin	1
16	2312-16	O-Ring	1
17	2312-17	Safety Lever	1
18	2312-18	Pin	1
19	2312-19	12,000 rpm Governor	1
	2312-19A	13,500 rpm Governor	1
	2312-19B	10,000 rpm Governor	1
	2312-19C	7,500 rpm Governor	1
20	2312-20	Bearing	2
21	2312-21	Rear End Plate	1
22	2312-22	Pin	2
23	2312-23	Blade	4
24	2312-24	Rotor	1
25	2312-25	Cylinder	1
26	2312-26	Front End Plate	1
27	2312-27	Plate Spacer	1

Index	Part No.	Description	Qty.
28	2312-28	O-Ring	1
29	2312-29	Bearing	1
30	2312-30	Bevel Gear	1
	2312-30C/2312-38C	Bevel Gear Set (7500 rpm)	1
31	2312-31	Housing	1
32	2312-32	Cover	1
33	2312-33	Stopfinger Complete	1
34	2312-34	Vibration-Damp Handle	1
35	2312-35	Housing Cover	1
36	2312-36	External Cover	1
37	2312-37	Nut	1
38	2312-38	Bevel Gear	1
	2312-30C/2312-38C	Bevel Gear Set (7500 rpm)	1
39	2312-39	Deflector	1
40	2312-40	Bearing	1
41	2312-41A	Grinder Spindle Short	1
	2312-41B	Sander Spindle Long	1
42	2312-42A	Disc Cover 5"	1
	2312-42B	Disc Cover 4.5"	1
	2312-42C	Disc Cover 4"	1
43	2312-43	Washer	1
44	2312-44A	Grinder Plug Short	1
	2312-44B	Sander Plug Long	1
45	2312-45	Rear Flange	1
46	2312-46	Front Flange	1
47	2312-47	Safety Screw	1
48	2312-48	Pin Wrench	1
49	2312-49	Hexagon Wrench	1
50	2312-50	Exhaust Hose	1
51	2312-51	Hose Clamp	2