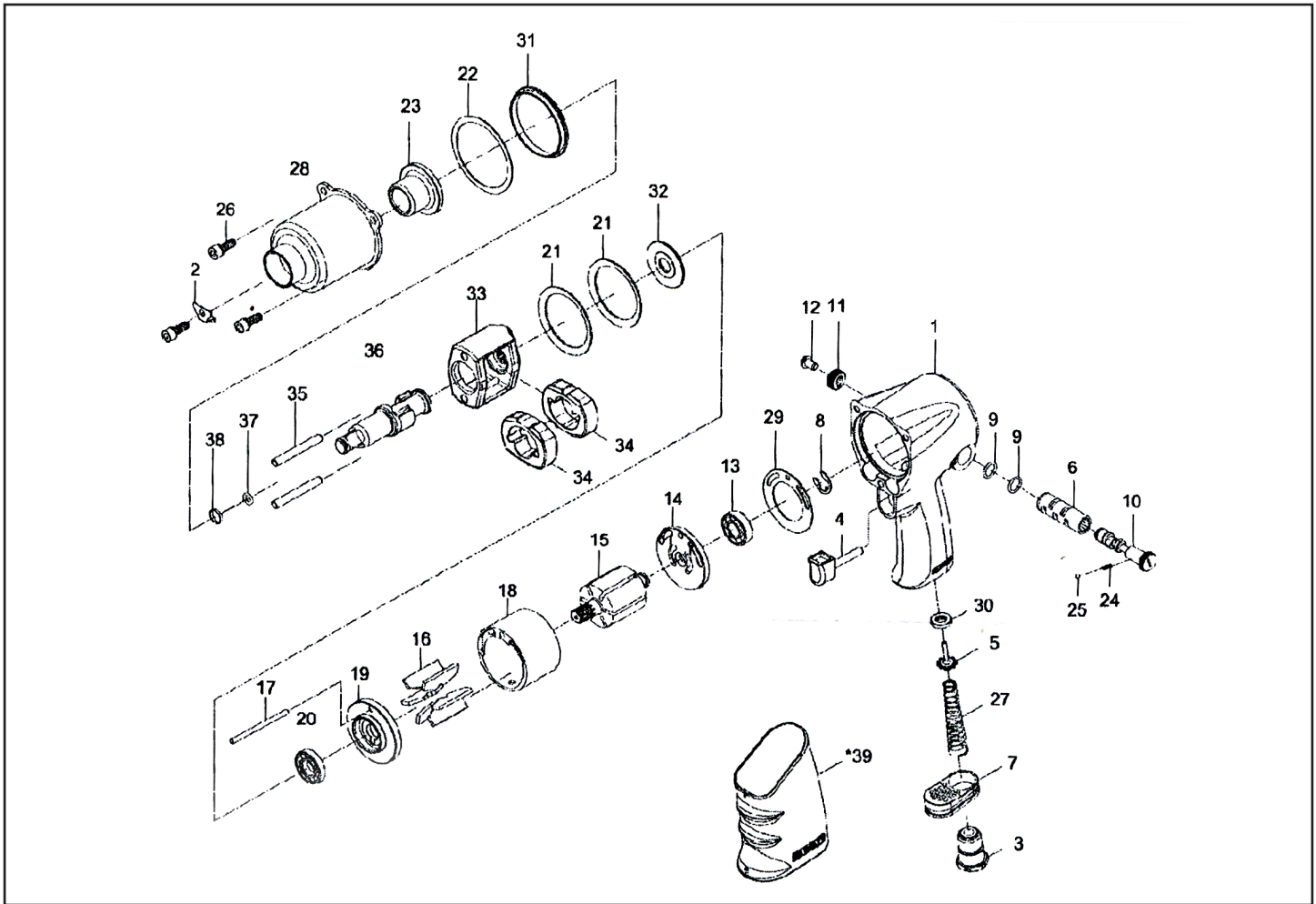




MICHIGAN PNEUMATIC TOOL, INC.

MP-2315-HE 1/2" Impact Wrench



Index	Part No.	Description	Qty.
1	43-231H01	Motor Housing	1
2	43-231H11	Trigger Fixture	1
3	43-231H03	Air Inlet	1
4	43-231H04	Trigger	1
5	43-403348	Throttle Valve Stem	1
6	43-231F06	Reverse Valve Bushing	1
7	43-231H10	Exhaust Diffuser	1
8	70129	E-Ring (ETW10)	1
9	OR01008108	O-Ring (10.8 x 1.8)	2
10	43-231F10	Reverse Valve	1
11	43-231F12	Reverse Valve Knob	1
12	43-231F11	Screw (1/4"-20UNC)	1
13	040313	Ball Bearing (6001)	1
14	43-231F14	Rear End Plate	1
15	43-231F15	Rotor	1
16	43-231F16	Rotor Blade	6
17	43-231H13	Pin (4 x 02)	1
18	43-231F18	Cylinder	1
19	43-231F19	Front End Plate	1
20	072021	Ball Bearing (EE4)	1

Index	Part No.	Description	Qty.
21	43-231F13	Disc Springs	2
22	43-231F26	Hammer Cage Gasket	1
23	43-231F25	Hammer Cage Bushing	1
24	43-231H34	Spring	1
25	40145	Steel Ball (1/8")	1
26	43-231F23	Screw (M6 x 18)	3
27	43-231H47	Valve Spring	1
28	43-231F20	Hammer Case	1
29	43-231F17	End Plate Gasket	1
30	43-231H07	Rubber Spacer	1
31	43-231F27	Hammer Case Pilot	1
32	43-231H27	Washer	1
33	43-231F28	Hammer Frame	1
34	43-403111-14	Hammer	2
35	43-403117	Hammer Pin (6.3 x 51.2)	2
36	43-403102-14	Anvil	1
37	40305	O-Ring (6.5 x 2)	1
38	40303	Anvil Collar	1
*39	43-231H52	Grip	1

06072016Rev1HMB | NP