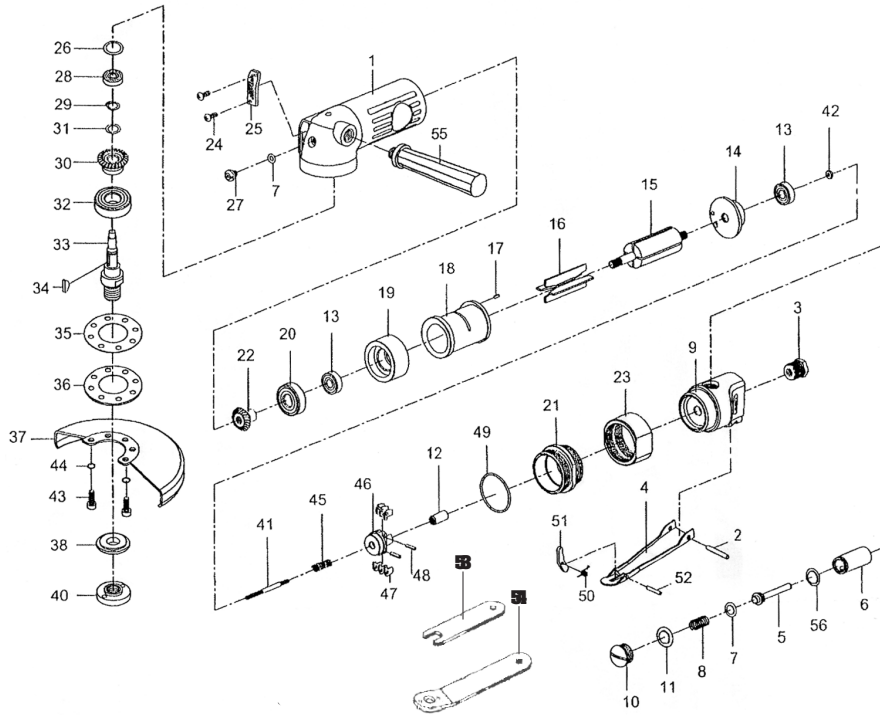




**MICHIGAN PNEUMATIC TOOL, INC.**

# MP-250L-ST 4" Angle Grinder



Index	Part No.	Description	Qty.
1	61901	Motor Housing	1
2	61902	Spring Pin (4x28L)	1
3	30103	Air Inlet	1
4	61904	Trigger	1
5	61905	Valve Stem	1
6	61906	Bushing	1
7	61907	O-Ring (4.9x2.2)	2
8	61908	Valve Spring	1
9	61909	Throttle Valve Housing	1
10	61910	Throttle Lever Plug	1
11	60307	O-Ring (10x2)	1
12	61912	Plunger	1
13	030120	Ball Bearing (608zz)	2
14	61914	End Plate	1
15	61915	Rotor	1
16	61916	Vanes	4
17	40317-14	Spring Pin (3x8L)	1
18	61918	Cylinder	1
19	61919	Front End Plate	1
20	080227	Ball Bearing (6201z)	1
21	61921	Lock Nut	1
22	61922	Bevel Pinion	1
23	61923	Coupling Nut	1
24	40309	Screw (M3x8L)	2
25	61925	Deflector	1
26	61926	Spacer	1
27	61927	Screw (M6x1.0P)	1
28	030113	Ball Bearing (626zz)	1

Index	Part No.	Description	Qty.
29	60319	Retaining Ring	1
30	61930	Bevel Gear	1
31	61931	Wave Washer	1
32	061932	Ball Bearing (6202zz)	1
33	61933	Spindle	1
34	61934	Key	1
35	61935	Gasket	1
36	61936	Retainer	1
37	61937	Disc Cover	1
38	61938	Flange	1
40	61940	Flange Nut	1
41	61941	Adjustment Screw	1
42	61942	Adjustment Nut	1
43	40343	Cap Screw (M5x16L)	4
44	61944	Washer (4)	4
45	61945	Spring	1
46	61946	Governor	1
47	61947	Pendulum	6
48	40317-13	Spring Pin (3x12L)	2
49	61949	O-Ring (37.8 x 1.78)	1
50	61950	Torsion Spring	1
51	61951	Throttle Lever Lock	1
52	40337	Spring Pin (3x18L)	1
53	61953	Spanner	1
54	61954	Pin Wrench	1
55	61955	Handle	1
56	52236	O-Ring (10.5x1)	1

06152017Rev5MME | NP