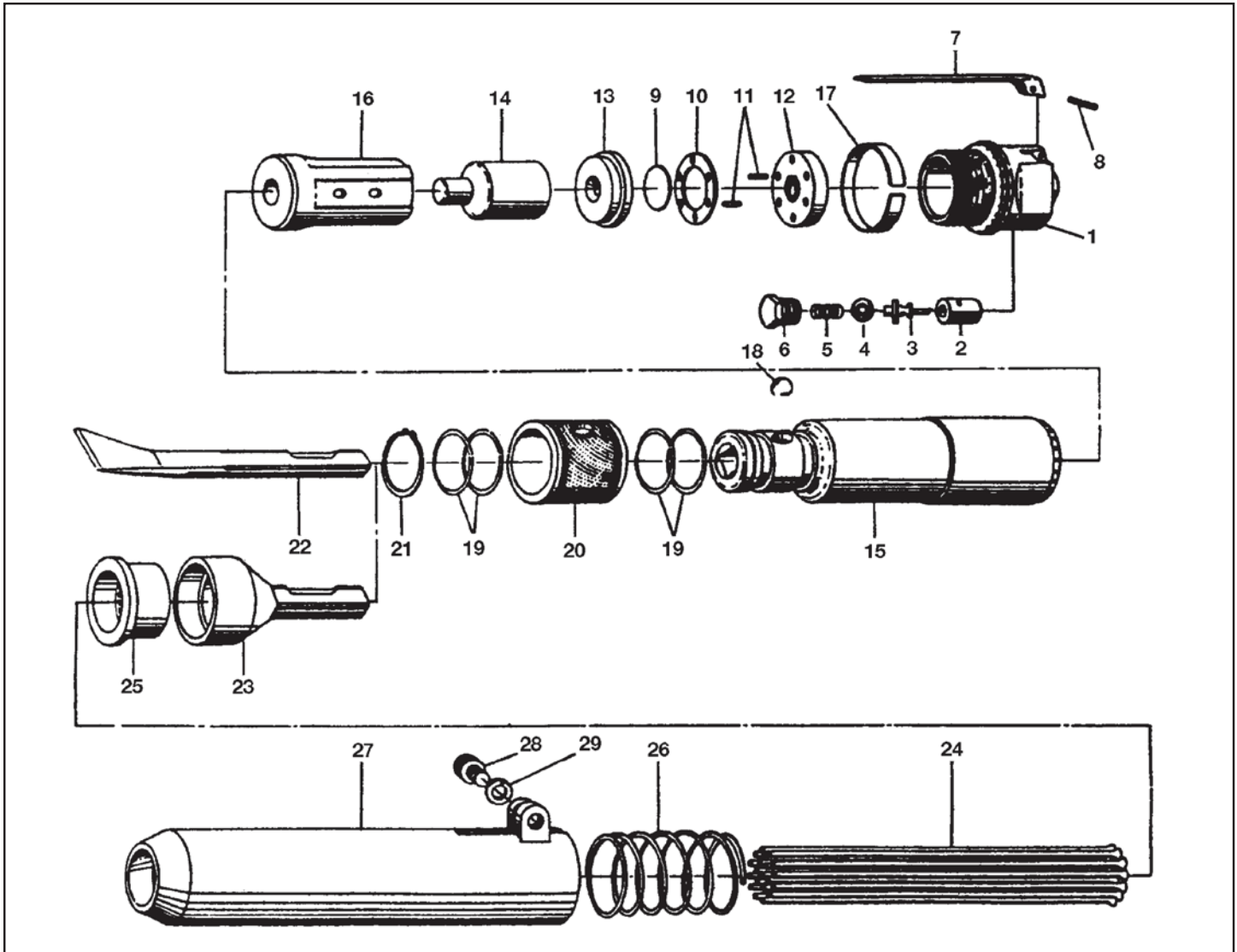




MICHIGAN PNEUMATIC TOOL, INC.

MP-25 Scaling Hammer
MP-25NS Needle Scaler



Index	Part No.	Description	Qty.
1	2501NS	Cylinder Cap	1
2	2502NS	Throttle Bushing	1
3	2503NS	Throttle Rod	1
4	2504NS	O-Ring	1
5	2505NS	Spring (8 x 16)	1
6	2506NS	Throttle Cap	1
7	2507NS	Throttle Lever	1
8	2508NS	Spring Roll Pin (3 x 22)	1
9	2509NS	Main Valve	1
10	2510NS	Main Valve Case	1
11	2511NS	Pin (2.8 x 11)	2
12	2512NS	Lower Main Valve	1
13	2513NS	Upper Main Valve	1
14	2514NS	Piston	1
15	2515NS	Cylinder Body	1

Index	Part No.	Description	Qty.
16	2516NS	Piston Sleeve	1
17	2517NS	Lock Ring	1
18	2518NS	Ball (7/16)	1
19	2519NS	O-Ring (P24)	1
20	2520NS	Chisel Cover	1
21	2521NS	Snap Ring (STW30)	1
22	2522NS	Chisel	1
23	2523NS	Needle Shank	1
24	2524NS	Needle	19
25	2525NS	Needle Flange	1
26	2526NS	Spring (38 x 83)	1
27	2527NS	Needle Cover	1
28	2528NS	Hex Socket Bolt (M8 x 20)	1
29	2529NS	Spring Washer (M8-No. 2)	1

09272018Rev5MME | NP