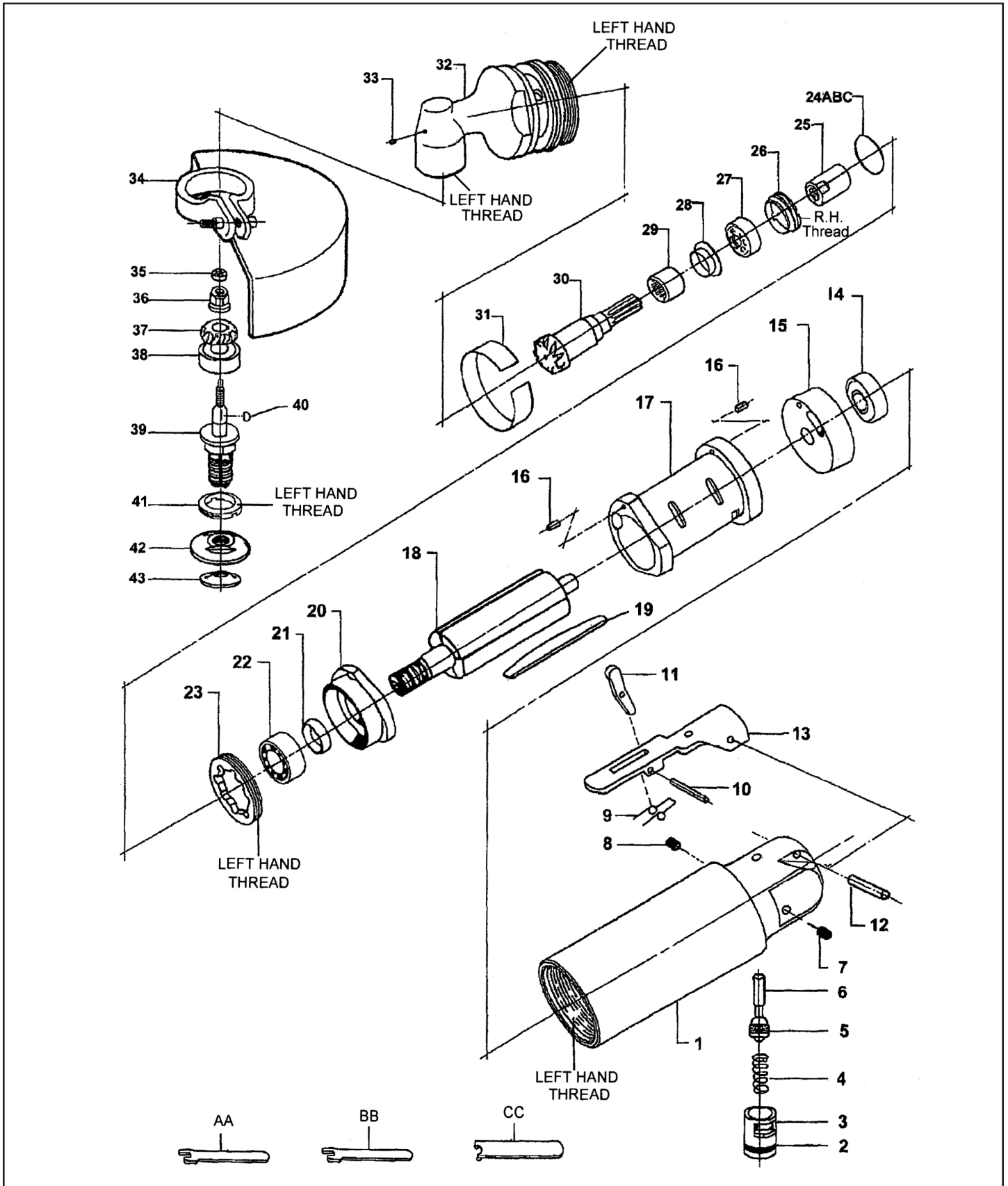




MICHIGAN PNEUMATIC TOOL, INC.

MP-3040 4" Angle Grinder



11122014Rev3PPT | NP



MICHIGAN PNEUMATIC TOOL, INC.

MP-3040 4" Angle Grinder

Index	Part No.	Description	Qty.
1	GA-3617	Motor Housing	1
2	G-3001	O-Ring	1
3	G-3180	Regulator Cap	1
4	G-3181	Spring Throttle Valve	1
5	G-3083	O-Ring	1
6	G-3179	Throttle Valve	1
7	G-3193	Set Screw	1
8	GA-3293	Locking Set Screw	1
9	G-3855	Cam Spring	1
10	G-3155	Cam Pin	1
11	G-3105	Cam	1
12	G-3089	Lever Pin	1
13	G-3106	Safety Throttle Lever	1
14	G-3412	Ball Bearing	1
15	G-3182	Rear End Plate	1
16	G-3791	Liner Pin	2
17	G-3183	Liner	1
18	G-3184	Rotor	1
19	G-3191	Rotor Blade	4
20	G-3185	Front End Plate	1
21	G-3192	Spacer Bearing	1
22	G-3326	Ball Bearing	1
23	G-3187	Nut Clamp	1
24A	GA-3491	Shim .003 (As Needed)	*
24B	GA-3492	Shim .005 (As Needed)	*
24C	GA-3493	Shim .010 (As Needed)	*

Index	Part No.	Description	Qty.
25	GA-3490	Coupling	1
26	GA-3489	Nut	1
27	GA-3878	Bearing	1
28	GA-3502	Spacer	1
29	GA-3494	Bearing	1
30*	GA-3598	Pinion (*Sold in Gear Set)	1
31	GA-3190	Deflector	1
32	GA-3499	Angle Housing	1
33	GA-3661	Fitting	1
34	GA-3500	4" Guard	1
35	GA-3142	Bearing	1
36	GA-3501	Nut	1
37*	GA-3598	Gear (*Sold in Gear Set)	1
38	GA-3819	Bearing	1
39	GA-3498	Spindle	1
40	GA-3227	Key	1
41	GA-3487	Nut	1
42	GA-3495	Wheel Adapter	1
43	GA-3588	Wheel Nut	1
AA	GA-3653	Open-end Wrench 5/8"	1
BB	G-3858	Open-end Wrench 9/16"	1
CC	GA-3652	Spanner Wrench	1
*	GA-3005	Tune-up Kit (Incl. 2, 5, 14, 19, 21, 22, 27, 29, 30, 34, 36, 37)	
*	G-3781	Safety Lever Assembly (Incl. 9, 10, 11, 13)	