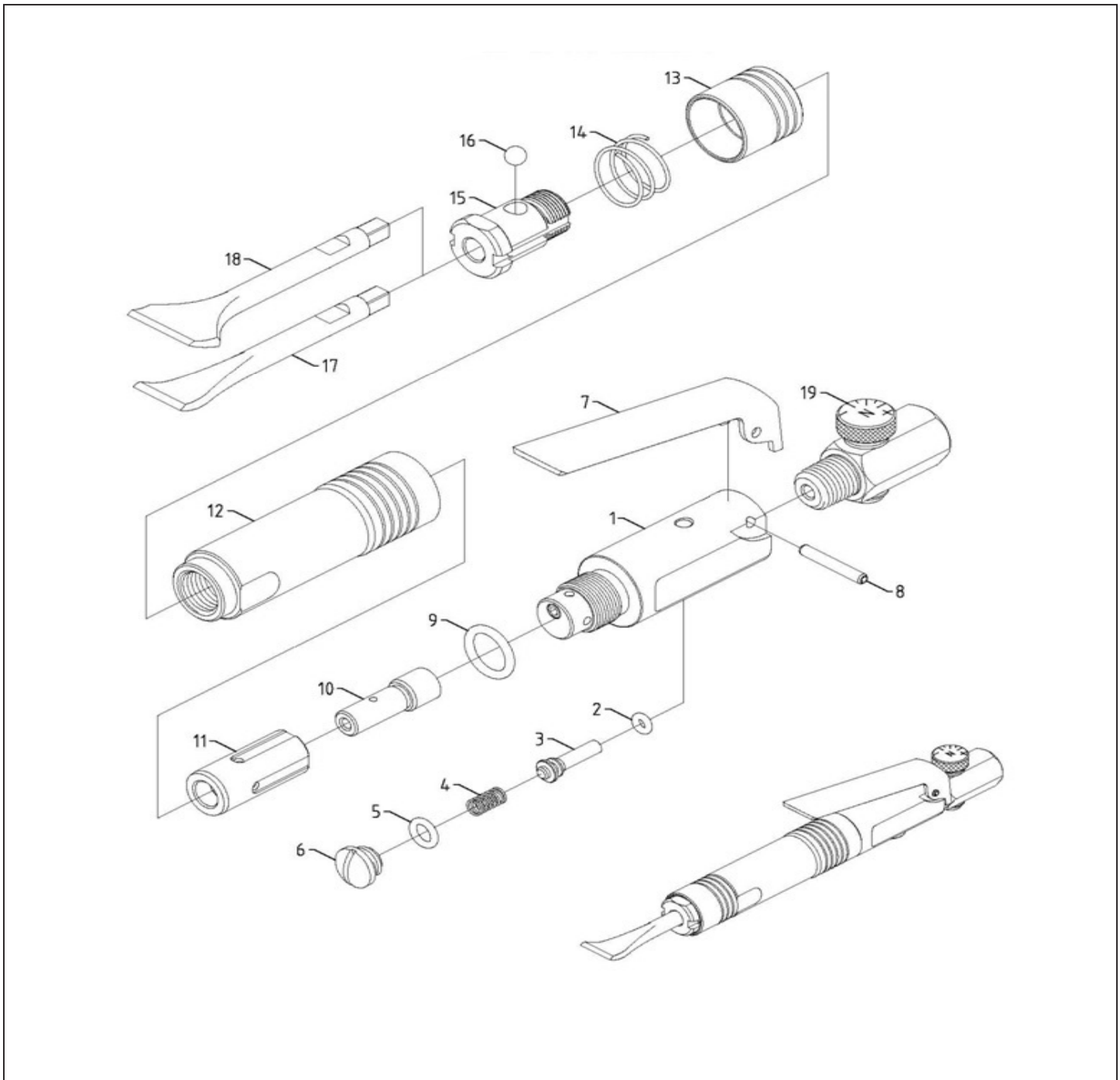




MICHIGAN PNEUMATIC TOOL, INC.

MP-311-GP Stainless Steel Mini Scaler



| Index | Part No. | Description | Qty. |
|-------|----------|--------------|------|
| 1 | 311001 | Backhead | 1 |
| 2 | 311002 | O-Ring | 1 |
| 3 | 311003 | Valve Stem | 1 |
| 4 | 311004 | Valve Spring | 1 |
| 5 | 311005 | O-Ring | 1 |
| 6 | 311006 | Valve Cap | 1 |
| 7 | 311007 | Lever | 1 |
| 8 | 311008 | Spring Pin | 1 |
| 9 | 311009 | O-Ring | 1 |
| 10 | 311010 | Piston | 1 |

| Index | Part No. | Description | Qty. |
|-------|----------|---------------------|------|
| 11 | 311011 | Piston Sleeve | 1 |
| 12 | 311012 | Barrel | 1 |
| 13 | 311013 | Chisel Cover | 1 |
| 14 | 311014 | Compression Spring | 1 |
| 15 | 311015 | Chisel Holder | 1 |
| 16 | 311016 | Steel Ball (7/32") | 1 |
| 17 | 311017 | Chisel (Bent, 17mm) | 1 |
| 18 | 311018 | Chisel (Bent, 22mm) | 1 |
| 19 | 311019 | Regulator Kit | 1 |