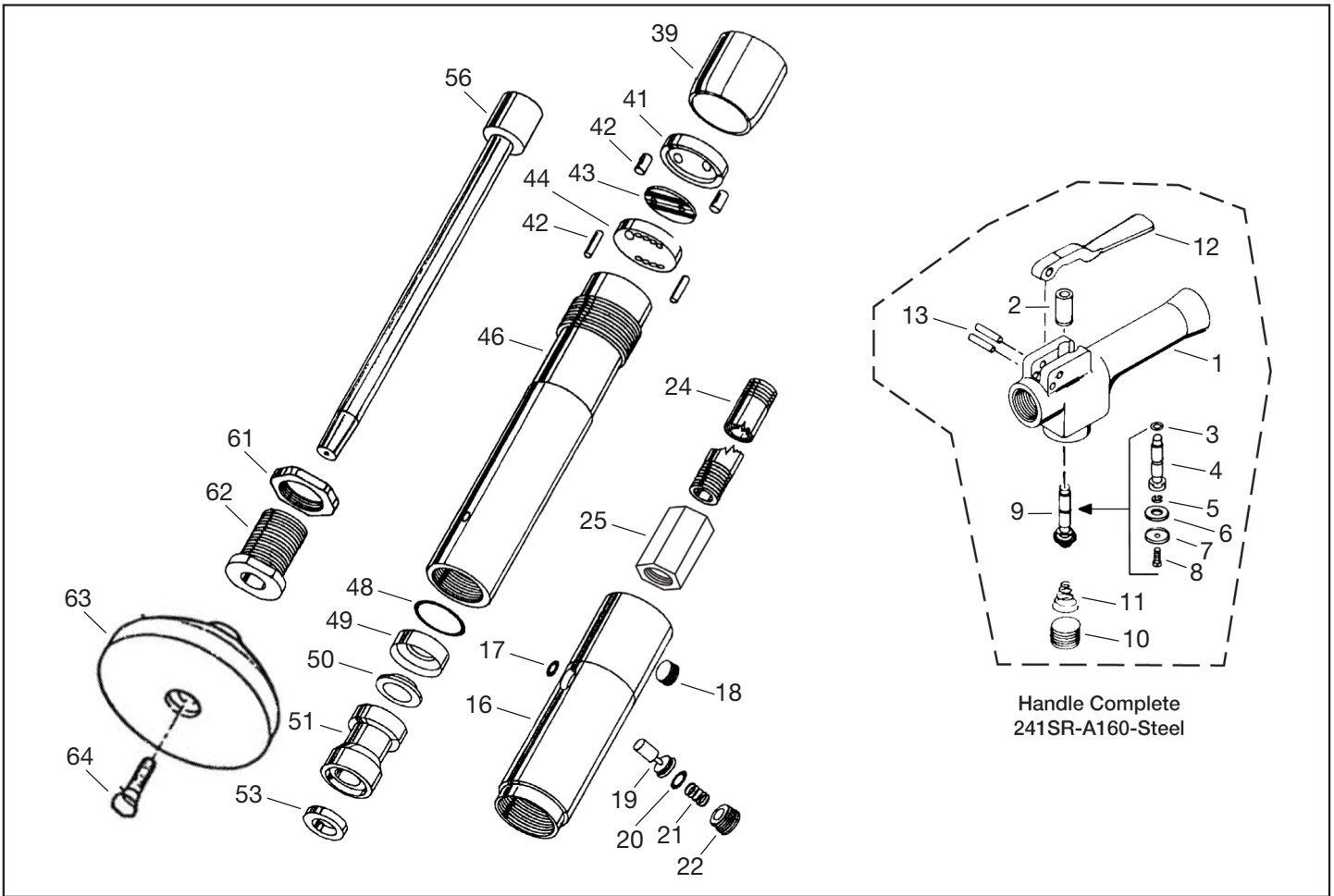




MICHIGAN PNEUMATIC TOOL, INC.

MP-341A1M Sand Rammer/Tamper



Index	Part No.	Description	Qty.
1A	241SR-A160-Steel	Handle Complete	1
1	150SR-160	Bare Handle NLA use 1A	1
2	150SR-503	Throttle Valve Bushing	1
3	OR-6227-5	O-Ring	1
4	150SR-302-IC	Valve	1
5	H54U-352	Washer	1
6	MT4-159	Gasket	1
7	R4-157	Plate	1
8	4U-359	Screw	1
9	150SR-302	Valve Assembly	1
10	DLC-165	Throttle Valve Plug	1
11	150SR-262	Throttle Valve Spring	1
12	33SR-163	Throttle Lever	1
13	5040T-962	Handle Pins	2
16	341SR-14	Oiler Type Backhead Complete	1
17	R18L-14	Lubricator Valve Seal	1
18	R0H-377	Oil Plug	1
19	241SR-101	Lubricator Valve	1
20	R0AR-210	Lubricator Valve Face	1
21	24SR-106	Valve Spring	1

Index	Part No.	Description	Qty.
22	HH-266	Lubricator Valve Plug	1
24	34SR-1A	Extension Pipe 19"	1
25	241SR-118	Lock Nut	1
39	341SR-23	Exhaust Deflector	1
41	34SR-43	Valve Chest Lid	1
42	33SR-45	Valve Dowel	2
43	C-21301	Valve	1
44	341SR-41	Valve Chest	1
45	D01-527	Cylinder Dowel	2
46	341SR-R10	Cylinder, Round Rod	1
48	OR-6230-2	Seal Support Gasket	1
49	341SR-28	Seal Support	1
50	341SR-30	Rear Rod Seal	1
51	341SR-A32	Piston Rod Guide	1
53	341SR-31	Rod Front Seal	1
56	341SR-R20	Piston	1
61	341SR-17	Lock Nut	1
62	341SR-33A	Retainer Guide	1
63	73206	Butt	1
64	94558	Butt Screw	1