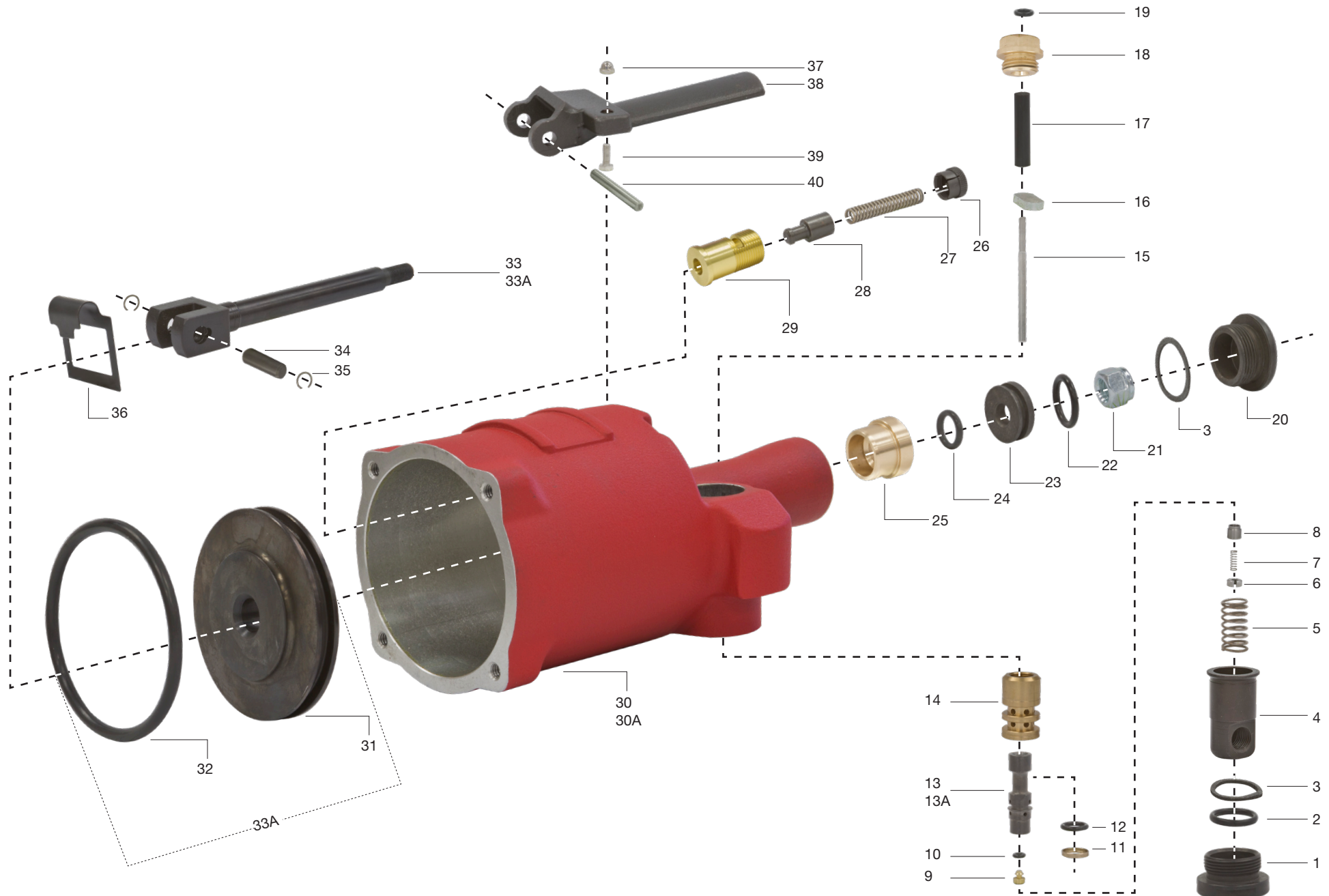




MICHIGAN PNEUMATIC TOOL, INC.

MP-351C Compression Riveter-P078074 Power Unit Complete





MICHIGAN PNEUMATIC TOOL, INC.

MP-351C Compression Riveter-P078074 Power Unit Complete Parts

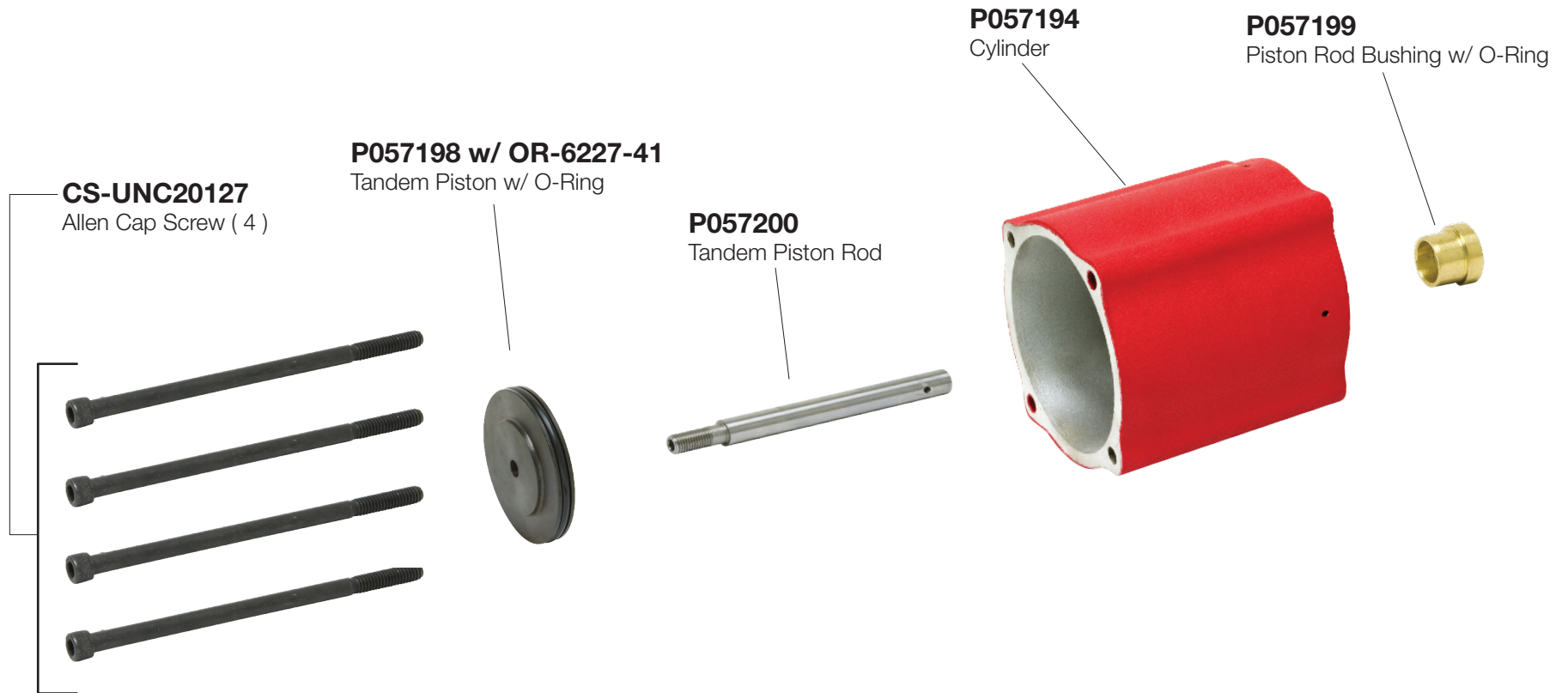
Index	Part No.	Description	Qty.
1	P073054	Swivel Air Inlet Nut	1
2	OR-6227-18	O-Ring	1
3	P073009	Gasket	2
4	P089178	Air Inlet Swivel	1
5	P073057	Outer Throttle Valve Spring	1
6	P073018	Inner Valve Spring Retainer	1
7	P073017	Inner Throttle Valve Spring	1
8	P089289	Inner Throttle Valve	1
9	P089290	O-Ring Holder	1
10	OR-6227-1	O-Ring	1
11	P089288	Outer O-Ring Retainer	1
12	OR-6227-9	Outer O-Ring	1
13	P089287	Outer Throttle Valve	1
13A	P087561	Throttle Valve Complete (Includes #6, #13)	1
14	P073056	Throttle Valve Bushing	1
15	P073059	Valve Stem	1
16	P073060	Valve Stem Block	1
17	P073058	Throttle Valve Stem	1
18	P073014	Valve Stem Bushing (Includes #19)	1
19	OR-6227-4	Bushing O-Ring	1
20	P073008	Return Cylinder Cap	1

Index	Part No.	Description	Qty.
21	P070438	Piston Rod Nut	1
22	OR-6227-15	O-Ring	1
23	P089740	Return Piston	1
24	OR-6227-10	O-Ring	1
25	P057199	Piston Rod Bushing (includes #24)	1
26	P078068	Regulator Knob	1
27	P073957	Regulator Spring	1
28	P073956	Regulator Valve	1
29	P074242	Regulator Body Insert	1
30	P078076	Cylinder Complete (Includes #14,#25,#29)	1
30A	P078075	Cylinder and Regulator Complete (Includes #26,#27,#28, #30)	1
31	P089737	Piston	1
32	OR-6227-41	Piston O-Ring	1
33	P073020	Piston Rod	1
33A	P077832	Piston and Rod Complete (Includes #31, #33)	1
34	P073116	Piston Rod Pin	1
35	P074672	Retaining Ring	2
36	P074326	Wedge Spring	1
37	H072480	Adjusting Screw Nut	1
38	P073052	Throttle Lever	1
39	P073115	Adjusting Screw	1
40	P073085	Lever Pin	1



MICHIGAN PNEUMATIC TOOL, INC.

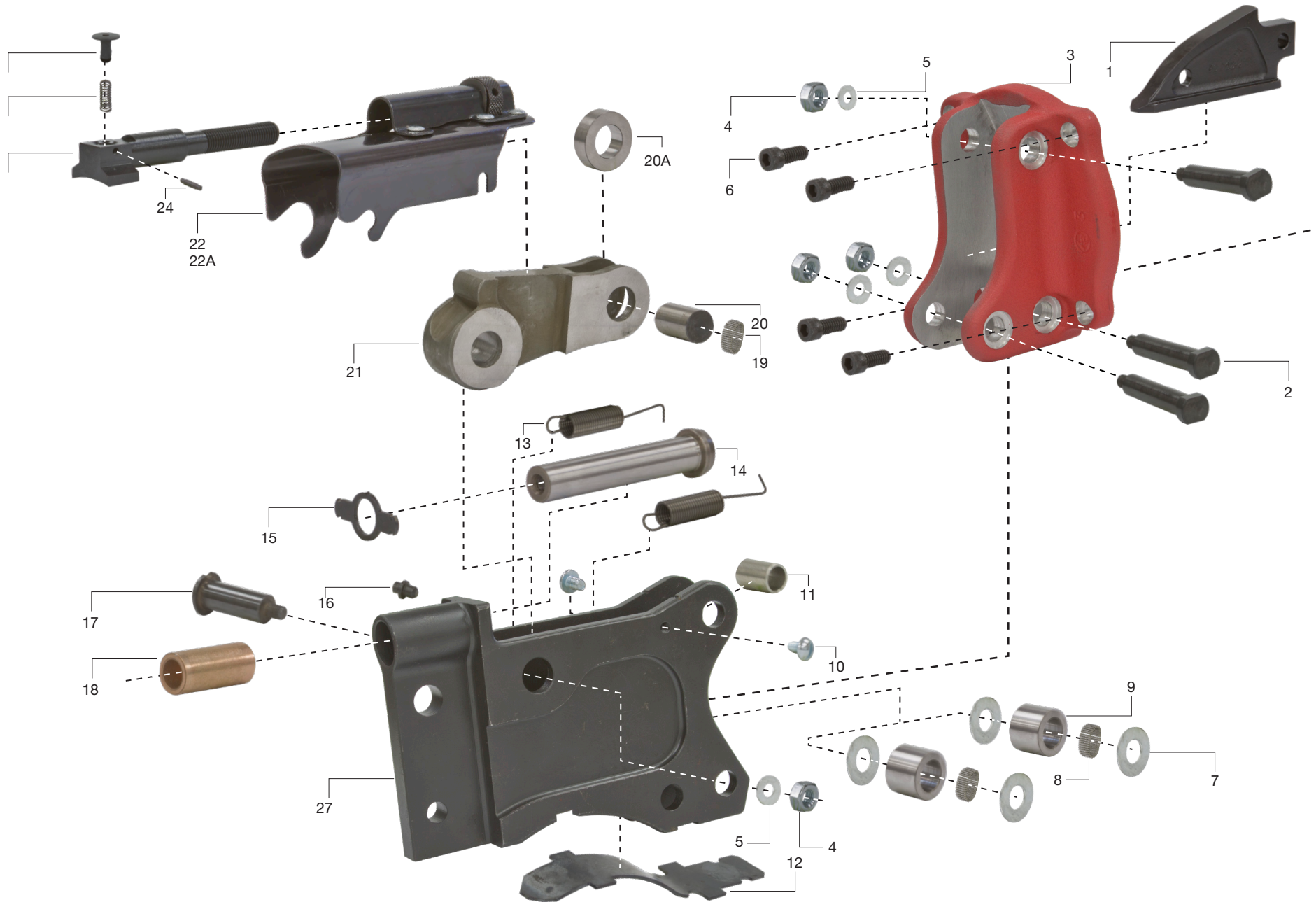
MP-351C Compression Riveter-351CON Tandem Conversion Unit





MICHIGAN PNEUMATIC TOOL, INC.

MP-351C Compression Riveter-P078122 Type 1 Yoke Frame Complete





MICHIGAN PNEUMATIC TOOL, INC.

MP-351C Compression Riveter-P078122 Type 1 Yoke Frame Complete Parts

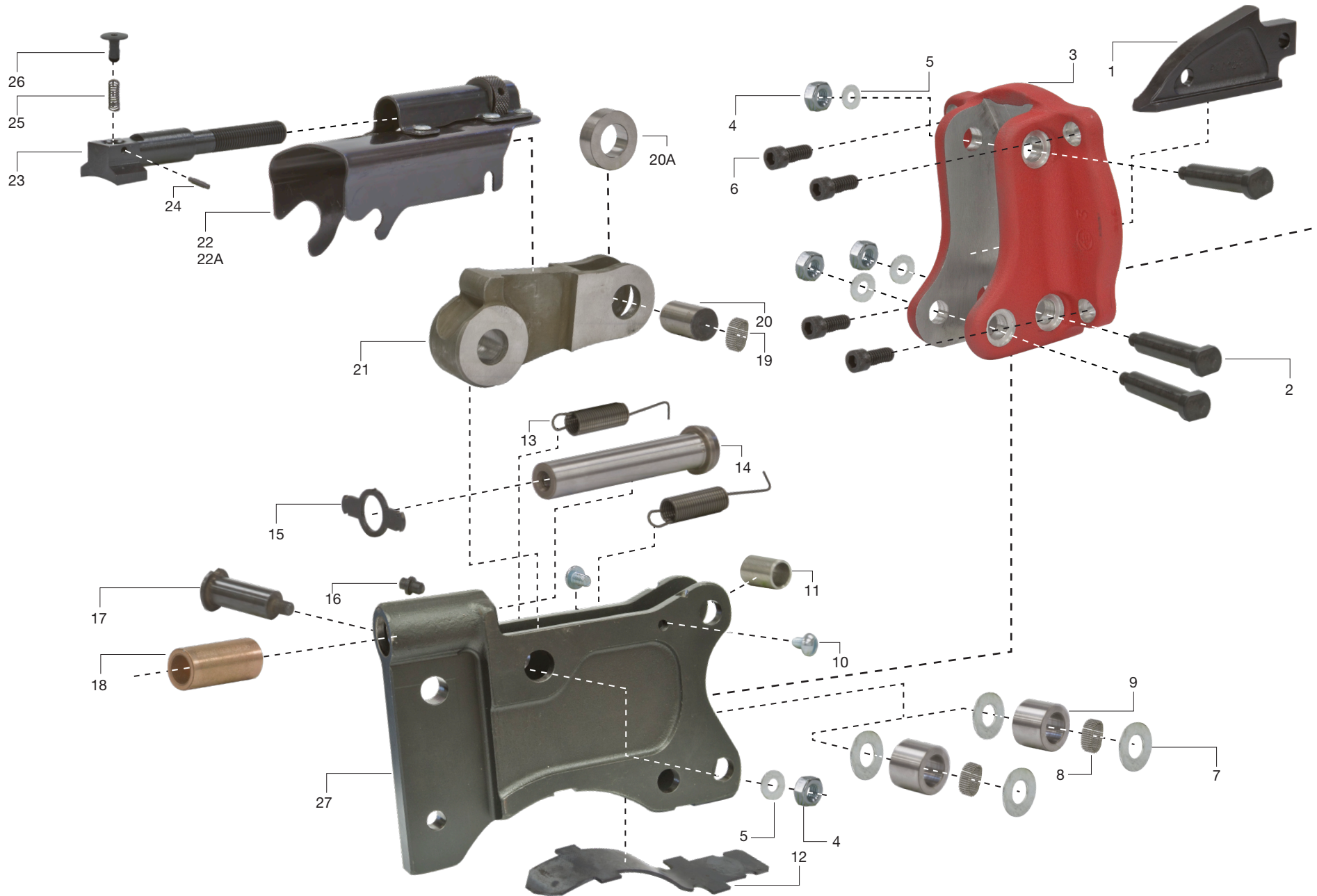
Index	Part No.	Description	Qty.
1	P073006	C-Type Wedge	1
2	P073026	Frame Bolt	3
3	P073002	Cylinder Adapter	1
4	P006087	Bolt Nut	4
5	P073027	Bolt Washer	4
6	P073025	Adapter Screw	4
7	P073032	Thrust Washer	4
8	P073031	Roller Bearing	38
9	P073030	Roller	2
10	P073041	Guard Screw	2
11	P073029	Spacer	1
12	P073033	Roller Guard	1
13	P073238	Return Spring	2
14	P073237	2-5/8" Long Set Holder	1

Index	Part No.	Description	Qty.
15	P073961	Spring Yoke	1
16	P073242	Lock Pin	1
17	P073239	Lever Shaft	1
18	P073036	Type 1 Set Holder Bushing	1
19	S067191	Roller Bearing	28
20	P073045	Roller Shaft	1
20A	P073043	Lever Roller	1
21	P073005	Set Holder Lever (Includes #19, #20)	1
22	P078159	Adjusting Bracket Assembly	1
22A	P078124	Stroke Adjusting Assembly (Includes #22,#24, #25,#26)	1
23	P074675	Adjusting Screw	1
24	P074318	Button Pin	1
25	P074317	Button Spring	1
26	P074744	Escape Button	1
27	P073004	Type 1 Yoke Frame (Include #16, #18)	1



MICHIGAN PNEUMATIC TOOL, INC.

MP-351C Compression Riveter-P078123 Type 2A Yoke Frame Complete





MICHIGAN PNEUMATIC TOOL, INC.

MP-351C Compression Riveter-P078123 Type 2A Yoke Frame Complete Parts

Index	Part No.	Description	Qty.
1	P073006	C-Type Wedge	1
2	P073026	Frame Bolt	3
3	P073002	Cylinder Adapter	1
4	P006087	Bolt Nut	4
5	P073027	Bolt Washer	4
6	P073025	Adapter Screw	4
7	P073032	Thrust Washer	4
8	P073031	Roller Bearing	38
9	P073030	Roller	2
10	P073041	Guard Screw	2
11	P073029	Spacer	1
12	P073033	Roller Guard	1
13	P073238	Return Spring	2
14	P073237	2-5/8" Long Set Screw Holder	1

Index	Part No.	Description	Qty.
15	P073961	Spring Yoke	1
16	P073242	Lock Pin	1
17	P073239	Lever Shaft	1
18	P073035	Type 2A Set Holder Bushing	1
19	S067191	Roller Bearing	28
20	P073045	Roller Shaft	1
20A	P073043	Lever Roller	1
21	P073005	Set Holder Lever (Includes #19, #20)	1
22	P078159	Adjusting Bracket Assembly	1
22A	P078124	Stroke Adjusting Assembly (Includes #22,#24, #25,#26)	1
23	P074675	Adjusting Screw	1
24	P074318	Button Pin	1
25	P074317	Button Spring	1
26	P074744	Escape Button	1
27	P073003	Type 2A Yoke Frame (Include #16, #18)	1