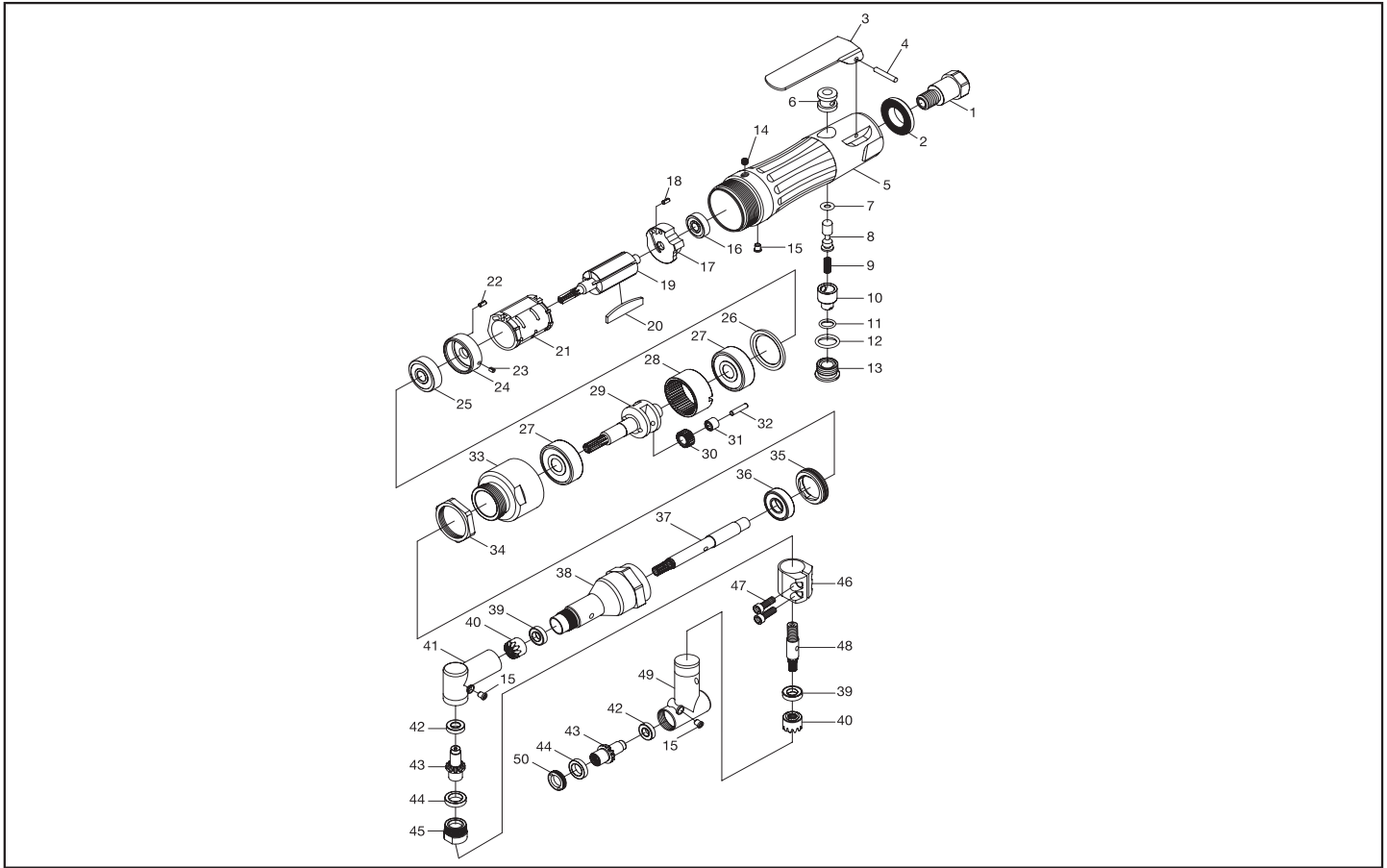




**MICHIGAN PNEUMATIC TOOL, INC.**

# MP-3603 Right Angle Drill w/360° Swivel Head



Index	Part No.	Description	Qty.
1	3603-01	Inlet	1
2	3603-02	Muffler	1
3	3603-03	Lever	1
4	3603-04	Pin	1
5	3603-05	Housing	1
6	3603-06	Valve Bushing	1
7	3603-07	O-Ring	1
8	3603-08	Valve Stem	1
9	3603-09	Valve Spring	1
10	3603-10	Regulator	1
11	3603-11	O-Ring	1
12	3603-12	O-Ring	1
13	3603-13	Plug	1
14	3603-14	Set Screw	1
15	3603-15	Grease Fitting	3
16	3603-16	Ball Bearing	1
17	3603-17	End Plate	1
18	3603-18	Locating Pin	1
19	3603-19	Rotor (6T, 3000 rpm)	1
20	3603-20	Vanes	5
21	3603-21	Cylinder	1
22	3603-22	Locating Pin	1
23	3603-23	Locating Pin	1
24	3603-24	Front Plate	1
25	3603-25	Ball Bearing	1

Index	Part No.	Description	Qty.
26	3603-26	Spacer	1
27	3603-27	Ball Bearing	2
28	3603-28	Ring Gear	1
29	3603-29	Carrier	1
30	3603-30	Idle Gear (18T, 3000 rpm)	2
31	3603-31	Needle Bearing	2
32	3603-32	Pin	2
33	3603-33	Adapter	1
34	3603-34	Lock Nut	1
35	3603-35	Lock Ring	1
36	3603-36	Ball Bearing	1
37	3603-37	Spindle	1
38	3603-38	Adapter Housing	1
39	3603-39	Ball Bearing	2
40	3603-40	Pinion	2
41	3603-41	Angle Housing	1
42	3603-42	Ball Bearing	2
43	3603-43	Spindle Gear (1/4"-28 internal)	2
44	3603-44	Ball Bearing	2
45	3603-45	Lock Ring	1
46	3603-46	Clamp	1
47	3603-47	Screws	2
48	3603-48	Drive Spindle	1
49	3603-49	Angle Housing	1
50	3603-50	Lock Ring	1

10312015Rev2HMB I -