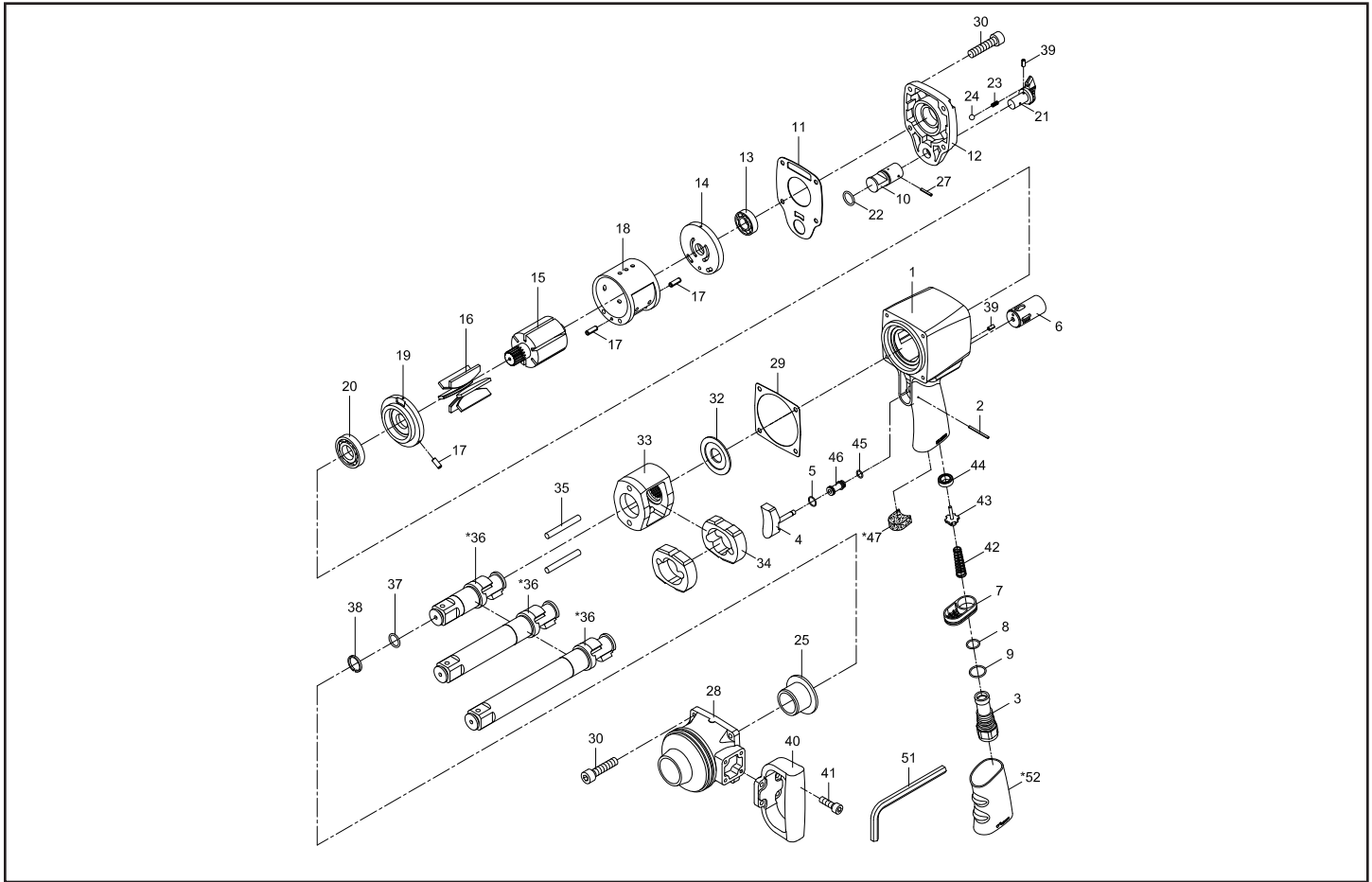




**MICHIGAN PNEUMATIC TOOL, INC.**

# MP-4740-ST 1" Impact Wrench



Index	Part No.	Description	Qty.
1	47-407401	Motor Housing	1
2	SP02002600	Spring Pin (2x26)	1
3	47-407403	Air Inlet	1
4	47-407404	Trigger	1
5	52236	O-Ring (10.5x1)	1
6	47-407406	Reverse Valve Bushing	1
7	47-407407	Exhaust Diffuser	1
8	72009	O-Ring (15.7x1.7)	1
9	72023	O-Ring (20.35x1.78)	1
10	47-407410	Reverse Valve (4x28)	1
11	47-407434	Gasket	1
12	47-407420	Rear Cover	1
13	020320-12	Ball Bearing (6003z)	1
14	47-407314	Rear End Plate	1
15	47-407315	Rotor	1
16	47-407316	Rotor Blade	6
17	SP04001000	Spring Pin (4x10)	3
18	47-407318	Cylinder	1
19	47-407419	Front End Plate	1
20	0R14	Ball Bearing (R14)	1
21	47-407421	Reverse Lever	1
22	OR01608204	O-Ring (16.8x2.4)	1
23	43-403323	Spring	1
24	5K-3011B25	Steel Ball (9/64")	1
25	47-407325	Anvil Bushing	1

Index	Part No.	Description	Qty.
27	50102-12	Spring Pin (3x20)	1
28	47-407328	Hammer Case	1
29	47-407335	Gasket	1
30	7H-753539	Screw (M6x25)	8
32	47-407327	Washer	1
33	47-407308	Hammer Cage	1
34	47-407311	Hammer	2
35	47-407317	Hammer Pin	2
36*	47-407302-11	Anvil (1")	1
	47-4073L02-71	Anvil (1" L=7")	1
	47-4073L02-81	Anvil (1" L=8")	1
37	10211	O-Ring	1
38	47-405112	Retainer Ring	1
39	70117-13	Spring Pin (2.5x5)	1
40	47-407360	Dead Handle	1
41	7H-753528	Screw (M6x20)	4
42	43-403647	Valve Spring	1
43	43-403148	Valve Stem	1
44	43-403145	Rubber Spacer	1
45	OR00765102	O-Ring (7.65x1.2)	1
46	47-407446	Valve Bushing	1
*47	47-407453	Damping Diffuser	1
51	10018	Hex Key Wrench (5)	1
*52	47-407452	Rubber Grip	1

**\*Optional Parts**