



MICHIGAN PNEUMATIC TOOL, INC.

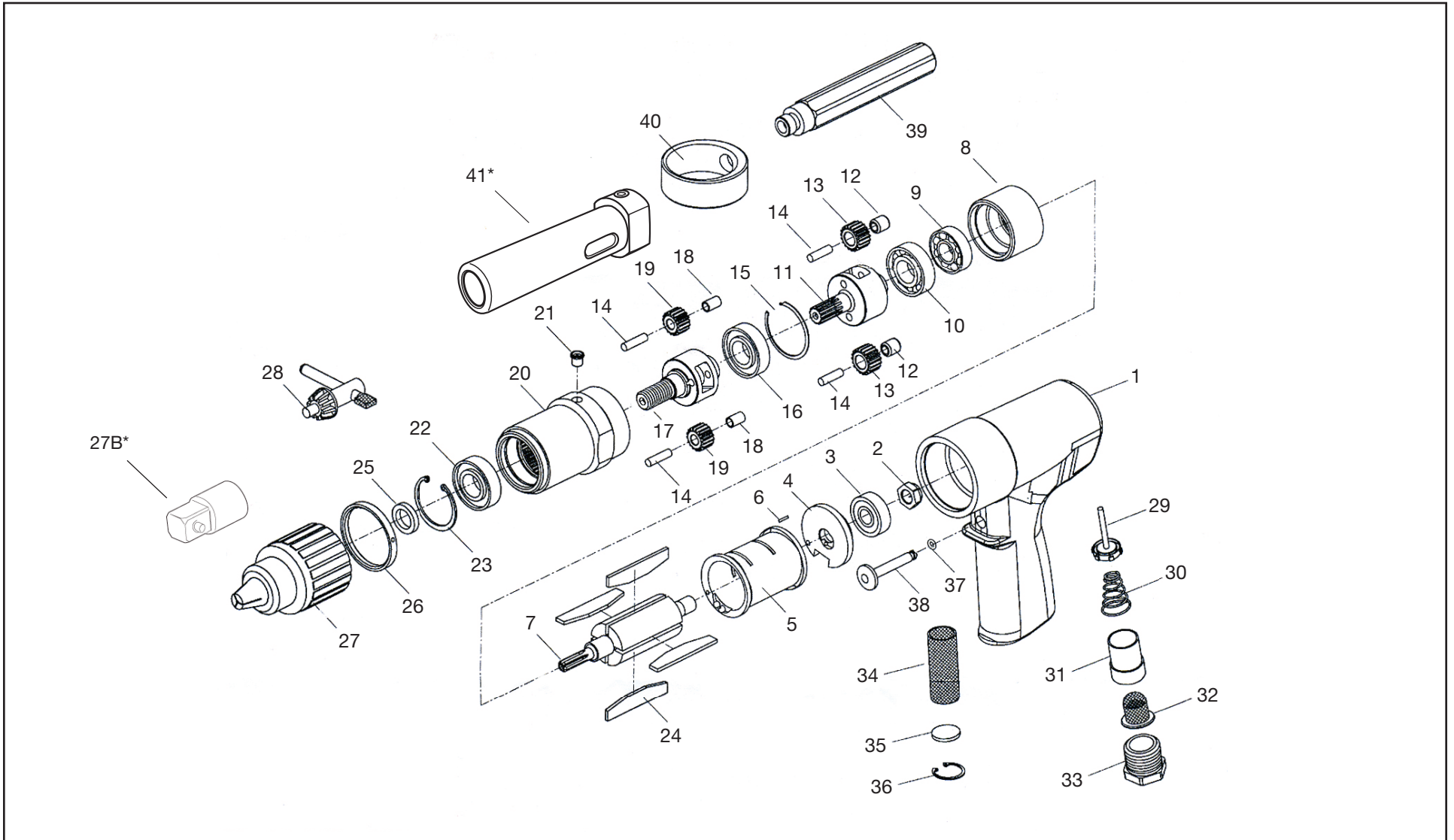
MP-5150DP-400B 1/2" Drill, 400 RPM

MP-5150DP-400B-2MT 1/2" Drill, 400 RPM, #2 Morse Taper

MP-5150DP-400B-12SQ 1/2" Square Drive Anvil, 400 RPM

MP-5150DP-800B 1/2" Drill, 800 RPM

MP-5150DP-800B-2MT 1/2" Drill, 800 RPM, #2 Morse Taper





MICHIGAN PNEUMATIC TOOL, INC.

MP-5150DP-400B 1/2" Drill, 400 RPM

MP-5150DP-400B-2MT 1/2" Drill, 400 RPM, #2 Morse Taper

MP-5150DP-400B-12SQ 1/2" Square Drive Anvil, 400 RPM

MP-5150DP-800B 1/2" Drill, 800 RPM

MP-5150DP-800B-2MT 1/2" Drill, 800 RPM, #2 Morse Taper

Index	Part No.	Description	Qty.
1	201029	Housing	1
2	865352	Rotor Lock Nut	1
3	843444	Bearing	1
4	869055	Rear Bearing Plate	1
5	864236	Cylinder	1
6	812164	Spring Pin	1
7	869777	Rotor (-800 Model only)	1
7*	869776-5	Rotor (-400 Model only)	1
8	864235	Front Bearing Plate	1
9	844772	Bearing	1
10	847147	Bearing	1
11	864341	Gear Head (-800 Model only)	1
11*	864659	Gear Head (-400 Model only)	1
12	844774	Needle Bearing	2
13	864340	Idler Gear (-800 Model only)	2
13*	864376	Idler Gear (-400 Model only)	2
14	844799	Idler Gear Pin	4
15	864240	Retainer Ring	1
16	844773	Bearing	1
17	864655	Spindle (-800 Model only)	1
17*	864658	Spindle (-400 Model only)	1
18	847146	Idler Gear Bushing	2
19	864241	Idler Gear (-800 Model only)	2
19*	881658	Idler Gear (-400 Model only)	2

Index	Part No.	Description	Qty.
20	881651	Gear Case	1
21	843589	Grease Fitting	1
22	843615	Bearing 6002-2RS	1
23	844364	C-Ring	1
24	864234	Rotor Blade	4
25	864654	Chuck Spack	1
26	864646	Thread Cover	1
27	849415	Chuck	1
27B*	TH-502	1/2" Square Drive Anvil (-12SQ Model)	1
28	849121	Chuck Key	1
29	869350	Valve	1
30	863072	Spring	1
31	869349	Sleeve	1
32	869548	Air Inlet Screen	1
33	833471	Air Inlet	1
34	869764	Muffler	1
35	412775	Exhaust Screen	1
36	619016	C-Ring	1
37	869712	O-Ring AS-004	1
38	869763	Trigger Pin	1
39	881393	Handle	1
40	864444	Clamp Ring	1
41*	C013048-1/2THD	1/2" #2 Morse Taper (-2MT model only)	1