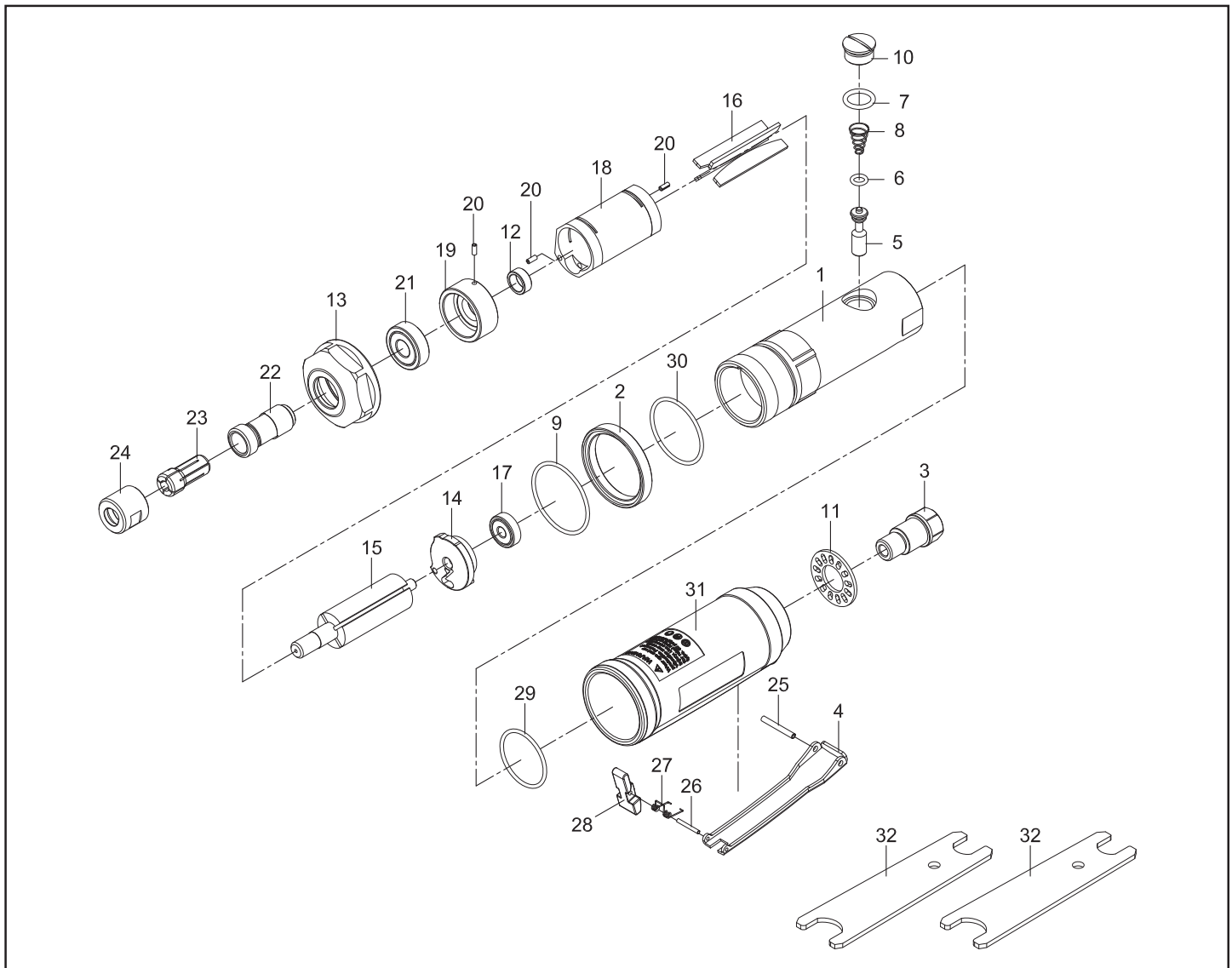




MICHIGAN PNEUMATIC TOOL, INC.

MP-5214 1/4" Die Grinder



Index	Part No.	Description	Qty.
1	5214-01	Motor Housing	1
2	5214-02	Decoration Ring	1
3	5214-03	Air Inlet	1
4	5214-04	Throttle Lever	1
5	5214-05	Valve Shaft	1
6	5214-06	O-Ring (Ø4.8xØ2.2)	1
7	5214-07	O-Ring (Ø11.8xØ2.4)	1
8	5214-08	Spring	1
9	5214-09	O-Ring (Ø40xØ2)	1
10	5214-10	Plug	1
11	5214-11	Diffuser	1
12	5214-12	Rotor Bushing	1
13	5214-13	Clamp Nut	1
14	5214-14	Rear End Plate	1
15	5214-15	Rotor	1
16	5214-16	Rotor Blade	4

Index	Part No.	Description	Qty.
17	5214-17	Ball Bearing (626zz)	1
18	5214-18	Cylinder	1
19	5214-19	Front End Plate	1
20	5214-20	Spring Pin (Ø2.5x6L)	3
21	5214-21	Ball Bearing (6000zz)	1
22	5214-22	Collet Holder	1
23	5214-23	Collet	1
24	5214-24	Collet Nut	1
25	5214-25	Spring Pin (Ø3x24L)	1
26	5214-26	Spring Pin (Ø2x16L)	1
27	5214-27	Spring	1
28	5214-28	Safety Bar	1
29	5214-29	O-Ring (Ø31.5xØ2)	1
30	5214-30	O-Ring (Ø35.5xØ2)	1
31	5214-31	Grip	1
32	5214-32	Spanner	2

03022017Rev3CEH | NP