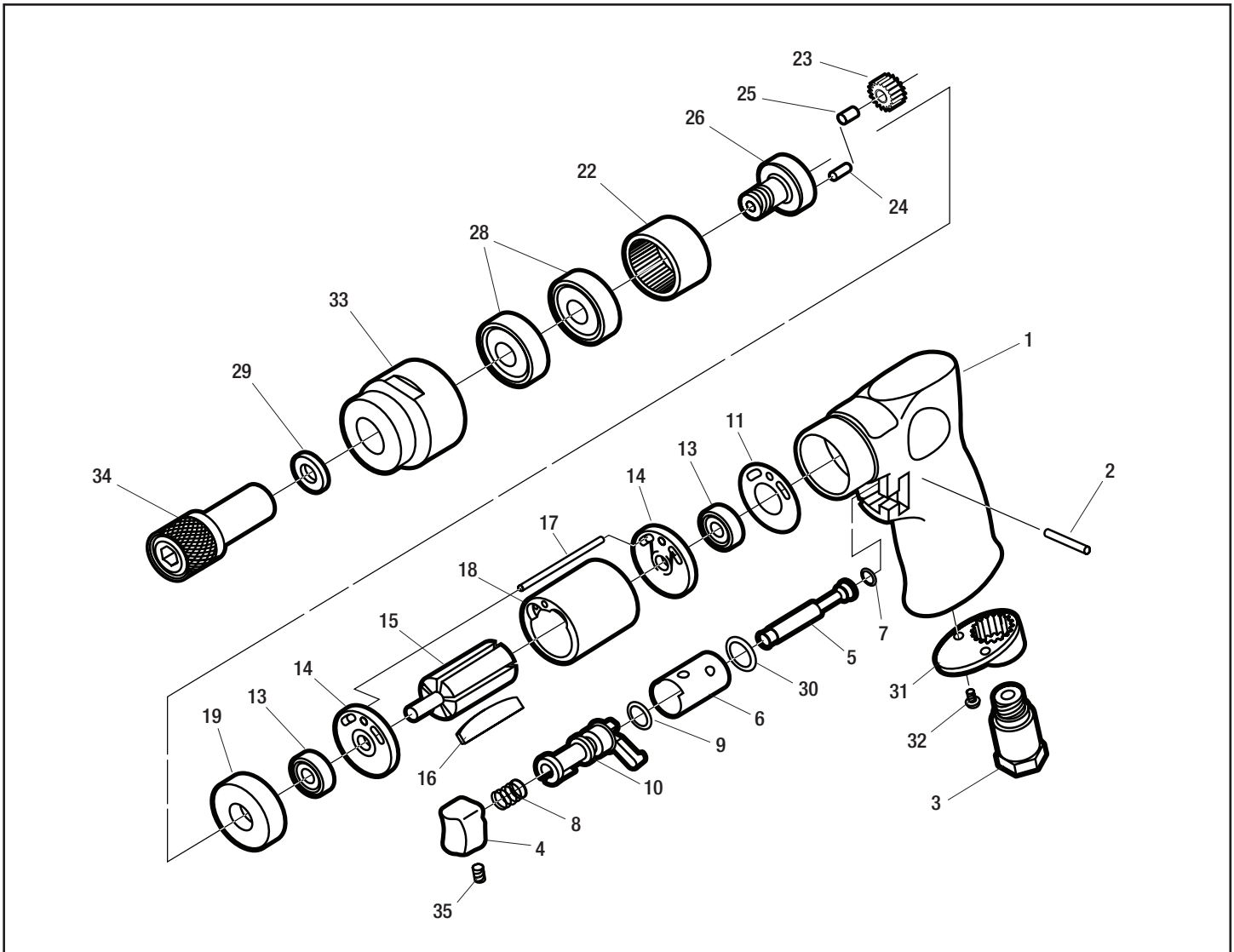




MICHIGAN PNEUMATIC TOOL, INC.

MP-525DD 1/4" Reversible Drill



Index	Part No.	Description	Qty.
1	SM-70501	Motor Housing	1
2	SM-70502	Pin	1
3	SM-70503	Air Inlet	1
4	SM-70504	Trigger	1
5	SM-70505	Valve Stem	1
6	SM-70506	Reverse Bushing	1
7	SM-70507	O-Ring	1
8	SM-70508	Valve Spring	1
9	SM-70509	O-Ring	1
10	SM-70510	Reverse Lever	1
11	SM-70511	Motor Gasket	1
13	SM-70513	Ball Bearing	2
14	SM-70514	End Plate	2
15	SM-70515	Rotor	1
16	SM-70516	Rotor Blade	5
17	SM-70717	Pin	1

Index	Part No.	Description	Qty.
18	SM-70518	Cylinder	1
19	SM-70519	Spacer	1
22	SM-70522	Internal Gear	1
23	SM-70523	Planet Gear	3
24	SM-70524	Pin	3
25	SM-70525	Bushing	3
26	SM-70526	Work Spindle	1
28	SM-70528	Ball Bearing	2
29	SM-70529	Chuck Spacer	1
30	SM-70531	O-Ring	1
31	SM-70532	Exhaust Deffiser	1
32	SM-70533	Screw	2
33	SM-70534	Clamp Nut	1
34	QC-50	Screwdriver Attachment	1
35	SM-70538	Set Screw	1

11052015Rev2HMB | NP