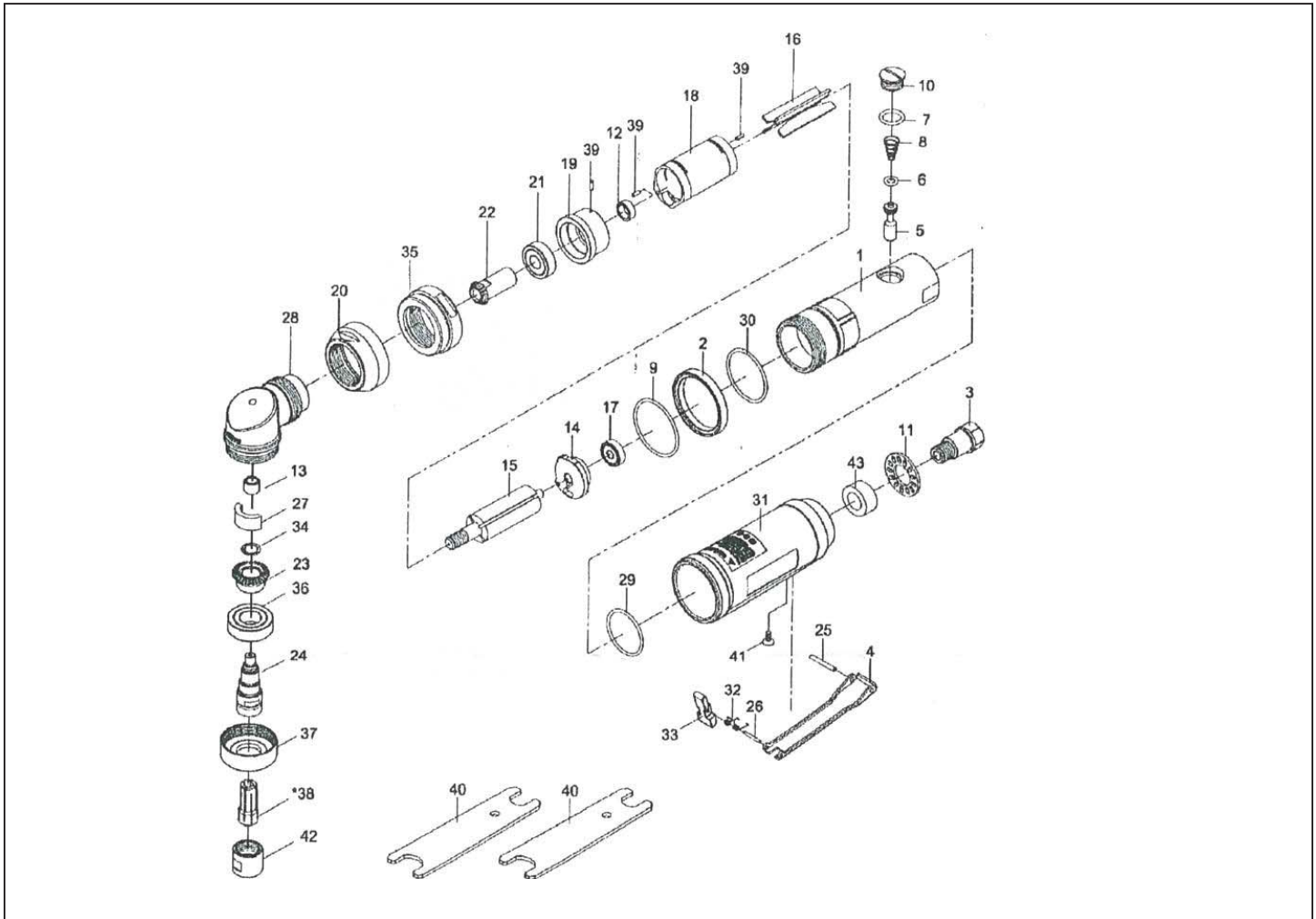




MICHIGAN PNEUMATIC TOOL, INC.

MP-5290B-4 1/4" Angle Die Grinder



Index	Part No.	Description	Qty.
1	50-520001	Motor Housing	1
2	50-520002	Decoration Ring	1
3	50-520003	Air Inlet	1
4	5J-842304	Throttle Lever	1
5	50-520005	Valve Shaft	1
6	70107	O-Ring (04.8x01.9)	1
7	70123	O-Ring (011.8x02.4)	1
8	50-520008	Spring	1
9	OR04000200	O-Ring (040x02)	1
10	50-520010	Plug	1
11	50-520011	Diffuser	1
12	5K-3011B11	Rotor Bushing	1
13	0BK0709	Needle Bearing	1
14	5K-3011B14	Rear End Plate	1
15	50-520015	Rotor	1
16	5K-3011B16	Rotor Blade	4
17	030113	Ball Bearing (626ZZ)	1
18	5L-520018	Cylinder	1
19	52-520019	Front End Plate	1
20	52-520020	Connector Nut	1
21	051220	Ball Bearing (6000ZZ)	1
22	52-520022	Bevel Gear	1
23	52-520023	Bevel Gear	2

Index	Part No.	Description	Qty.
24	52-520124	Spindle	1
25	30102	Spring Pin (03x24L)	1
26	40128-21	Spring Pin (02x16L)	1
27	52-520027	Felt Oiler	1
28	52-520028	Front Housing	1
29	OR03105200	O-Ring (031.5x02)	1
30	40126	O-Ring (035.5x02)	1
31	50-520052	Grip	1
32	51541	Spring	1
33	5J-842350	Safety Bar	1
34	709112R	Snap Ring (ISTW-10)	1
35	52-520035	Clamp Nut	1
36	070329	Ball Bearing (6002ZZ)	1
37	52-520030	Clamp Nut	1
38	50-500228-11	Collet Chuck (1/4")	1
	50-500228-13	Collet Chuck (3mm)	1
	50-500228-16	Collet Chuck (6mm)	1
	50-500228-18	Collet Chuck (8mm)	1
39	72017	Spring Pin (02.5x6L)	3
40	51228	Spanner (14mm, 19mm)	2
41	5G-321V30	Screw (M4x8L)	1
42	50-500223	Collet Nut	1
43	5L-520020	Muffler	1