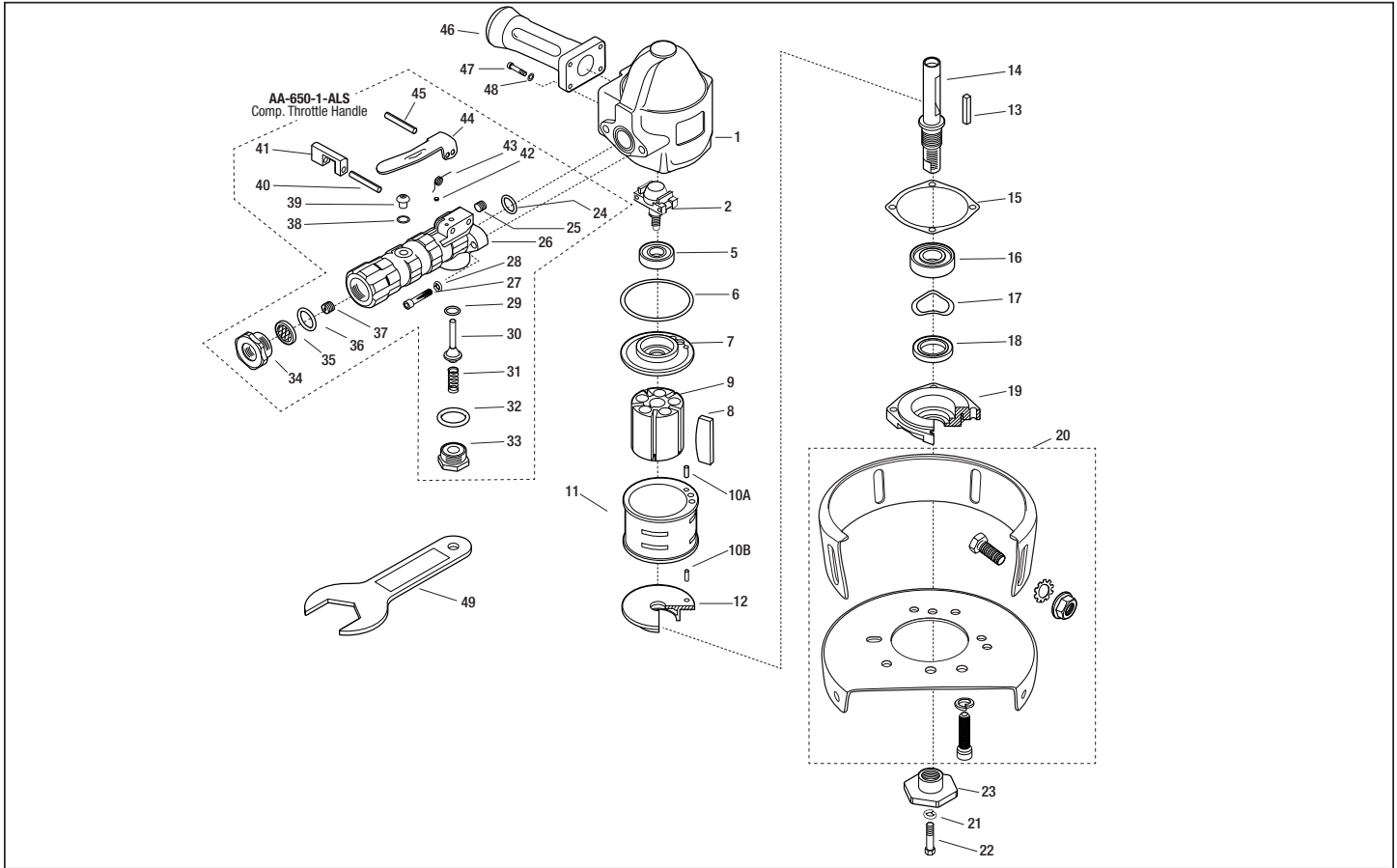




# MICHIGAN PNEUMATIC TOOL, INC. MP-5666VSC-ORANGE

6" Cup Guard Grinder



Index	Part No.	Description	Qty.
1	560-1	Motor Housing	1
2	AA-550-60	6000 RPM Governor	1
5	700-9	Bearing (Upper)	1
6	550-13	Rear Gasket	1
7	550-3	Rear End Plate	1
8	550-6	Rotor Blades	5
9	550-5	Rotor	1
10A	700-37	Cylinder Pin	1
10B	SNP-3.49.6	Cylinder Pin	1
11	550-2	Cylinder	1
12	560-10	Front End Plate	1
13	550-10	Key	1
14	550-8	Spindle	1
15	560-1-BTG	Gasket	1
16	700-7	Bearing (Lower)	1
17	560-20	Wave Spring Washer	1
18	650-H-14	Seal	1
19	550-1-B	Bearing Support	1
20	92406	6" Cup Wheel Guard	1
21	700-46	Lock Washer	1
22	700-47A	Cap Screw	1
23	550-12-B	Wheel Flange	1
24	700-30	O-Ring	1
-	AA-650-1-ALS	Throttle Handle Comp. (Incl. * parts)	-
25	400-37*	Pipe Plug	1

Index	Part No.	Description	Qty.
26	650-1-ALS	Throttle Handle	1
27	700-48	Cap Screw	2
28	700-54	Lock Washer	2
29	200-9	O-Ring	1
30	560-13	Throttle Valve Assembly (Incl. 200-9)	1
31	650-51	Throttle Valve Spring	1
32	650-118	O-Ring	1
33	700-S-26	Throttle Valve Cap	1
34	550-33	Inlet Cap	1
35	650-35	Air Screen	1
36	650-61	Air Screen O-Ring	1
37	400-33P	Oil Regulator	1
38	832636	Oiler Seal	1
39	700-23	Oiler Plug	1
40	650-54	Lockout Pin	1
41	650-56	Lockout	1
42	650-57	Set Screw	1
43	650-55	Lockout Spring	1
44	550-38	Lever	1
45	550-50	Lever Pin	1
46	550-1-C	Assist Handle	1
47	550-48	Cap Screw	4
48	550-54	Lockwasher	4
49	1100-200	2" End Wrench	1