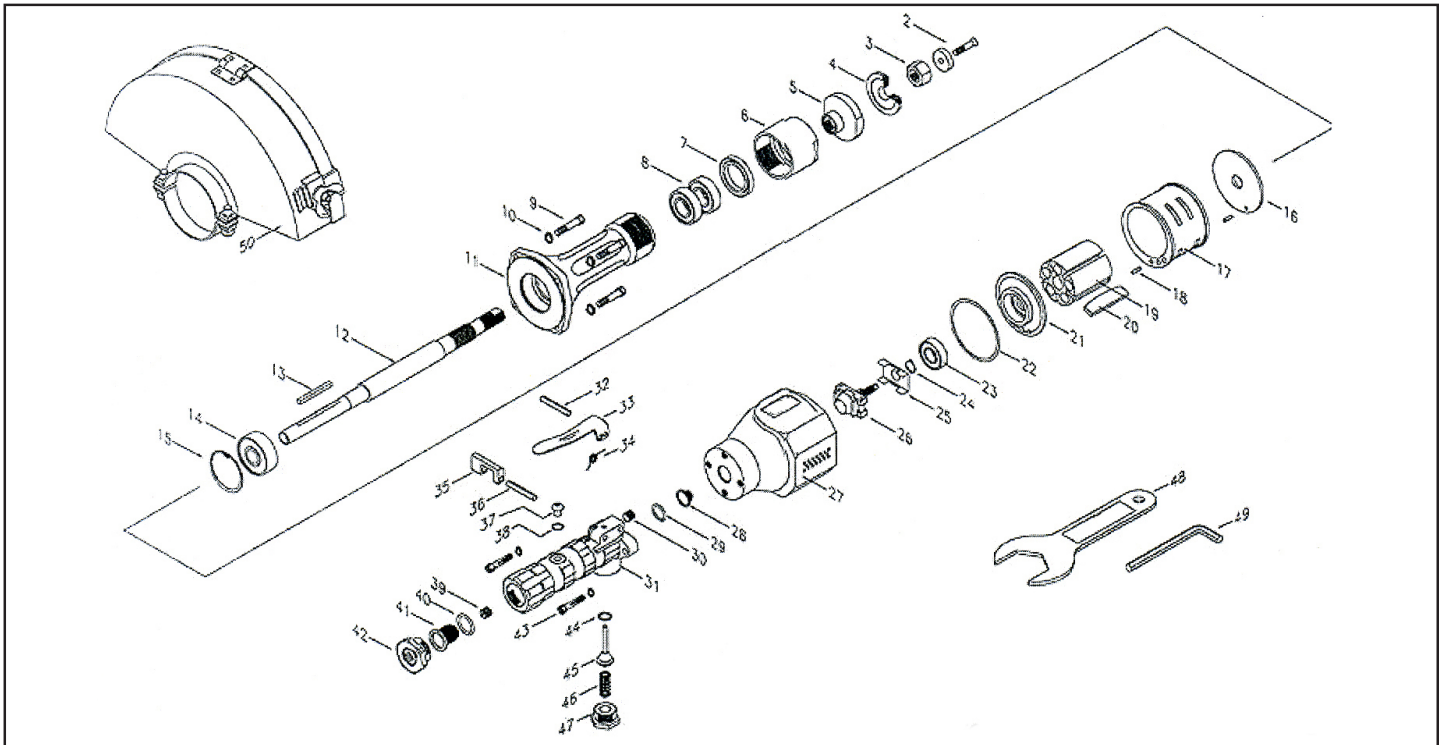




MICHIGAN PNEUMATIC TOOL, INC.

MP-6648HS 8" Straight Grinder



Index	Part No.	Description	Qty.
2	650-60	Collar & Screw	1
3	700-34	Arbor Nut	1
4	540619	8" Wheel Flange	1
5	540620	8" Drive Flange	1
6	650-H-13	Bearing Cap	1
7	650-H-14	Seal	1
8	550-9H	Lower Bearing	2
9	700-47A	Cap Screw	4
10	700-46	Lock Washer	4
11	650-1H	Spindle Housing	1
12	650-8H	Spindle	1
13	700-15	Key	1
14	550-10H	Housing Bearing	1
15	550-11H	Lock Ring	1
16	700-10	Front End Plate	1
17	700-11	Cylinder	1
18	700-37	Roll Pin	2
19	700-12	Rotor	1
20	700-13	Rotor Blades	5
21	700-16	Rear End Plate	1
22	650-13	Rear Gasket	1
23	700-9	Upper Bearing	1
24	1000-5	Lock Ring	1
25	600-48	Governor Retainer	1
26	AA-550-45	4500 rpm Governor Assembly	1

Index	Part No.	Description	Qty.
27	650-1-HC	Motor Housing	1
28	650-34	Air Screen	1
29	700-30	O-Ring	1
30	400-37	Pipe Plug	1
31	AA-650-1-ALS	Safety Throttle Handle Assembly	1
32	550-50	Lever Pin	1
33	550-38	Lever	1
34	650-55	Lockout Spring	1
35	650-56	Lockout	1
36	600-54	Lockout Pin	1
37	700-23	Oiler Plug	1
38	832636	Oiler Seal	1
39	400-33P	Oil Regulator Assembly	1
40	650-61	Air Screen O-Ring	1
41	650-35	Air Screen	1
42	550-33	Inlet Cap	1
43	700-48	Throttle Handle Bolt	4
44	200-9	O-Ring	1
45	560-13	Throttle Valve Assembly	1
46	650-51	Throttle Valve Spring	1
47	700-S-26	Throttle Valve Cap	1
48	SCW-234	2-3/4" Wrench	1
49	1102-015	Allen Wrench	1
50	650-HS-58A	8" Guard	1