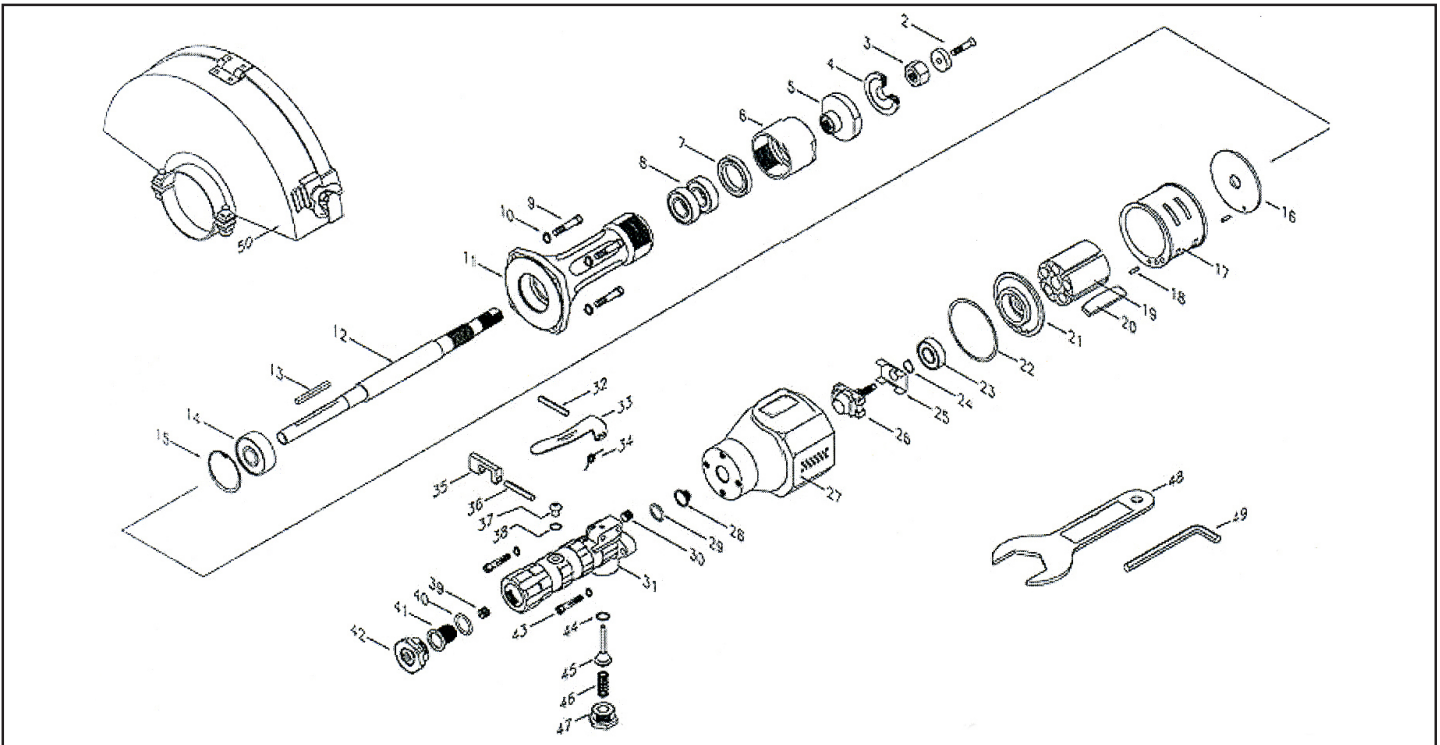




MICHIGAN PNEUMATIC TOOL, INC.

MP-6666HS 6" Straight Grinder



| Index | Part No. | Description | Qty. |
|-------|-----------|----------------------------|------|
| 2 | 650-60 | Collar & Screw | 1 |
| 3 | 700-34 | Arbor Nut | 1 |
| 4 | 700-4 | 6" Wheel Flange | 1 |
| 5 | 700-5 | 6" Drive Flange | 1 |
| 6 | 650-H-13 | Bearing Cap | 1 |
| 7 | 650-H-14 | Seal | 1 |
| 8 | 550-9H | Lower Bearing | 2 |
| 9 | 700-47A | Cap Screw | 4 |
| 10 | 700-46 | Lock Washer | 4 |
| 11 | 650-1H | Spindle Housing | 1 |
| 12 | 650-8H | Spindle | 1 |
| 13 | 700-15 | Key | 1 |
| 14 | 550-10H | Housing Bearing | 1 |
| 15 | 550-11H | Lock Ring | 1 |
| 16 | 700-10 | Front End Plate | 1 |
| 17 | 700-11 | Cylinder | 1 |
| 18 | 700-37 | Roll Pin | 2 |
| 19 | 700-12 | Rotor | 1 |
| 20 | 700-13 | Rotor Blades | 5 |
| 21 | 700-16 | Rear End Plate | 1 |
| 22 | 650-13 | Rear Gasket | 1 |
| 23 | 700-9 | Upper Bearing | 1 |
| 24 | 1000-5 | Lock Ring | 1 |
| 25 | 600-48 | Governor Retainer | 1 |
| 26 | AA-550-60 | 6000 rpm Governor Assembly | 1 |

| Index | Part No. | Description | Qty. |
|-------|--------------|---------------------------------|------|
| 27 | 650-1-HC | Motor Housing | 1 |
| 28 | 650-34 | Air Screen | 1 |
| 29 | 700-30 | O-Ring | 1 |
| 30 | 400-37 | Pipe Plug | 1 |
| 31 | AA-650-1-ALS | Safety Throttle Handle Assembly | 1 |
| 32 | 550-50 | Lever Pin | 1 |
| 33 | 550-38 | Lever | 1 |
| 34 | 650-55 | Lockout Spring | 1 |
| 35 | 650-56 | Lockout | 1 |
| 36 | 600-54 | Lockout Pin | 1 |
| 37 | 700-23 | Oiler Plug | 1 |
| 38 | 832636 | Oiler Seal | 1 |
| 39 | 400-33P | Oil Regulator Assembly | 1 |
| 40 | 650-61 | Air Screen O-Ring | 1 |
| 41 | 650-35 | Air Screen | 1 |
| 42 | 550-33 | Inlet Cap | 1 |
| 43 | 700-48 | Throttle Handle Bolt | 4 |
| 44 | 200-9 | O-Ring | 1 |
| 45 | 560-13 | Throttle Valve Assembly | 1 |
| 46 | 650-51 | Throttle Valve Spring | 1 |
| 47 | 700-S-26 | Throttle Valve Cap | 1 |
| 48 | SN-51 | 2" Wrench | 1 |
| 49 | 1102-015 | Allen Wrench | 1 |
| 50 | 650-HS-56A | 6" Guard | 1 |