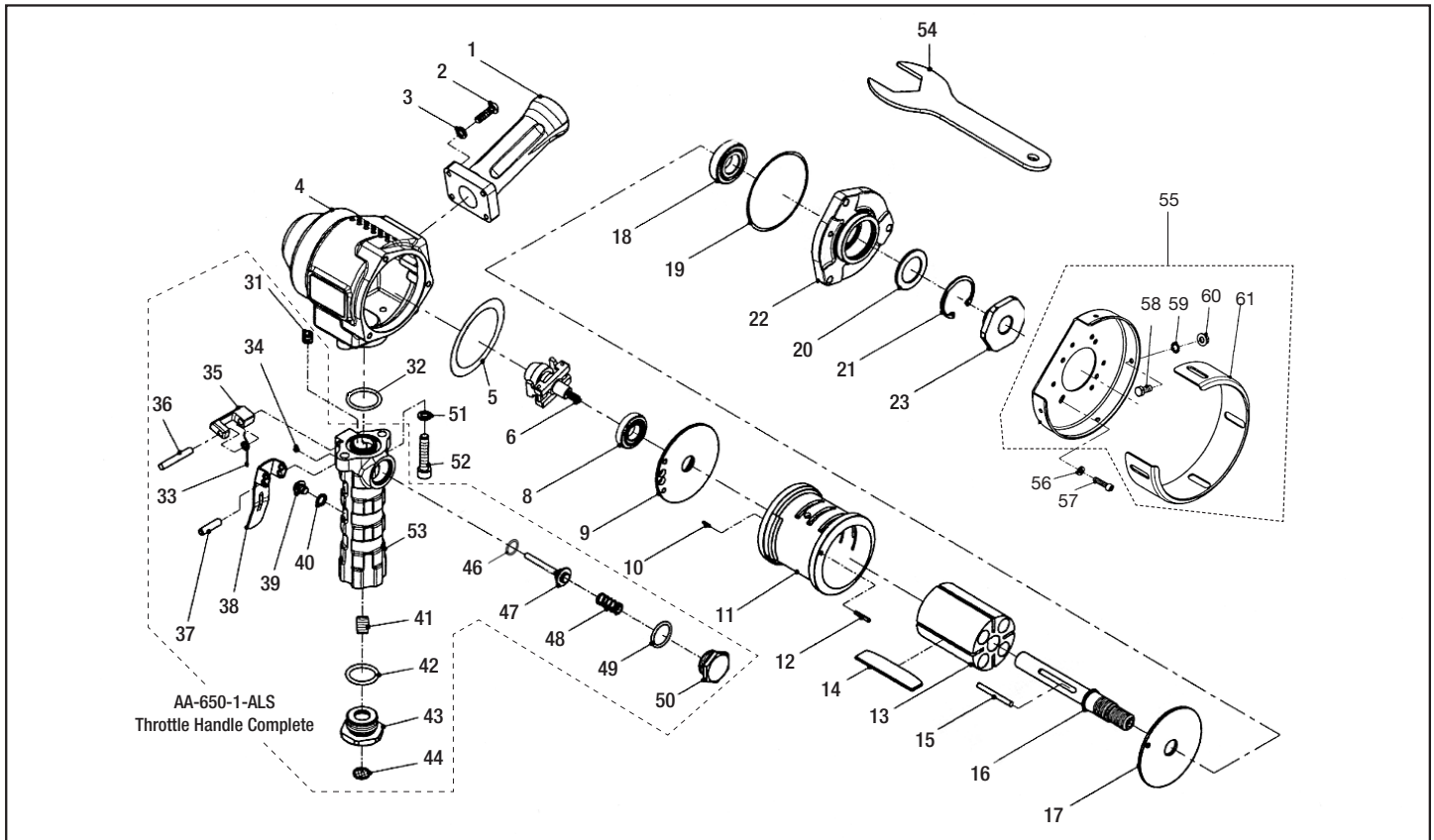




MICHIGAN PNEUMATIC TOOL, INC.

MP-6666VSC-ORANGE Vertical Grinder w/ 6" Cup Guard



Index	Part No.	Description	Qty.
1	550-1-C	Assist Handle	1
2	550-48	Cap Screw	4
3	550-54	Lock Washer	4
4	650-1	Motor Housing	1
5	650-13	Rear Gasket	1
6	AA-550-60	6000 RPM Governor	1
8	700-9	Bearing (Upper)	1
9	700-16	Rear End Plate	1
10	SNP-2.510	Roll Pin	1
11	700-11	Cylinder	1
12	SNP-320	Roll Pin	1
13	700-12	Rotor	1
14	700-13	Rotor Blades	4
15	700-15	Key	1
16	650-8	Spindle	1
17	700-10	Front End Plate	1
18	700-7	Bearing (Lower)	1
19	568-042BN70	O-Ring	1
20	550-25	Washer	1
21	550-21	Snap Ring	1
22	660-1-B	Bearing Support	1
23	550-12-B	Wheel Flange	1
-	AA-650-1-ALS	Throttle Handle Comp. (Incl. * parts)	-
31	400-37*	Pipe Plug	1
32	700-30	O-Ring	1

Index	Part No.	Description	Qty.
33	650-55*	Lockout Spring	1
34	650-57*	Set Screw	1
35	650-56*	Lockout	1
36	650-54*	Lockout Pin	1
37	550-50*	Lever Pin	1
38	550-38*	Lever	1
39	700-23*	Oiler Plug	1
40	832636*	Oiler Seal	1
41	400-33P*	Oil Regulator	1
42	650-61*	Air Screen O-Ring	1
43	550-33*	Inlet Cap	1
44	650-35*	Air Screen	1
46	200-9*	O-Ring	1
47	560-13*	Throttle Valve Assembly (Incl. 200-9)	1
48	650-51*	Throttle Valve Spring	1
49	650-118*	O-Ring	1
50	700-S-26*	Throttle Valve Cap	1
51	700-54	Lock Washer	1
52	700-48	Cap Screw	2
53	650-1-ALS*	Throttle Handle	2
54	1100-200	2" End Wrench	1
55	92406	6" Cup Guard (Complete)	1
56	700-46	Lock Washer	3
57	700-47A	Cap Screw	3

Note: parts 58-61 not available separately