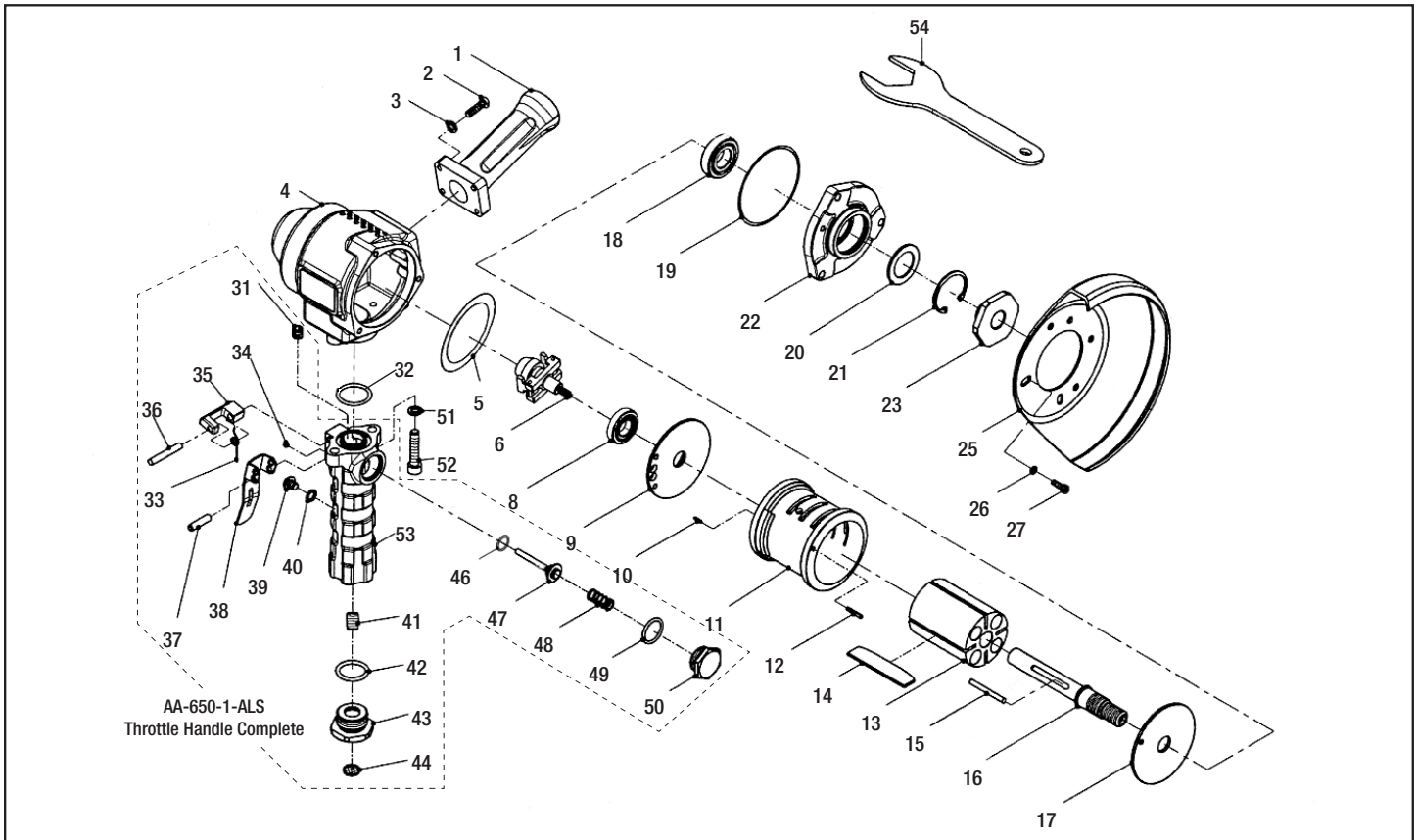




**MICHIGAN PNEUMATIC TOOL, INC.**

# MP-6669VS-ORANGE 9" Vertical Grinder



| Index | Part No.    | Description       | Qty. |
|-------|-------------|-------------------|------|
| 1     | 550-1-C     | Assist Handle     | 1    |
| 2     | 550-48      | Cap Screw         | 4    |
| 3     | 550-54      | Lock Washer       | 4    |
| 4     | 650-1       | Motor Housing     | 1    |
| 5     | 650-13      | Rear Gasket       | 1    |
| 6     | AA-550-60   | 6000 RPM Governor | 1    |
| 8     | 700-9       | Bearing (Upper)   | 1    |
| 9     | 700-16      | Rear End Plate    | 1    |
| 10    | SNP-2.510   | Roll Pin          | 1    |
| 11    | 700-11      | Cylinder          | 1    |
| 12    | SNP-320     | Roll Pin          | 1    |
| 13    | 700-12      | Rotor             | 1    |
| 14    | 700-13      | Rotor Blades      | 4    |
| 15    | 700-15      | Key               | 1    |
| 16    | 650-8       | Spindle           | 1    |
| 17    | 700-10      | Front End Plate   | 1    |
| 18    | 700-7       | Bearing (Lower)   | 1    |
| 19    | 568-042BN70 | O-Ring            | 1    |
| 20    | 550-25      | Washer            | 1    |
| 21    | 550-21      | Snap Ring         | 1    |
| 22    | 660-1-B     | Bearing Support   | 1    |
| 23    | 550-12-B    | Wheel Flange      | 1    |
| 25    | 700-201     | 9" Guard          | 1    |
| 26    | 700-46      | Lock Washer       | 3    |
| 27    | 700-47A     | Cap Screw         | 3    |

| Index | Part No.     | Description                           | Qty. |
|-------|--------------|---------------------------------------|------|
| -     | AA-650-1-ALS | Throttle Handle Comp. (Incl. * parts) | -    |
| 31    | 400-37*      | Pipe Plug                             | 1    |
| 32    | 700-30       | O-Ring                                | 1    |
| 33    | 650-55*      | Lockout Spring                        | 1    |
| 34    | 650-57*      | Set Screw                             | 1    |
| 35    | 650-56*      | Lockout                               | 1    |
| 36    | 650-54*      | Lockout Pin                           | 1    |
| 37    | 550-50*      | Lever Pin                             | 1    |
| 38    | 550-38*      | Lever                                 | 1    |
| 39    | 700-23*      | Oiler Plug                            | 1    |
| 40    | 832636*      | Oiler Seal                            | 1    |
| 41    | 400-33P*     | Oil Regulator                         | 1    |
| 42    | 650-61*      | Air Screen O-Ring                     | 1    |
| 43    | 550-33*      | Inlet Cap                             | 1    |
| 44    | 650-35*      | Air Screen                            | 1    |
| 46    | 200-9*       | O-Ring                                | 1    |
| 47    | 560-13*      | Throttle Valve Assembly (Incl. 200-9) | 1    |
| 48    | 650-51*      | Throttle Valve Spring                 | 1    |
| 49    | 650-118*     | O-Ring                                | 1    |
| 50    | 700-S-26*    | Throttle Valve Cap                    | 1    |
| 51    | 700-54       | Lock Washer                           | 2    |
| 52    | 700-48       | Cap Screw                             | 2    |
| 53    | 650-1-ALS*   | Throttle Handle                       | 1    |
| 54    | 1100-200     | 2" End Wrench                         | 1    |