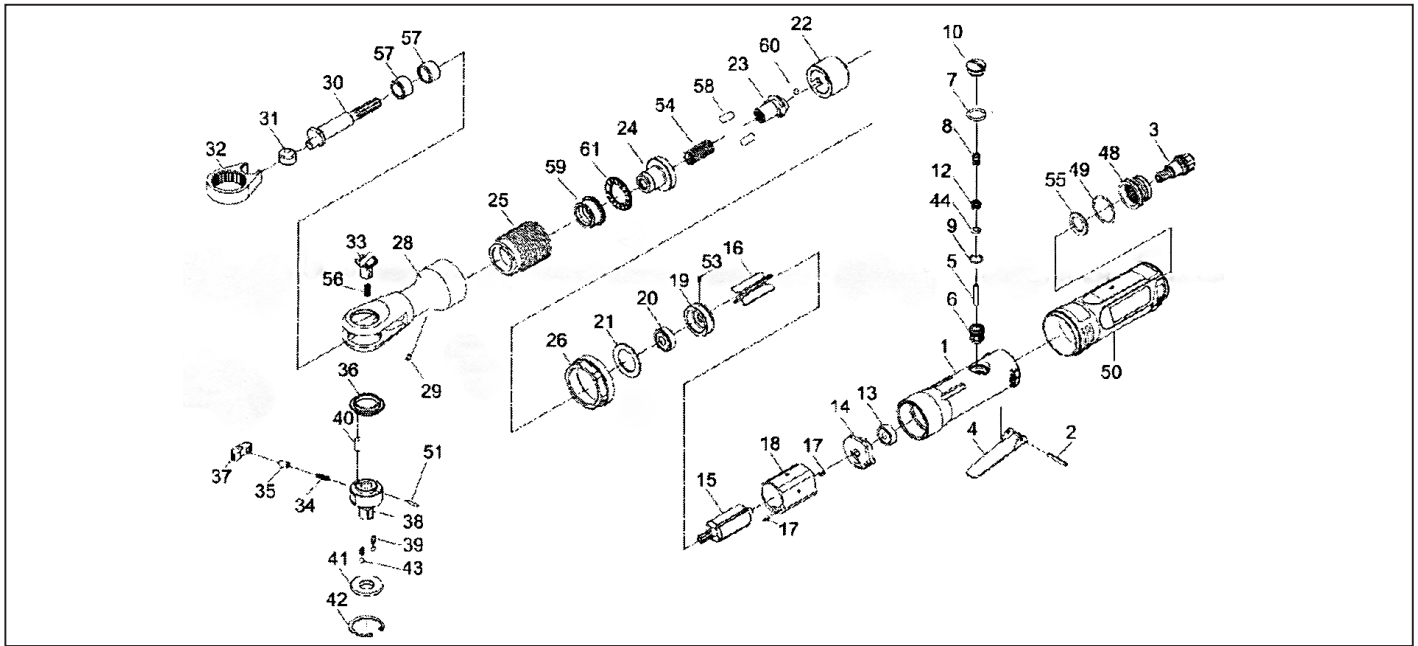




**MICHIGAN PNEUMATIC TOOL, INC.**

# MP-7132-ST 1/2" Drive Impact Ratchet Wrench



Index	Part No.	Description	Qty.
1	33-312301	Housing	1
2	50102	Spring Pin (Ø3x22L)	1
3	33-312303	Air Inlet	1
4	33-301304	Throttle Lever	1
5	33-301305	Throttle Shaft	1
6	33-312306	Bushing	1
7	706109	O-Ring (14x1.8)	1
8	33-301308	Spring	1
9	OR01000105	O-Ring (10x1.5)	1
10	33-312310	Valve Plug	1
12	33-301307	Throttle Valve	1
13	Ø52213	Ball Bearing (696ZZ)	1
14	34-301704	Rear End Plate	1
15	34-301715	Rotor	1
16	30116	Rotor Blade	4
17	30117	Spring Pin (Ø1.5x6L)	2
18	34-301718	Cylinder	1
19	34-301719	Front End Plate	1
20	Ø30120	Ball Bearing (608ZZ)	1
21	34-301721	Washer	1
22	34-301740	Mechanism Housing	1
23	34-301734	Mechanism Anvil	1
24	34-301736	Mechanism Cover	1
25	34-301735	Coupling Sleeve	1
26	34-301717	Coupling Nut	1
28	34-301728	Ratchet Housing	1
29	41-401254	Oil Cap (1/8")	1
30	34-301730	Crank Shaft	1

Index	Part No.	Description	Qty.
31	34-301729	Drive Bushing	1
32	33-301332	Yoke	1
33	34-301733	Reverse Button	1
34	34-301732	Spring	1
35	34-301731	Lock Pin	1
36	34-301741	Washer	1
37	30137	Ratchet Pawl	1
38	34-301738	Ratchet Anvil 1/2"	1
39	30139	Spring	2
40	30140	Pin (Ø4.5x12.7L)	1
41	34-301742	Thrust Washer	1
42	30142	Retainer Ring (RTW-31.5)	1
43	30143	Steel Ball (5/32")	2
44	30107	O-Ring (3.8x1.9)	1
48	33-302311	Deflector	1
49	OR02607108	O-Ring (26.7x1.78)	1
50	33-312352	Grip	1
51	PN02000608	Pin (Ø2x6.8L)	1
53	70117	Spring Pin (2x5L)	1
54	34-301752	Spring	1
55	33-302312	Damping Material	1
56	34-301753	Spring	1
57	Ø30129	Needle Bearing (HK1212)	2
58	PN06001108	Pin (Ø6x11.8L)	1
59	34-301724	Bushing	1
60	AS000143	Steel Ball (3/16")	1
61	ONTB1831	Thrust Bearing	1

06262015Rev3 HMB | NP