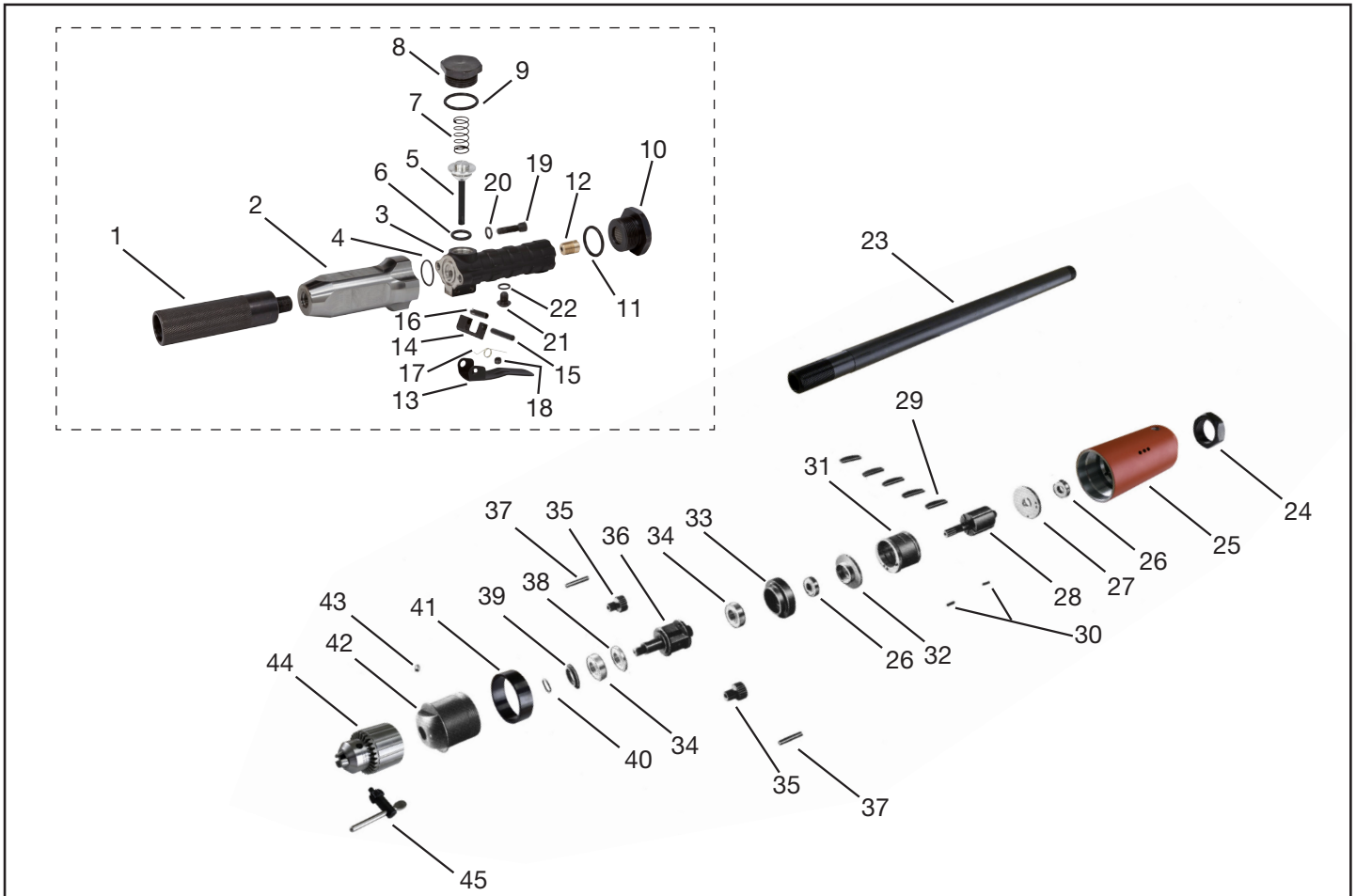




# MICHIGAN PNEUMATIC TOOL, INC.

## MP-719T2 Floor Drill



Index	Part No.	Description	Qty.
1	834-48	Dead Handle	1
2	719H01	T-Handle Center Adapter	1
3	650-1-ALS	Bare Throttle Handle	1
4	568-122BN70	O-Ring	1
5	560-13	Throttle Valve Assembly	1
6	OR-6227-8	O-Ring	1
7	650-51	Throttle Valve Spring	1
8	700-5-26	Throttle Valve Cap	1
9	568-118BN70	O-Ring	1
10	550-33	Inlet Cap w/Screen	1
11	OR-6227-15	O-Ring	1
12	400-33P	Oil Regulator	1
13	550-38	Lever	1
14	650-56	Lockout	1
15	650-54	Lockout Pin	1
16	SNP-6.325.4	Spring Knock Pin	1
17	650-55	Lockout Spring	1
18	650-57	Set Screw	1
19	700-48	Cap Screw	2
20	700-54	Spring Washer	2
21	700-23	Oiler Plug	1
22	HG-36187	Oiler Gasket	1
23	RG-06150	Pipe	1

Index	Part No.	Description	Qty.
24	61658	Jam Nut	1
25	D-21101T	Motor Housing	1
26	B-6001ZZ	Ball Bearing	2
27	D-21227	Top Plate	1
28	D-21234	Rotor	1
29	D-21241	Vane	5
30	SNP-2.58	Cylinder Spring Pin	2
31	D-21201	Cylinder	1
32	D-21229	Bottom Plate	1
33	D-21260	Bearing Cover	1
34	B-6003ZZ	Ball Bearing	1
35	D-21703	Planet Gear	2
36	D-21502	Spindle	1
37	NP-6.3536	Gear Knock Pin	2
38	15100830	Washer	1
39	D-21608	Spacer	1
40	OR-6227-12	O-Ring	1
41	D-21716SPC	Motor Housing Spacer	1
42	D-71701	Gear Case	1
43	GN-15	Grease Nipple	1
44	33BA-0.500	Chuck	1
45	K32	Chuck Key	1

03252016Rev4HMB | DD