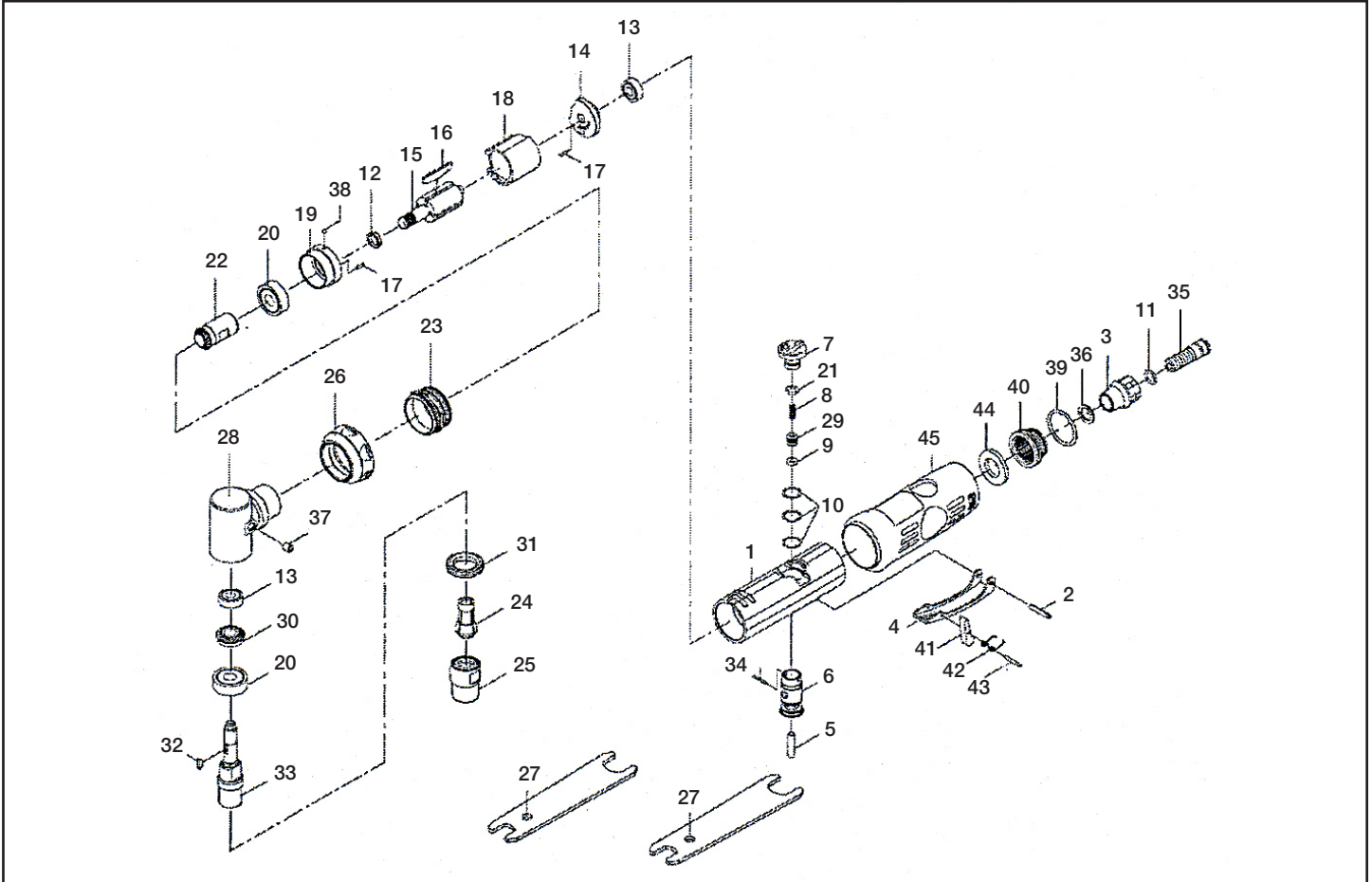




MICHIGAN PNEUMATIC TOOL, INC.

MP-7252-ST 90° Angle Die Grinder 1/4"



Index	Part No.	Description	Qty.
1	52-522701	Motor Housing	1
2	40337	Lever Pin	1
3	522203-21	Air Inlet	1
4	522204	Throttle Lever	1
5	522205	Valve Shaft	1
6	52-522706	Valve	1
7	52-522738	Knob	1
8	522208	Spring	1
9	30107	O-Ring	1
10	52236	O-Ring	3
11	OR00705105	O-Ring	1
12	52212	Rotor Spacer	1
13	52213	Ball Bearing	2
14	52214	Rear End Plate	1
15	52215	Rotor	1
16	52216	Vane	4
17	30117	Spring Pin	2
18	52218	Cylinder	1
19	52219	Front End Plate	1
20	30120	Ball Bearing	2
21	40333-12	O-Ring	1
22	52222	Pinion Gear	1
23	522223	Front Coupling	1

Index	Part No.	Description	Qty.
24	51224	Collet	1
25	52225	Collet Nut	1
26	522226	Front Cap	1
27	52227	Spanner	2
28	56228	Head	1
29	522240	Throttle Valve	1
30	52230	Bevel Gear	1
31	52231	Lock Ring	1
32	52232	Key	1
33	52233	Spindle	1
34	SP01051200	Spring Pin	1
35	522241-21	Fixed Shaft	1
36	522243	Washer	1
37	56237	Oil Cap	1
38	52245	Steel Ball	1
39	52235	O-Ring	1
40	52206	Deflector	1
41	522239	Safety Bar	1
42	522212	Spring	1
43	522220	Spring Pin	1
44	522250	Damping Material	1
45	52-522752	Grip	1

06232015Rev2HMB | NP