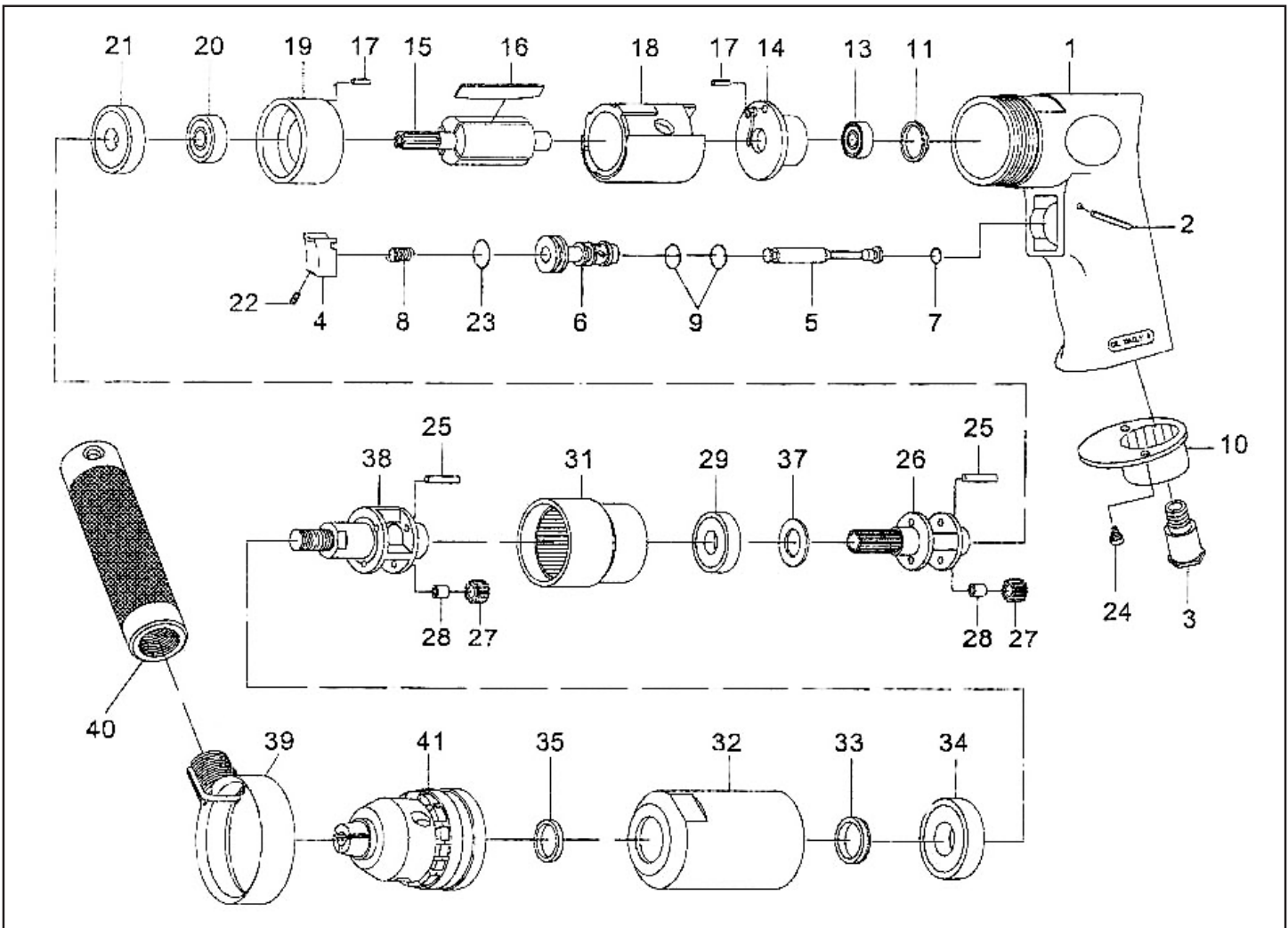




MICHIGAN PNEUMATIC TOOL, INC.

MP-7803-ST 1/2" Heavy Duty Air Drill with Jacobs Chuck



Index	Part No.	Description	Qty.
1	70101	Motor Housing	1
2	73402	Spring Pin (2.5*22L)	1
3	70103	Air Inlet	1
4	70104	Trigger	1
5	70105	Valve Stem	1
6	70106	Valve Bushing	1
7	70107	O-Ring (4.8*1.9)	1
8	70108	Valve Spring	1
9	70109	O-Ring (9.8*1.9)	2
10	70110	Exhaust Diffuser	1
11	30111	Cap	1
13	030113	Ball Bearing (626ZZ)	1
14	70114	End Plate	1
15	70315	Rotor	1
16	51216	Rotor Blades	4
17	72017	Spring Pin (2.5*6L)	2
18	70118	Cylinder	1
19	70119	Front End Plate	1
20	030120	Ball Bearing (608ZZ)	1

Index	Part No.	Description	Qty.
21	040313	Ball Bearing (6001)	1
22	70935	Set Screw (M4*8L)	1
23	70123	O-Ring (11.8*2.4)	1
24	40309	Screw (TS2.9)	2
25	70325	Pin (1/8"*18L)	5
26	70326	Planet Cage	1
27	70327	Planet Gear (19T)	5
28	70328	Bushing	1
29	070329	Ball Bearing (6002ZZ)	1
31	70331	Internal Gear	1
32	70332	Front Housing	1
33	70333	Seal	1
34	070334	Ball Bearing (EE5)	1
35	70133	Chuck Spacer	1
37	70337	Washer	1
38	70338	Planet Cage	1
39	70339	Retainer	1
40	70340	Handle	1
41	10033-11	Key Chuck (1/2")	1

02152016Rev2HMB | NP