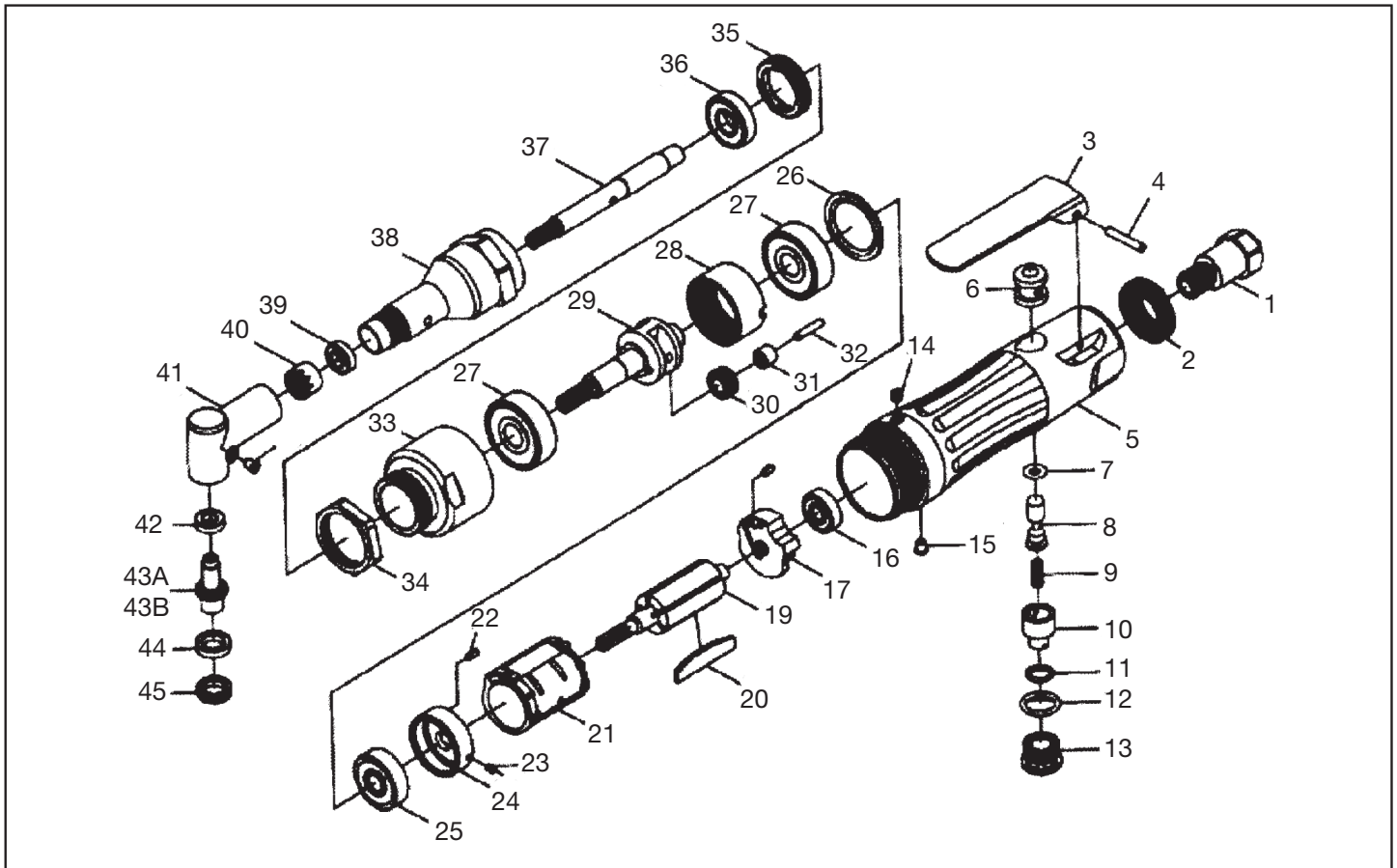




**MICHIGAN PNEUMATIC TOOL, INC.**

**MP-9030 1/4-28" Right Angle Straight Drill**

**MP-9030-9/32-40 9/32-40" Right Angle Straight Drill**



Index	Part No.	Description	Qty.
1	903001	Inlet	1
2	903002	Muffler	1
3	903003	Lever	1
4	903004	Pin	1
5	903005	Housing	1
6	903006	Valve Bushing	1
7	903007	O-Ring	1
8	903008	Valve Stem	1
9	903009	Valve Spring	1
10	903010	Regulator	1
11	903011	O-Ring	1
12	903012	O-Ring	1
13	903013	Plug	1
14	903014	Set Screw	1
15	903015	Grease Fitting	2
16	903016	Ball Bearing	1
17	903017	End Plate	1
18	903018	Locating Pin	1
19	903019	Rotor	1
20	903020	Vanes	5
21	903021	Cylinder	1
22	903022	Locating Pin	1
23	903023	Locating Pin	1

Index	Part No.	Description	Qty.
24	903024	Front Plate	1
25	903025	Ball Bearing	1
26	903026	Spacer	1
27	903027	Ball Bearing	2
28	903028	Ring Gear	1
29	903029	Carrier	1
30	903030	Idler Gear	2
31	903031	Needle Bearing	2
32	903032	Pin	2
33	903033	Adapter	1
34	903034	Lock Nut	1
35	903035	Lock Ring	1
36	903036	Ball Bearing	1
37	903037	Spindle	1
38	903038	Adapter Housing	1
39	903039	Ball Bearing	1
40	903040	Pinion	1
41	903041	Angle Housing	1
42	903042	Ball Bearing	1
43A	903043	Spindle Gear 1/4-28	1
43B	903043-93240	Spindle Gear 9/32-40	1
44	903044	Ball Bearing	1
45	903045	Lock Ring	1

03042016Rev2HMB | NP