



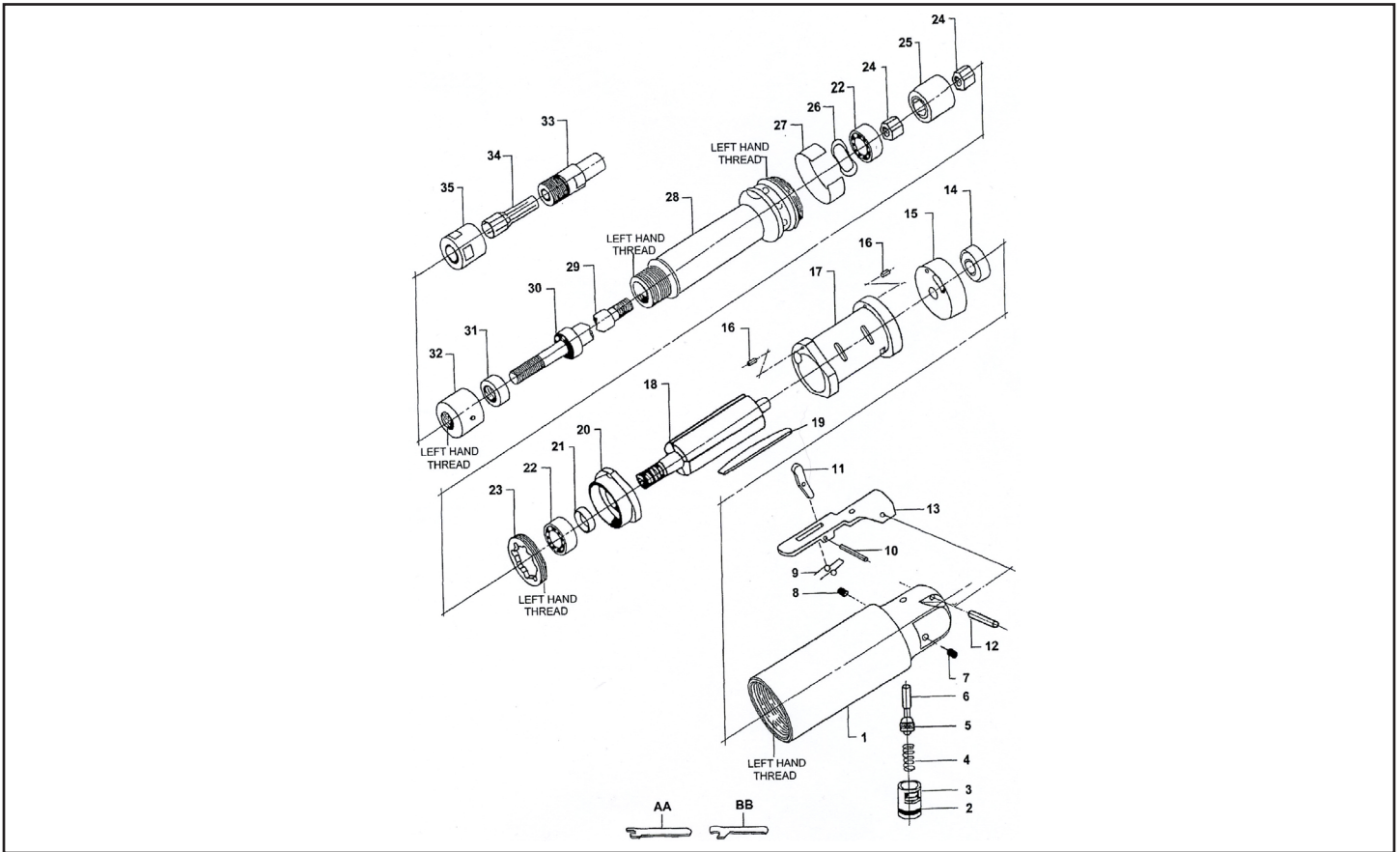
MICHIGAN PNEUMATIC TOOL, INC.

MP-9113E-14 - 1/4" Collet Extended Grinder

MP-9113AE-14 - 1/4" Collet Extended Grinder

MP-9113E-38 - 3/8" Collet Extended Grinder

MP-9113AE-38 - 3/8" Collet Extended Grinder



Index	Part No.	Description	Qty.
1	G-3649	Steel Motor Housing (Alum. G-3649A)	1
2	G-3001	O-Ring	1
3	G-3180	Throttle Valve Cap	1
4	G-3181	Throttle Valve Spring	1
5	G-3083	O-Ring	1
6	G-3179	Throttle Valve	1
7	G-3193	Set Screw	1
8	GA-3293	Locking Set Screw	1
9	G-3855	Cam spring	1
10	G-3155	Cam Pin	1
11	G-3105	Lever Cam	1
12	G-3089	Lever Pin	1
13	G-3106	Safety Throttle Lever	1
14	G-3412	Rear Motor Bearing	1
15	G-3182	Rear End Plate	1
16	G-3791	Liner Pins	2
17	G-3183	Liner	1
18	G-3184	Rotor	1
19	G-3191	Rotor Blades	4

Index	Part No.	Description	Qty.
20	G-3185	Front End Plate	1
21	G-3192	Bearing Spacer	1
22	G-3326	Front End Plate & Spindle Bearing	2
23	G-3187	Motor Clamp Nut	1
24	GE-3197	Rotor & Spindle Nut	2
25	GE-3198	Coupling	1
26	GE-3200	Bearing Load Spring	1
27	GA-3190	Exhaust Deflector	1
28	GE-3799	Spindle Housing	1
29	GE-3798C	Spindle	1
30	GA-3878	Bearing	1
31	GA-3819	Bearing	1
32	GE-3036	Bearing Clamp Nut	1
33	G-3256	Shank	1
34	G-3729	Collet 1/4" (Collet 3/8" G-3375)	1
35	G-3255	Collet Nut	1
AA	G-3327	Collet Wrench 3/4"	1
BB	G-3858	Spindle Wrench 9/16"	1