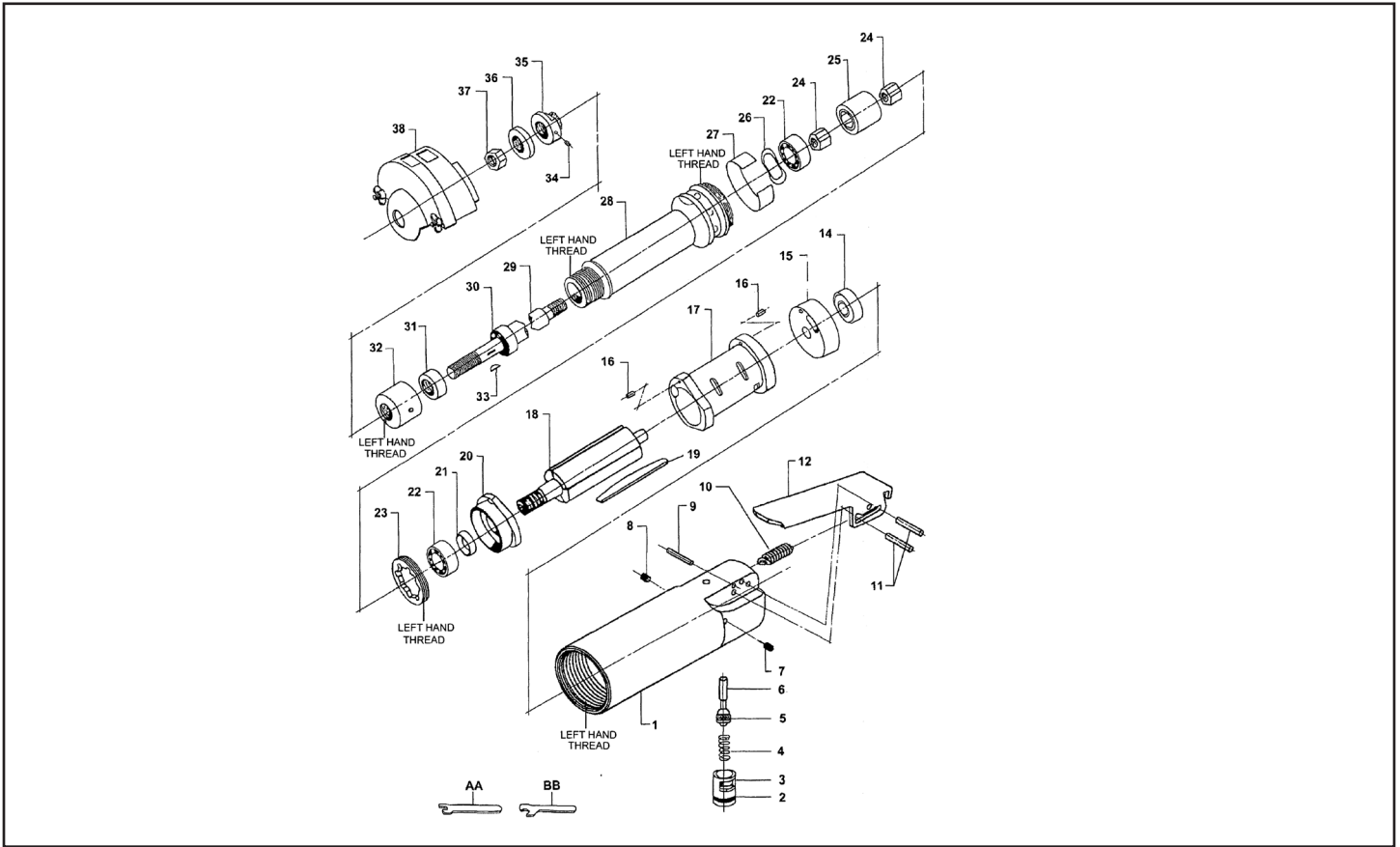




MICHIGAN PNEUMATIC TOOL, INC.

MP-9115-EW 3" Straight Grinder



Index	Part No.	Description	Qty.
1	G-3316-18	Motor Hsg Steel/Alum. G-3316A-18	1
2	G-3001	O-Ring	1
3	G-3319	Throttle Valve Cap	1
4	G-3181	Throttle Valve Spring	1
5	G-3083	O-Ring	1
6	G-3179	Throttle Valve	1
7	G-3193	Set Screw - Dognose	1
8	GA-3293	Set Screw - Blunt	1
9	G-3726	Spring Roll Pin	1
10	G-3098	Spring	1
11	G-3660	Lever Pin	2
12	G-3087	Throttle Lever	1
14	G-3412	Rear End-Plate Bearing	1
15	G-3182	Rear End Plate	1
16	G-3791	Liner Pins	2
17	G-3183	Liner	1
18	G-3184	Rotor	1
19	G-3191	Rotor Blades	4
20	G-3185	Front End Plate	1
21	G-3192	Bearing Spacer	1
22	G-3326	Front End-Plate & Spindle Bearing	2

Index	Part No.	Description	Qty.
23	G-3187	Motor Nut Clamp	1
24	GE-3197	Rotor & Spindle Nut	2
25	GE-3198	Coupling	1
26	GE-3200	Bearing Load Spring	1
27	GA-3190	Exhaust Deflector	1
28	GE-3799	Spindle Housing	1
29	GE-3798W	Spindle	1
30	GA-3878	Bearing	1
31	GA-3819	Bearing	1
32	GE-3036	Bearing Clamp Nut	1
33	GA-3227	Key	1
34	GE-3330	Set Screw	1
35	GE-3949	Wheel Inner Collar	1
36	GE-3810	Wheel Washer	1
37	GE-3260	Wheel Nut	1
38	GE-3939	3" Guard Standard Equipment	1
	GE-3764	4" Guard	
AA	G-3327	Collet Wrench	1
BB	G-3858	Spindle Wrench	1
2,5,14,19,21,22,30,31	GE-4001	Ext Grinder Tune Up Kit	

12212016Rev3CEH | NP