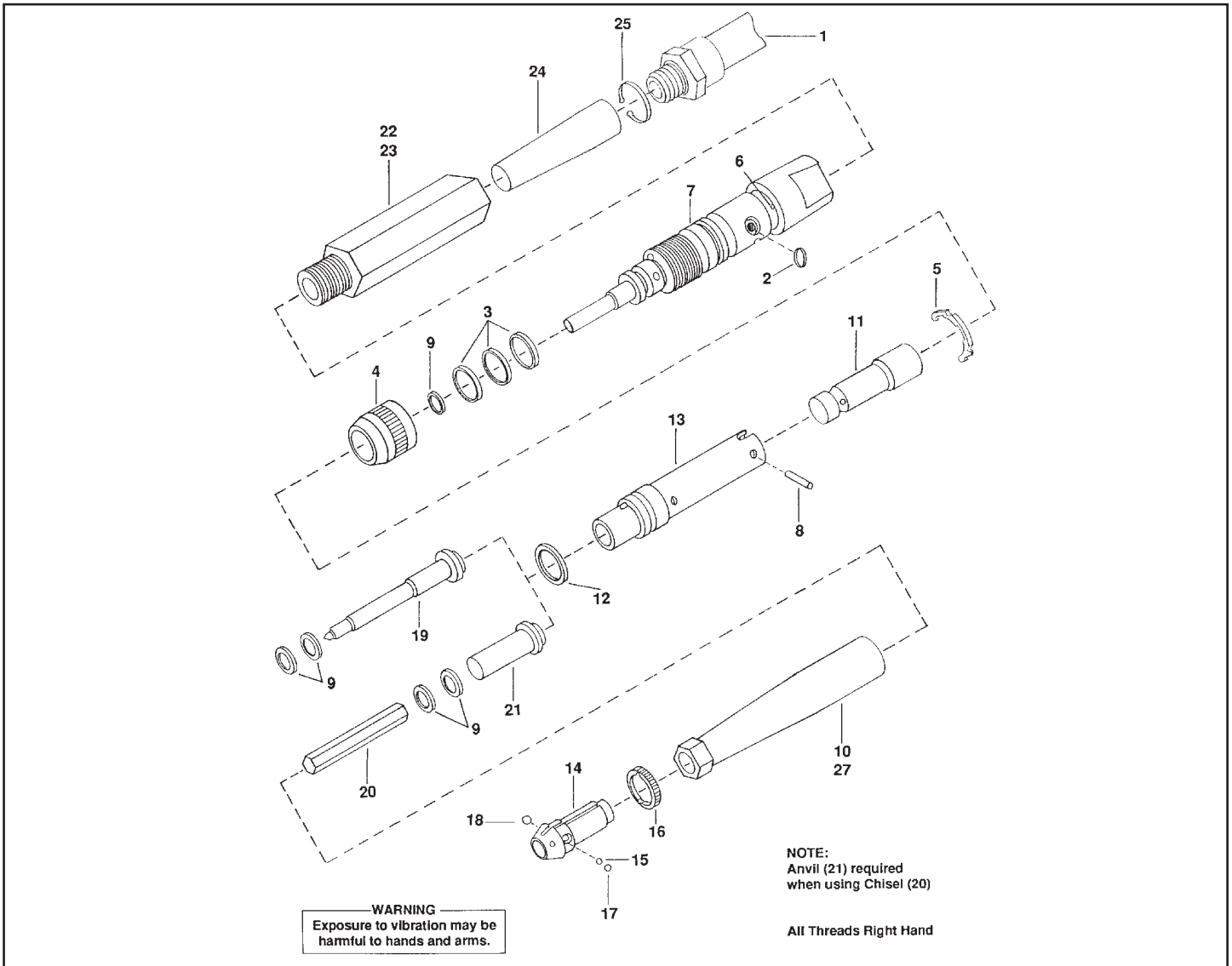




MICHIGAN PNEUMATIC TOOL, INC.

MP-9361 Air Marking Pen



Index	Part No.	Description	Qty.
1	7886	Air Line	1
2	7919	O-Ring	1
3	7777	O-Ring	3
4	7175	Valve Sleeve	1
5	7187	Retaining Ring	2 halves
6	7685	Roll Pin	1
7	7173	Inlet	1
8	7079	Roll Pin	1
9	7076	O-Ring	3
10	7180	Cylinder Sleeve	1
11	7208	Piston	1
12	7071	O-Ring	1
13	7174	Cylinder	1
14	7181	Bushing - Accessory	1
15	7009	O-Ring	1
16	7186	Ball Lock Ring	1

Index	Part No.	Description	Qty.
17	7821	Ball	1
18	7613	Ball	1
19	7177	Stylus	1
20A	7182	Round Nose Chisel	1
20B	7183	1/4" Flat Chisel	1
20C	7184	Blank Chisel	1
21	7207	Anvil	1
22	7381	Air Filter Assy. (inc: 23 - 25)	1
23	7379	Air Filter Body	1
24	7380	Filter Cartridge	1
25	7432	Retaining Ring	1
26	7539	Retaining Ring Pliers	1
27	7979	Ret. Assy. (inc:10, 14 - 18)	1
	7264	Rep. Kit (inc:2,3,8,9,12,15&24)	1
	7425	Chisel Assy. (inc: 19 - 21, 2 of #9 & 7293 container)	1

10072015Rev2HMB | NP