



# MICHIGAN PNEUMATIC TOOL

## 9500 Series Industrial Grinders



# 9500 SERIES GRINDER

Model Number Identification Chart

(MP-XX		XX	XXXXX	XX	X	—	XX	XXX)
Series	RPM	Extension	Description	Exhaust	Termination		Capacity	
95 9500 Series 0.95 HP Grinders	11	11,500	EXT 6"	DG Die Grinder	F Front	C4 1/4" Collet	1" Carbide Burr, 2" Wheel	
	13	13,500	EXT12 12"	WG Straight Wheel Grinder	R Rear	C6 3/16" Collet	3CW 2" Cone Wheel	
	16	16,500	EXT24 24"	HG Horizontal Grinder	S Side	C6M 6MM Collet	4T1 4" Type 1 Wheel	
	18	18,000	EXT36 36"	AG Angle Grinder		C3 3/8" Collet	4T7 4" Type 27 Wheel	
	20	20,000	EXT48 48"	RT Router		C5 5/16" Collet	412T7 4-1/2" Type 27 Wheel	
	24	24,000				C8 1/8" Collet	5T1 5" Type 1 Wheel	
	25	25,000				38 3/8"-24 External Thread	5T7 5" Type 27 Wheel	
						58 5/8"-11 External Thread	2 2" or 3" Disc	
						12 1/2"-13 External Thread		
						14F 1/4"-20 Internal Thread		
					14M 1/4"-20 External Thread			
					LP 1/4" ER 11 Collet			



<b>Routers Pg 3</b>
MP-9518RTF-C4
MP-9525RTF-C4
MP-9518RTF-C3
MP-9525RTF-C3

<b>Straight Grinders Pg 4-5</b>
MP-9518DGF-C4
MP-9518DGR-C4
MP-9518DGS-C4
MP-9520DGR-C4
MP-9524DGS-C4
MP-9525DGF-C4
MP-9525DGR-C4
MP-9518WGR-384T1

<b>Extended Straight Grinders Pg 14-17</b>
MP-9518EXTDGR-C4
MP-9520EXTDGR-C4
MP-9525EXTDGR-C4
MP-9518EXTDGS-C4
MP-9524EXTDGS-C4
MP-9518EXTHGR-384T1
MP-9520EXTHGR-384T1
MP-9525EXTHGR-384T1
MP-9518EXTHGS-384T1
MP-9524EXTHGS-384T1
MP-9518EXTHGR-383CW
MP-9518EXTHGR-123CW
MP-9520EXTHGR-383CW
MP-9520EXTHGR-123CW
MP-9525EXTHGR-383CW
MP-9525EXTHGR-123CW
MP-9518EXTHGS-383CW
MP-9518EXTHGS-123CW
MP-9524EXTHGS-383CW
MP-9524EXTHGS-123CW

<b>Angle Grinders Pg 6-9</b>
MP-9511AGF-C4
MP-9511AGS-C4
MP-9511AGR-C4
MP-9511AGF-384T1
MP-9511AGF-384T7
MP-9511AGF-385T1
MP-9511AGF-385T7
MP-9511AGF-584T1
MP-9511AGF-584T7
MP-9511AGF-585T1
MP-9511AGF-585T7
MP-9511AGS-384T1
MP-9511AGS-384T7
MP-9511AGS-385T1
MP-9511AGS-385T7
MP-9511AGS-584T1
MP-9511AGS-584T7
MP-9511AGS-585T1
MP-9511AGS-585T7
MP-9511AGR-384T1
MP-9511AGR-384T7
MP-9511AGR-385T1
MP-9511AGR-385T7
MP-9511AGR-584T1
MP-9511AGR-584T7
MP-9511AGR-58412T7
MP-9511AGR-585T1
MP-9511AGR-585T7

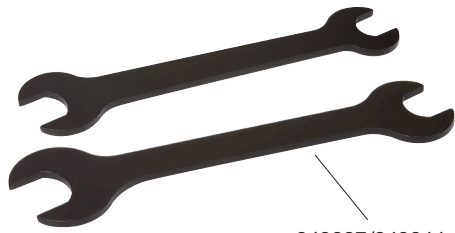
<b>Extended Angle Grinders Pg 10-13</b>
MP-9513EXTAGS-C4
MP-9513EXTAGF-C4
MP-9513EXTAGR-C4
MP-9516EXTAGR-C4
MP-9513EXTAGF-384T1
MP-9513EXTAGF-384T7
MP-9513EXTAGS-384T1
MP-9513EXTAGS-384T7
MP-9513EXTAGR-384T1
MP-9513EXTAGR-384T7
MP-9516EXTAGR-384T1
MP-9516EXTAGR-384T7
MP-9513EXTAGF-LPC4
MP-9513EXTAGR-LPC4
MP-9513EXTAGS-LPC4
MP-9516EXTAGR-LPC4
MP-9513EXTASF-14M2
MP-9513EXTASR-14M2
MP-9513EXTASS-14M2
MP-9516EXTASR-14M2
MP-9513EXTASF-14F2
MP-9513EXTASR-14F2
MP-9513EXTASS-14F2
MP-9516EXTASR-14F2

<b>Modular Extensions Pg 14-18</b>
MP-9518EXT12HGR-383CW
MP-9518EXT24HGR-383CW
MP-9518EXT36HGR-383CW
MP-9520EXT12HGR-383CW
MP-9520EXT24HGR-383CW
MP-9520EXT36HGR-383CW
MP-9520EXT48HGR-383CW
MP-9525EXT12HGR-383CW
MP-9525EXT24HGR-383CW
MP-9525EXT36HGR-383CW
MP-9525EXT48HGR-383CW
MP-9518EXT12HGS-383CW
MP-9518EXT18HGS-383CW
MP-9518EXT24HGS-383CW
MP-9518EXT36HGS-383CW
MP-9518EXT48HGS-383CW
MP-9524EXT12HGS-383CW
MP-9524EXT18HGS-383CW
MP-9524EXT24HGS-383CW
MP-9524EXT36HGS-383CW
MP-9524EXT48HGS-383CW
MP-9518EXT12DGR-C4
MP-9518EXT24DGR-C4
MP-9518EXT36DGR-C4
MP-9520EXT12DGR-C4
MP-9520EXT24DGR-C4
MP-9520EXT36DGR-C4
MP-9525EXT12DGR-C4
MP-9525EXT24DGR-C4
MP-9518EXT12DGS-C4
MP-9518EXT24DGS-C4
MP-9518EXT36DGS-C4
MP-9524EXT12DGS-C4
MP-9524EXT18DGS-C4
MP-9524EXT24DGS-C4
MP-9524EXT36DGS-C4
MP-9518EXT12HGR-384T1
MP-9518EXT24HGR-384T1
MP-9518EXT36HGR-384T1
MP-9518EXT48HGR-384T1
MP-9518EXT12HGS-384T1
MP-9518EXT24HGS-384T1
MP-9518EXT30HGS-384T1
MP-9518EXT36HGS-384T1
MP-9518EXT48HGS-384T1

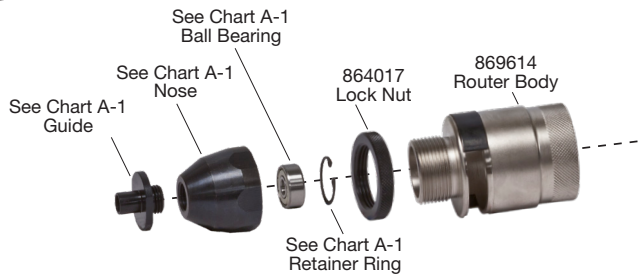
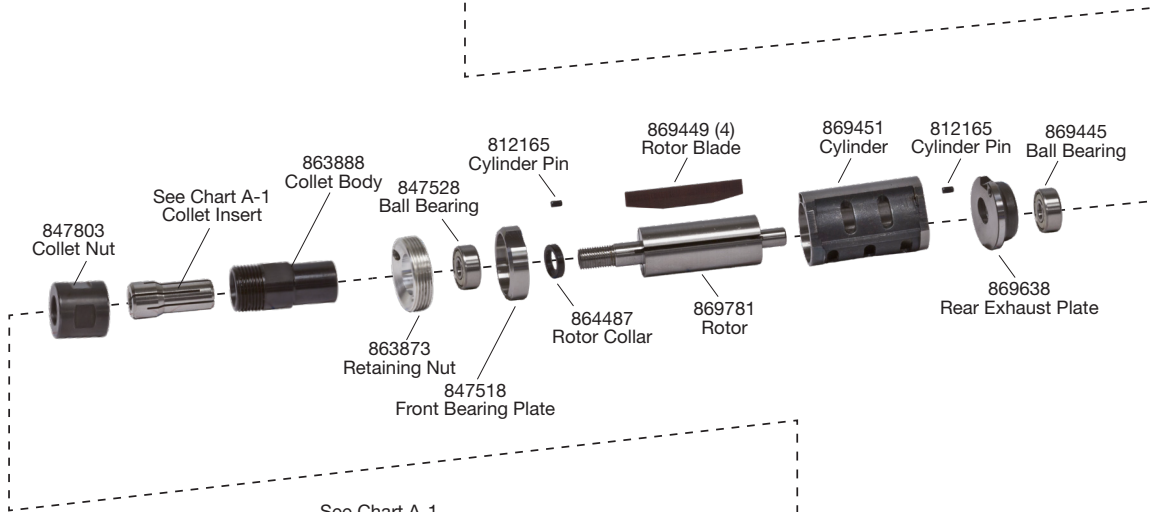
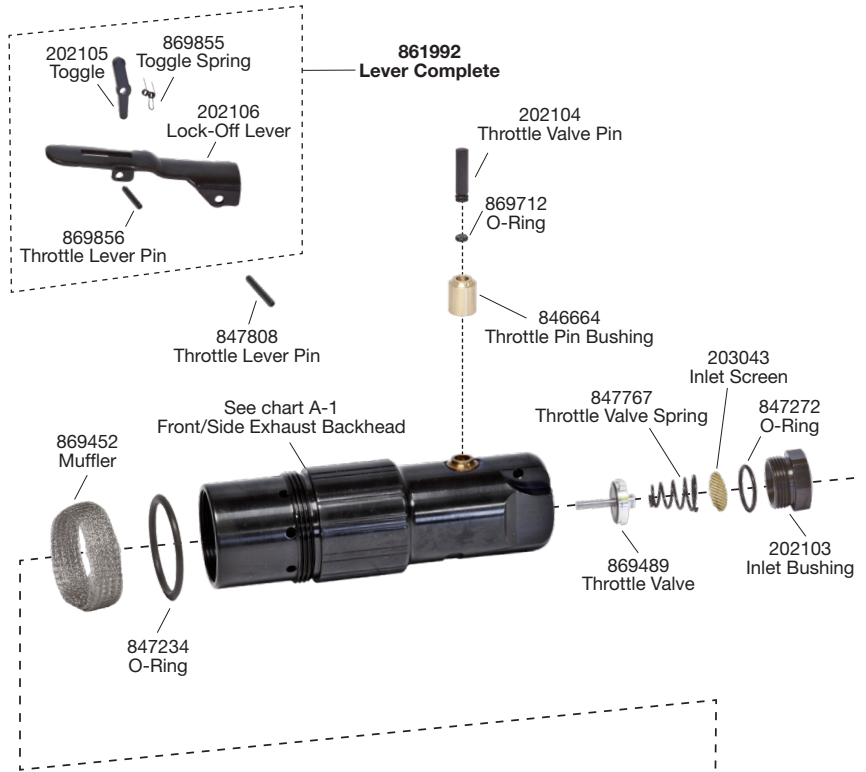


**MICHIGAN PNEUMATIC TOOL, INC.**

# 9500 SERIES Routers



849837/849844  
Wrench Set



**Chart A-1**

Model	Back Head	Guide	Nose	Bearing	Retainer Ring	Collet Insert
MP-9518RTF-C4	202109	GR-2402	14-2176	B-R4AZZ	GR-1098	847811
MP-9525RTF-C4	202110	GR-2402	14-2176	B-R4AZZ	GR-1098	847811
MP-9518RTF-C3	202109	GR-2531	GR-2173	B-R6ZZ	GR-1093	847805
MP-9525RTF-C3	202110	GR-2531	GR-2173	B-R6ZZ	GR-1093	847805

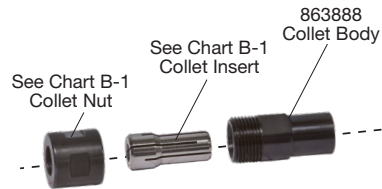


**MICHIGAN PNEUMATIC TOOL, INC.**

# 9500 SERIES Straight Grinders



See Chart B-1  
Wrench Set

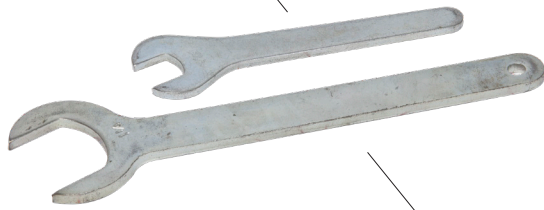


See Chart B-1  
Collet Nut

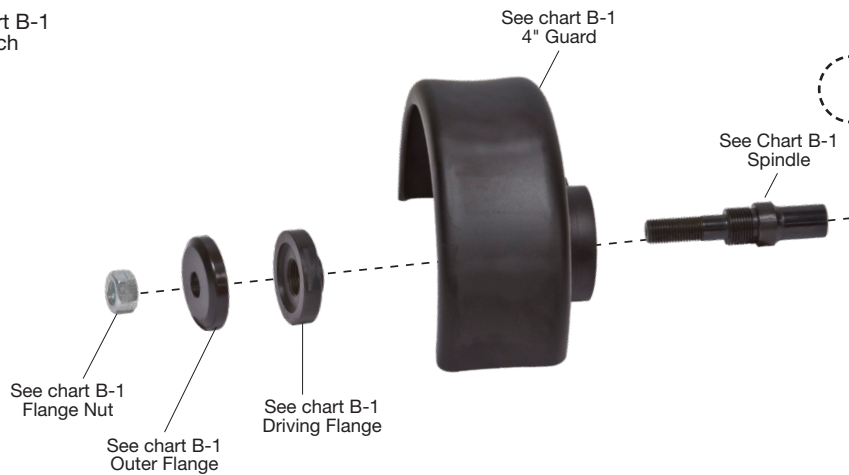
See Chart B-1  
Collet Insert

863888  
Collet Body

See Chart B-1  
Wrench



See Chart B-1  
Wrench



See chart B-1  
4" Guard

See Chart B-1  
Spindle

See chart B-1  
Flange Nut

See chart B-1  
Outer Flange

See chart B-1  
Driving Flange

**Chart B-1**

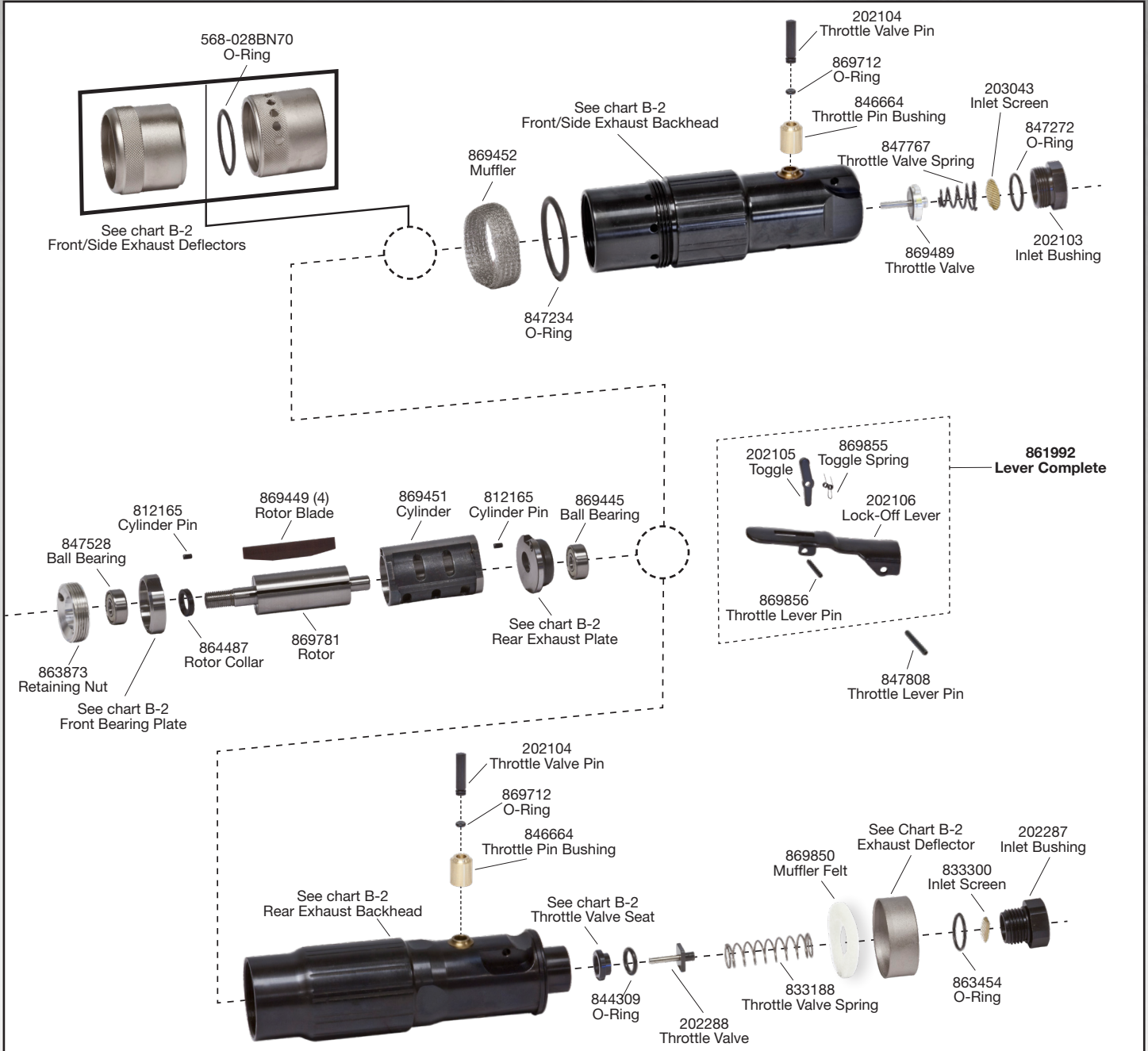
Model	Collet Body	1/4" Insert*	Collet Nut	Spindle	Guard	Drive Flange	Outer Flange	Flange Nut	Wrenches
MP-9518DGF-C4	863888	847811	847803						849837/849844
MP-9518DGR-C4	863888	847811	847803						849837/849844
MP-9518DGS-C4	863888	847811	847803						849837/849844
MP-9518WGR-384T1				202238-XS	202245	202256	865991	844280	G-3864/G-3858
MP-9520DGR-C4	863888	847811	847803						849837/849844
MP-9524DGS-C4	863888	847811	847803						849837/849844
MP-9525DGF-C4	863888	847811	847803						849837/849844
MP-9525DGR-C4	863888	847811	847803						849837/849844

\*3/16"=865423, 6MM=864158, 3/8"=847805, 5/16"=865501, 1/8"=847534



**MICHIGAN PNEUMATIC TOOL, INC.**

# 9500 SERIES Straight Grinders



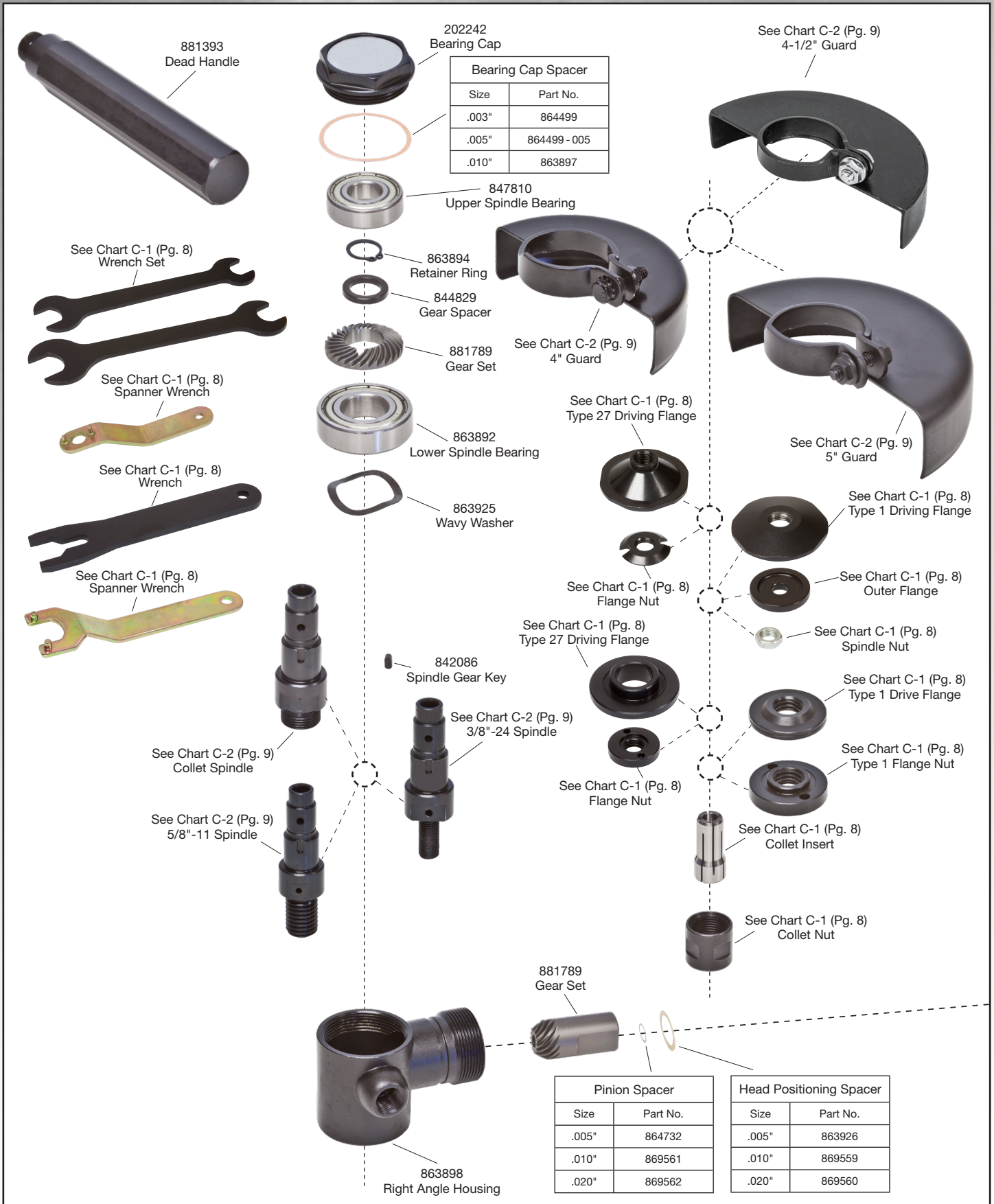
**Chart B-2**

Model	Back Head	Exhaust Deflector	Throttle Valve Seat	Front End Plate	Rear End Plate
MP-9518DGF-C4	202109	202207		847518	869638
MP-9518DGR-C4	202222	869844	202289	202286	202285
MP-9518DGS-C4	202109	202229		847518	869638
MP-9518WGR-384T1	202222	869844	202289	202286	202285
MP-9520DGR-C4	202222	869844	869845	202286	202285
MP-9524DGS-C4	202110	202229		847518	869638
MP-9525DGF-C4	202110	202207		874518	869638
MP-9525DGR-C4	202221	869844	869845	202286	202285



**MICHIGAN PNEUMATIC TOOL, INC.**

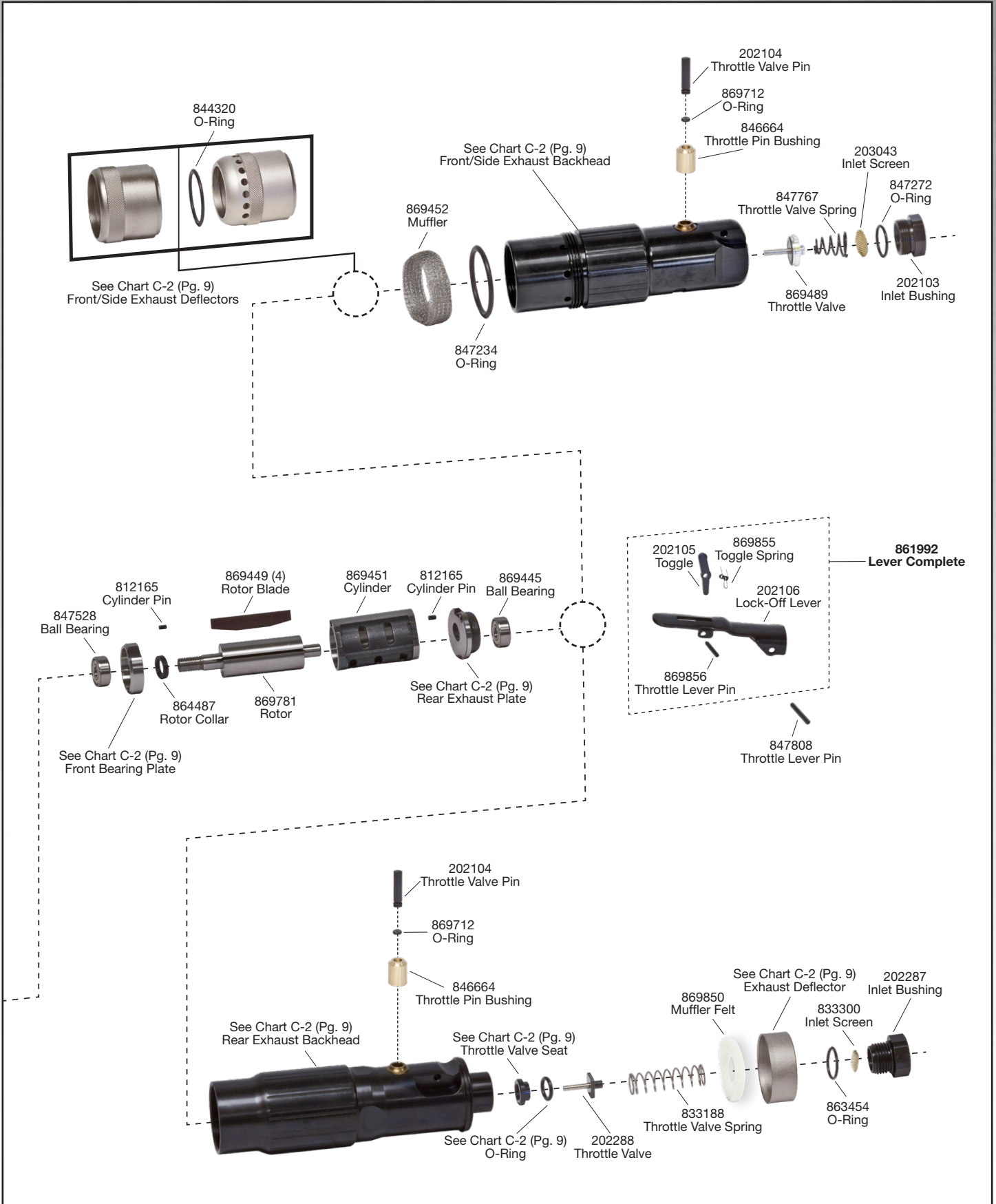
# 9500 SERIES Angle Grinders





MICHIGAN PNEUMATIC TOOL, INC.

# 9500 SERIES Angle Grinders





**MICHIGAN PNEUMATIC TOOL, INC.**

# 9500 SERIES Angle Grinders

**Chart C-1**

<i>Model</i>	<i>Type 27 Driving Flange</i>	<i>Flange Nut</i>	<i>Type 1 Driving Flange</i>	<i>Type 1 Outer Flange</i>	<i>1/4" Collet Insert*</i>	<i>Collet Nut</i>	<i>Wrenches</i>
MP-9511AGF-C4					847811	847803	849837/849844
MP-9511AGS-C4					847811	847803	849837/849844
MP-9511AGR-C4					847811	847803	849837/849844
MP-9511AGF-384T1		203409	202223	856991			849837/849844
MP-9511AGF-384T7	869496	843422					849837/849844 & AG-30058
MP-9511AGF-385T1		203409	202223	856991			849837/849844
MP-9511AGF-385T7	869496	843422					849837/849844 & AG-30058
MP-9511AGF-584T1		SM-619540B	SM-619538B-THREADED				SM-619553A-W & SM-619554
MP-9511AGF-584T7	SM-619538B-NON-THREADED	SM-619540B					SM-619553A-W & SM-619554
MP-9511AGF-585T1		SM-619540B	SM-619538B-THREADED				SM-619553A-W & SM-619554
MP-9511AGF-585T7	SM-619538B-NON-THREADED	SM-619540B					SM-619553A-W & SM-619554
MP-9511AGS-384T1		203409	202223	856991			849837/849844
MP-9511AGS-384T7	869496	843422					849837/849844 & AG-30058
MP-9511AGS-385T1		203409	202223	856991			849837/849844
MP-9511AGS-385T7	869496	843422					849837/849844 & AG-30058
MP-9511AGS-584T1		SM-619540B	SM-619538B-THREADED				SM-619553A-W & SM-619554
MP-9511AGS-584T7	SM-619538B-NON-THREADED	SM-619540B					SM-619553A-W & SM-619554
MP-9511AGS-585T1		SM-619540B	SM-619538B-THREADED				SM-619553A-W & SM-619554
MP-9511AGS-585T7	SM-619538B-NON-THREADED	SM-619540B					SM-619553A-W & SM-619554
MP-9511AGR-384T1		203409	202223	856991			849837/849844
MP-9511AGR-384T7	869496	843422					849837/849844 & AG-30058
MP-9511AGR-385T1		203409	202223	856991			849837/849844
MP-9511AGR-385T7	869496	843422					849837/849844 & AG-30058
MP-9511AGR-584T1		SM-619540B	SM-619538B-THREADED				SM-619553A-W & SM-619554
MP-9511AGR-584T7	SM-619538B-NON-THREADED	SM-619540B					SM-619553A-W & SM-619554
MP-9511AGR-585T1		SM-619540B	SM-619538B-THREADED				SM-619553A-W & SM-619554
MP-9511AGR-585T7	SM-619538B-NON-THREADED	SM-619540B					SM-619553A-W & SM-619554
MP-9511AGR-385T7	869496	843422					849837/849844 & AG-30058
MP-9511AGR-584T1		SM-619540B	SM-619538B-THREADED				SM-619553A-W & SM-619554
MP-9511AGR-584T7	SM-619538B-NON-THREADED	SM-619540B					SM-619553A-W & SM-619554
MP-9511AGR-585T1		SM-619540B	SM-619538B-THREADED				SM-619553A-W & SM-619554
MP-9511AGR-585T7	SM-619538B-NON-THREADED	SM-619540B					SM-619553A-W & SM-619554
MP-9511AGR-58412T7	SM-619538B-NON-THREADED	SM-619540B					SM-619553A-W & SM-619554

\*3/16"=865423, 6MM=864158, 3/8"=847805, 5/16"=865501, 1/8"=847534





**MICHIGAN PNEUMATIC TOOL, INC.**

# 9500 SERIES Angle Grinders

**Chart C-2**

<i>Model</i>	<i>Back Head</i>	<i>Exhaust Deflector</i>	<i>Throttle Valve Seat</i>	<i>Front End Plate</i>	<i>Rear End Plate</i>	<i>Spindle</i>	<i>Guard</i>
MP-9511AGF-C4	202109	202207		847518	869638	864120	
MP-9511AGS-C4	202109	202203		847518	869638	864120	
MP-9511AGR-C4	202221	869844	869845	202286	202285	864120	
MP-9511AGF-384T1	202109	202207		847518	869638	863895	889208
MP-9511AGF-384T7	202109	202207		847518	869638	863895	889208
MP-9511AGF-385T1	202109	202207		847518	869638	863895	GA-11208
MP-9511AGF-385T7	202109	202207		847518	869638	863895	GA-11208
MP-9511AGF-584T1	202109	202207		847518	869638	204370	889208
MP-9511AGF-584T7	202109	202207		847518	869638	204370	889208
MP-9511AGF-585T1	202109	202207		847518	869638	204370	GA-11208
MP-9511AGF-585T7	202109	202207		847518	869638	204370	GA-11208
MP-9511AGS-384T1	202109	202203		847518	869638	863895	889208
MP-9511AGS-384T7	202109	202203		847518	869638	863895	889208
MP-9511AGS-385T1	202109	202203		847518	869638	863895	GA-11208
MP-9511AGS-385T7	202109	202203		847518	869638	863895	GA-11208
MP-9511AGS-584T1	202109	202203		847518	869638	204370	889208
MP-9511AGS-584T7	202109	202203		847518	869638	204370	889208
MP-9511AGS-585T1	202109	202203		847518	869638	204370	GA-11208
MP-9511AGS-585T7	202109	202203		847518	869638	204370	GA-11208
MP-9511AGR-384T1	202221	869844	869845	202286	202285	863895	889208
MP-9511AGR-384T7	202221	869844	869845	202286	202285	863895	889208
MP-9511AGR-385T1	202221	869844	869845	202286	202285	863895	GA-11208
MP-9511AGR-385T7	202221	869844	869845	202286	202285	863895	GA-11208
MP-9511AGR-584T1	202221	869844	869845	202286	202285	204370	889208
MP-9511AGR-584T7	202221	869844	869845	202286	202285	204370	889208
MP-9511AGR-585T1	202221	869844	869845	202286	202285	204370	GA-11208
MP-9511AGR-585T7	202221	869844	869845	202286	202285	204370	GA-11208
MP-9511AGR-58412T7	202221	869844	869845	202286	202285	204370	202063-4



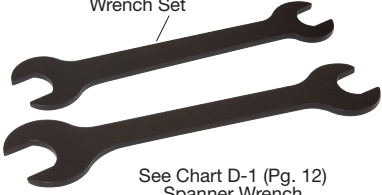
**MICHIGAN PNEUMATIC TOOL, INC.**

# 9500 SERIES *Extended Angle*

See Chart D-1 (Pg. 12)  
Spindle Hex  
Wrench



See Chart D-1 (Pg. 12)  
Wrench Set



See Chart D-1 (Pg. 12)  
Spanner Wrench



GA-3661  
Grease Fitting

202198  
Spindle Needle Bearing

202193  
Angle Head Housing

Head Positioning Spacer

Size	Part No.
.005"	863926
.010"	869559
.020"	869560



See Chart D-2 (Pg. 13)  
4" Guard

202333  
Ball Bearing

863564  
Bearing Retainer

869864  
Needle Bearing

842366  
Plug



202199  
Spindle Lock Nut

See Chart D-2 (Pg. 13)  
Type 27 3/8-24 Spindle

202624-202201  
Gear Set

See Chart D-2 (Pg. 13)  
Bearing Cap

202197  
Ball Bearing

See Chart D-1 (Pg. 12)  
Type 27 Driving Flange

202625  
Spine Adaptor

202235  
Spine Coupling

202236  
Splined Nut

See Chart D-1 (Pg. 12)  
Nut

See Chart D-2 (Pg. 13)  
Type 1 3/8-24 Spindle

See Chart D-2 (Pg. 13)  
Bearing Cap

See Chart D-1 (Pg. 12)  
Type 1 Driving Flange

See Chart D-1 (Pg. 12)  
Outer Flange

See Chart D-1 (Pg. 12)  
Nut

See Chart D-2 (Pg. 13)  
Collet Spindle

See Chart D-2 (Pg. 13)  
Bearing Cap

See Chart D-1 (Pg. 12)  
Collet Insert

See Chart D-1 (Pg. 12)  
Collet Nut

202194-1420  
(-14M2/14F2)  
Spindle

202194-1420  
(-14M2/14F2)  
Spindle

SS-UNC2025NLBO  
(-14M2)  
1/4"-20 External  
Thread Screw

202859LP  
(-LPC4)  
Spindle

202860  
(-LPC4)  
Bearing Cap

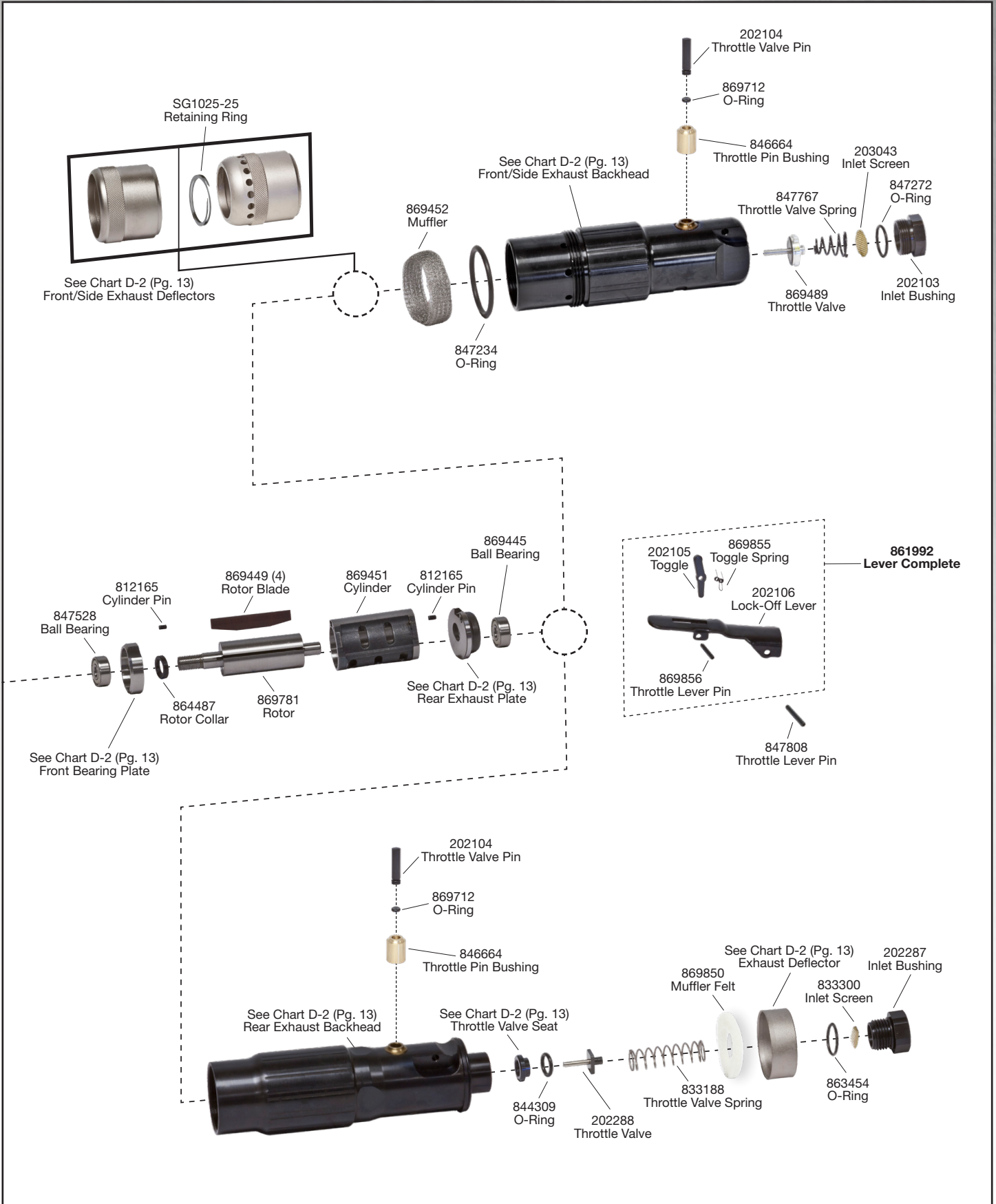
7808  
(-LPC4)  
Collet

1011116  
(-LPC4)  
Collet Nut



MICHIGAN PNEUMATIC TOOL, INC.

# 9500 SERIES *Extended Angle*





**Chart D-1**

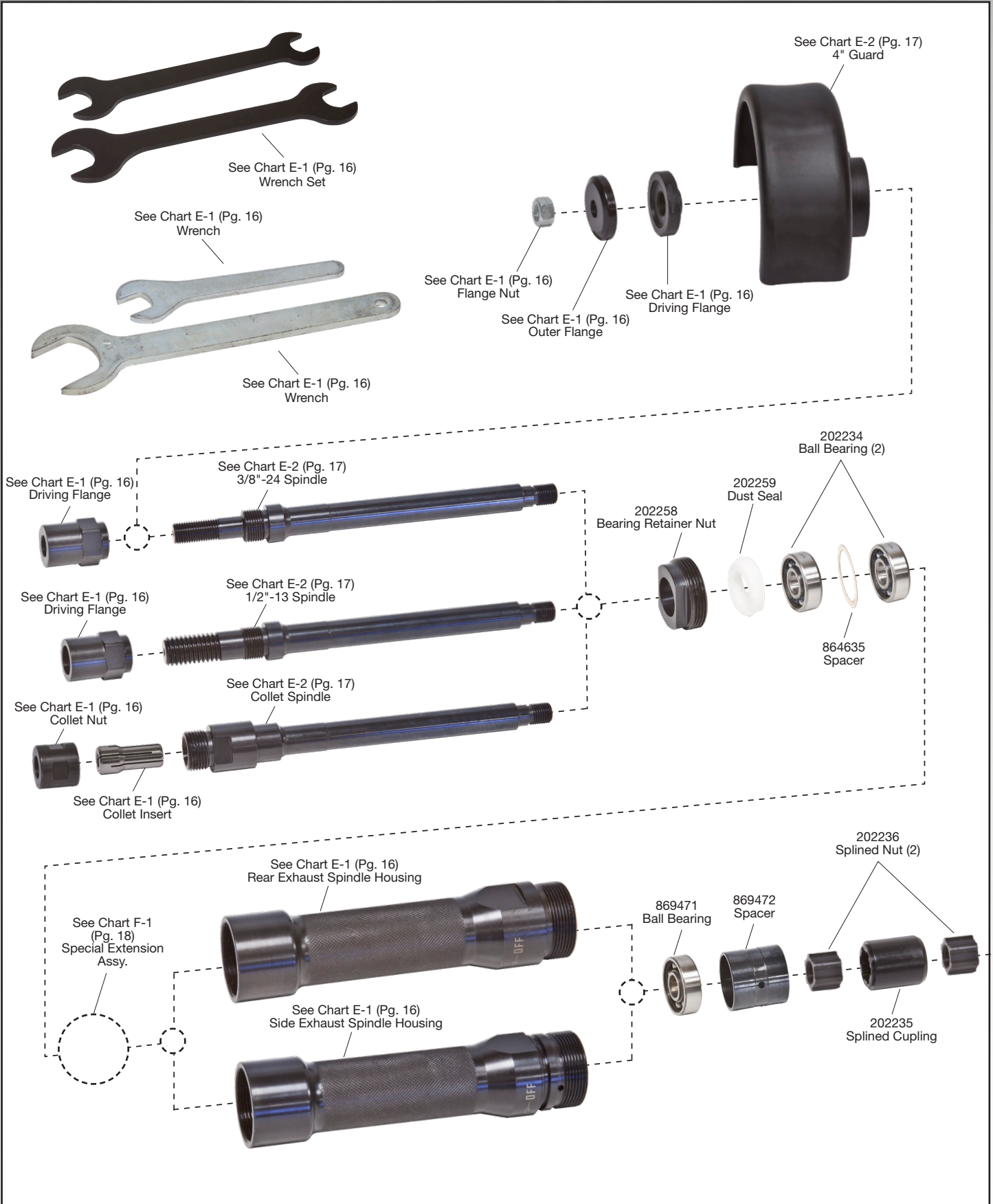
<i>Model</i>	<i>Type 27 Driving Flange</i>	<i>Flange Nut</i>	<i>Type 1 Driving Flange</i>	<i>Type 1 Outer Flange</i>	<i>1/4" Collet Insert*</i>	<i>Collet Nut</i>	<i>Wrenches</i>
MP-9513EXTAGS-C4					847811	847803	849837/849844
MP-9513EXTAGF-C4					847811	847803	849837/849844
MP-9513EXTAGR-C4					847811	847803	849837/849844
MP-9513EXTAGF-384T1		203409	202223	865991			269-G25A & G-3858
MP-9513EXTAGF-384T7	869496	843422					849022 & AG-30058
MP-9513EXTAGS-384T1		203409	202223	865991			269-G25A & G-3858
MP-9513EXTAGS-384T7	869496	843422					849022 & AG-30058
MP-9513EXTAGR-384T1		203409	202223	865991			269-G25A & G-3858
MP-9513EXTAGR-384T7	869496	843422					849022 & AG-30058
MP-9516EXTAGR-384T1		203409	202223	865991			269-G25A & G-3858
MP-9516EXTAGR-384T7	869496	843422					849022 & AG-30058
MP-9516EXTAGR-C4					847811	847803	849837/849844
MP-9513EXTAGF-LPC4					7808	1011116	SCW-12/SCW-1116
MP-9513EXTAGR-LPC4					7808	1011116	SCW-12/SCW-1116
MP-9513EXTAGS-LPC4					7808	1011116	SCW-12/SCW-1116
MP-9516EXTAGR-LPC4					7808	1011116	SCW-12/SCW-1116
MP-9513EXTASF-14M2							G-3858
MP-9513EXTASR-14M2							G-3858
MP-9513EXTASS-14M2							G-3858
MP-9516EXTASR-14M2							G-3858
MP-9513EXTASF-14F2							G-3858
MP-9513EXTASR-14F2							G-3858
MP-9513EXTASS-14F2							G-3858
MP-9516EXTASR-14F2							G-3858

\*3/16"=865423, 6MM=864158, 3/8"=847805, 5/16"=865501, 1/8"=847534



**Chart D-2**

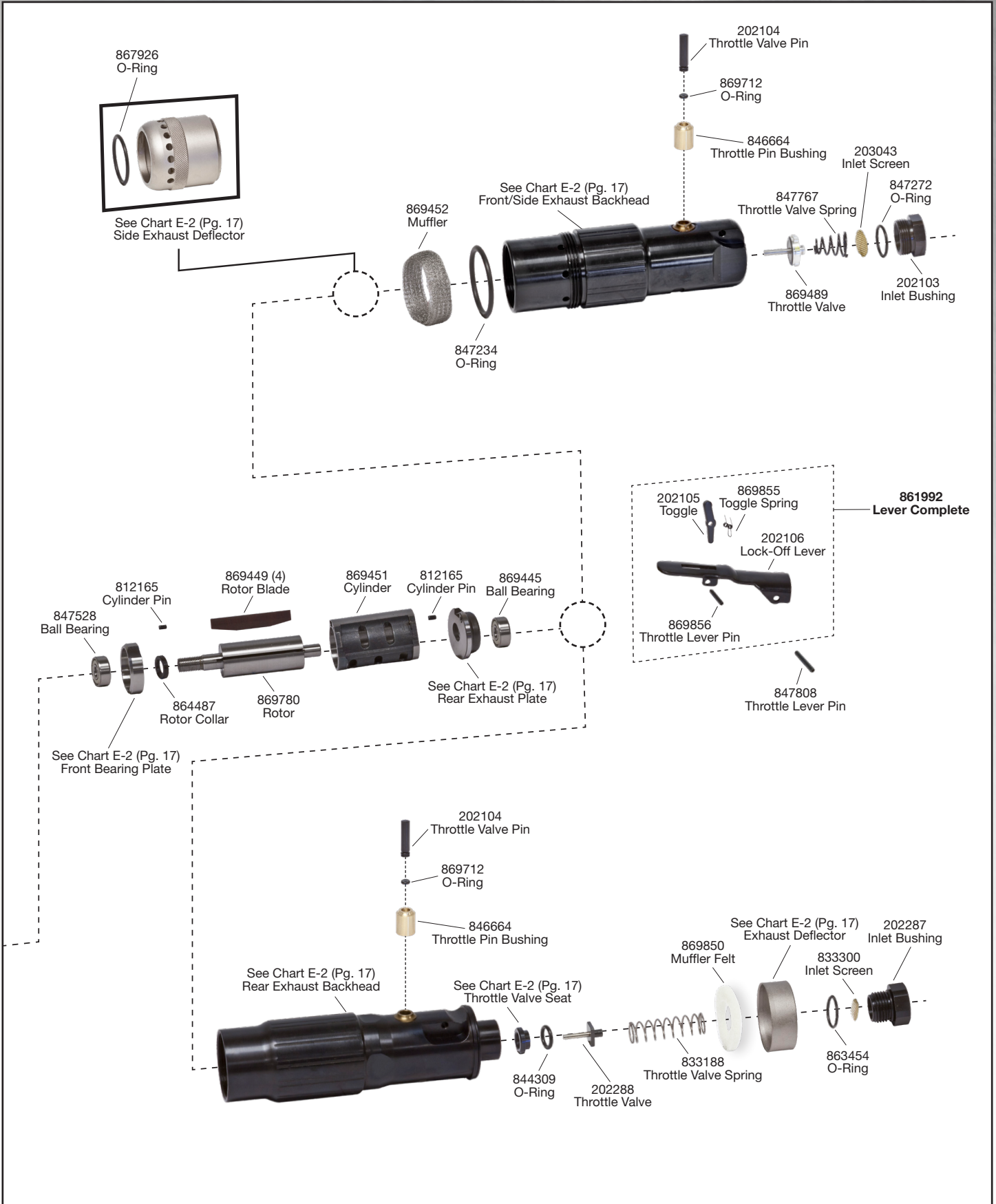
<i>Model</i>	<i>Back Head</i>	<i>Exhaust Deflector</i>	<i>Throttle Valve Seat</i>	<i>Front End Plate</i>	<i>Rear End Plate</i>	<i>Spindle</i>	<i>Spindle Bearing Cap</i>	<i>Guard</i>
MP-9513EXTAGS-C4	202109	202203		847518	869638	202859	202860	
MP-9513EXTAGF-C4	202109	202207		847518	869638	202859	202860	
MP-9513EXTAGR-C4	202222	869844	202289	202286	202285	202859	202860	
MP-9513EXTAGF-384T1	202109	202207		847518	869638	202194EX	202196EX	202227LP
MP-9513EXTAGF-384T7	202109	202207		847518	869638	202194	202196	202227LP
MP-9513EXTAGS-384T1	202109	202203		847518	869638	202194EX	202196EX	202227LP
MP-9513EXTAGS-384T7	202109	202203		847518	869638	202194	202196	202227LP
MP-9513EXTAGR-384T1	202222	869844	202289	202286	202285	202194EX	202196EX	202227LP
MP-9513EXTAGR-384T7	202222	869844	202289	202286	202285	202194	202196	202227LP
MP-9516EXTAGR-384T1	202221	869844	869845	202286	202285	202194EX	202196EX	202227LP
MP-9516EXTAGR-384T7	202221	869844	869845	202286	202285	202194	202196	202227LP
MP-9516EXTAGR-C4	202221	869844	869845	202286	202285	202859	202860	
MP-9513EXTAGF-LPC4	202109	202207		847518	869638	202859LP	202860	
MP-9513EXTAGR-LPC4	202222	869844	202289	202286	202285	202859LP	202860	
MP-9513EXTAGS-LPC4	202109	202203		847518	869638	202859LP	202860	
MP-9516EXTAGR-LPC4	202222	869844	869845	202286	202285	202859LP	202860	
MP-9513EXTASF-14M2	202109	202207		847518	869638	202194-1420 & SS-UNC2025NLBO	202860	
MP-9513EXTASR-14M2	202222	869844	202289	202286	202285	202194-1420 & SS-UNC2025NLBO	202860	
MP-9513EXTASS-14M2	202109	202203		847518	869638	202194-1420 & SS-UNC2025NLBO	202860	
MP-9516EXTASR-14M2	202222	869844	869845	202286	202285	202194-1420 & SS-UNC2025NLBO	202860	
MP-9513EXTASF-14F2	202109	202207		847518	869638	202194-1420	202860	
MP-9513EXTASR-14F2	202222	869844	202289	202286	202285	202194-1420	202860	
MP-9513EXTASS-14F2	202109	202203		847518	869638	202194-1420	202860	
MP-9516EXTASR-14F2	202222	869844	869845	202286	202285	202194-1420	202860	





MICHIGAN PNEUMATIC TOOL, INC.

# 9500 SERIES *Extended Straight*





**MICHIGAN PNEUMATIC TOOL, INC.**

**9500 SERIES** *Extended Straight*

**Chart E-1**

<i>Model</i>	<i>Spindle Housing</i>	<i>Driving Flange</i>	<i>Outer Flange</i>	<i>Flange Nut</i>	<i>Collet Nut</i>	<i>1/4" Collet Insert*</i>	<i>Wrenches</i>
MP-9518EXTDGR-C4	202231				847803	847811	849837/849844
MP-9518EXTHGR-383CW	202231	202241					G-3327
MP-9518EXTHGR-123CW	202231	202257					G-3327
MP-9518EXTHGR-384T1	202231	202256	865991	844280			G-3864 & G-3858
MP-9520EXTDGR-C4	202231				847803	847811	849837/849844
MP-9520EXTHGR-383CW	202231	202241					G-3327
MP-9520EXTHGR-123CW	202231	202257					G-3327
MP-9520EXTHGR-384T1	202231	202256	865991	844280			G-3864 & G-3858
MP-9525EXTDGR-C4	202231				847803	847811	849837/849844
MP-9525EXTHGR-383CW	202231	202241					G-3327
MP-9525EXTHGR-123CW	202231	202257					G-3327
MP-9525EXTHGR-384T1	202231	202256	865991	844280			G-3864 & G-3858
MP-9518EXTDGS-C4	202232				847803	847811	849837/849844
MP-9518EXTHGS-383CW	202232	202241					G-3327
MP-9518EXTHGS-123CW	202232	202257					G-3327
MP-9518EXTHGS-384T1	202232	202256	865991	844280			G-3864 & G-3858
MP-9524EXTDGS-C4	202232				847803	847811	849837/849844
MP-9524EXTHGS-383CW	202232	202241					G-3327
MP-9524EXTHGS-123CW	202232	202257					G-3327
MP-9524EXTHGS-384T1	202232	202256	865991	844280			G-3864 & G-3858

\*3/16"=865423, 6MM=864158, 3/8"=847805, 5/16"=865501, 1/8"=847534





**MICHIGAN PNEUMATIC TOOL, INC.**

# 9500 SERIES *Extended Straight*

**Chart E-2**

<i>Model</i>	<i>Back Head</i>	<i>Exhaust Deflector</i>	<i>Throttle Valve Seat</i>	<i>Front End Plate</i>	<i>Rear End Plate</i>	<i>Spindle</i>	<i>Guard</i>
MP-9518EXTDGR-C4	202222	869844	202289	202286	202285	202233	
MP-9518EXTHGR-383CW	202222	869844	202289	202286	202285	202238	
MP-9518EXTHGR-123CW	202222	869844	202289	202286	202285	202255	
MP-9518EXTHGR-384T1	202222	869844	202289	202286	202285	202238	202245
MP-9520EXTDGR-C4	202222	869844	869845	202286	202285	202233	
MP-9520EXTHGR-383CW	202222	869844	869845	202286	202285	202238	
MP-9520EXTHGR-123CW	202222	869844	869845	202286	202285	202255	
MP-9520EXTHGR-384T1	202222	869844	869845	202286	202285	202238	202245
MP-9525EXTDGR-C4	202221	869844	869845	202286	202285	202233	
MP-9525EXTHGR-383CW	202221	869844	869845	202286	202285	202238	
MP-9525EXTHGR-123CW	202221	869844	869845	202286	202285	202255	
MP-9525EXTHGR-384T1	202221	869844	869845	202286	202285	202238	202245
MP-9518EXTDGS-C4	202109	202203		847518	869638	202233	
MP-9518EXTHGS-383CW	202109	202203		847518	869638	202238	
MP-9518EXTHGS-123CW	202109	202203		847518	869638	202255	
MP-9518EXTHGS-384T1	202109	202203		847518	869638	202238	202245
MP-9524EXTDGS-C4	202110	202203		847518	869638	202233	
MP-9524EXTHGS-383CW	202110	202203		847518	869638	202238	
MP-9524EXTHGS-123CW	202110	202203		847518	869638	202255	
MP-9524EXTHGS-384T1	202110	202203		847518	869638	202238	202245



**MICHIGAN PNEUMATIC TOOL, INC.**

# 9500 SERIES Extensions

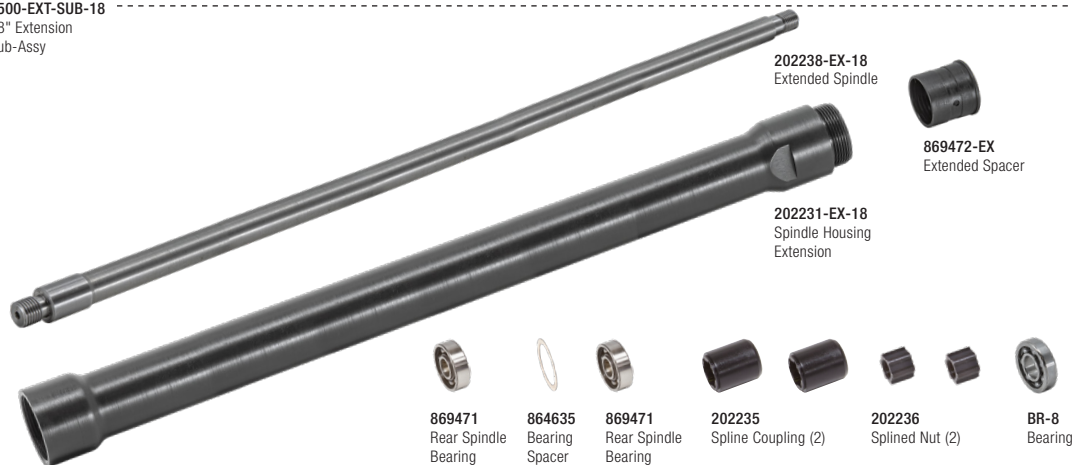
**9500-EXT-SUB**  
6" Extension  
Sub-Assy



**9500-EXT-SUB-12**  
12" Extension  
Sub-Assy



**9500-EXT-SUB-18**  
18" Extension  
Sub-Assy



**Chart F-1**

Extension		Extension Assy's
EXT	6"	*See Chart E-1 & E-2 for Spindle Housing and Spindle
EXT12	12"	9500-EXT-SUB (1)
EXT24	24"	9500-EXT-SUB (1) 9500-EXT-SUB-12 (1)
EXT36	36"	9500-EXT-SUB (1) 9500-EXT-SUB-12 (2)
EXT48	48"	9500-EXT-SUB (1) 9500-EXT-SUB-18 (2)



**MICHIGAN PNEUMATIC TOOL, INC.**

# 9500 SERIES Accessories

**MP-9500-OHK**  
Over Hose Kit

(Fits any MP-9500 Series rear exhaust)



**869204**  
Overhose Adapter



**202343**  
Hose Clamp



**RP063604**  
3/8" Inner Hose

**869580**  
Exhaust Overhose

**MP-9500-04SK**  
4" Sander Kit



**829047**  
Spanner Wrench



**829040**  
Disk Nut



**RHS400-R**  
4" Rubber Pad

**MP-9500-05SK**  
5" Sander Kit



**829047**  
Spanner Wrench



**829040**  
Disk Nut



**RHS500-R**  
5" Rubber Pad



**R202-14-20FEM**  
1/4"-20 Female  
2" Sanding Pad



**R303-14-20FEM**  
1/4"-20 Female  
3" Sanding Pad



**R202-38-24FEM**  
3/8"-24 Female  
2" Sanding Pad



**R303-38-24FEM**  
3/8"-24 Female  
3" Sanding Pad



**OIL-085**  
32oz Oil



**OIL-080**  
4oz Oil



**C098689**  
Grease Gun

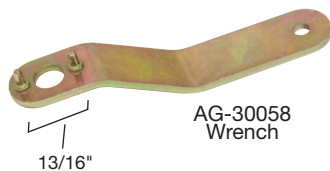


**869495**  
3/8"-24 to 5/8"-11  
Adapter



**MICHIGAN PNEUMATIC TOOL, INC.**

# 9500 SERIES Accessories



MP-9500-EAK  
Bearing Cap Installation/Removal Kit

