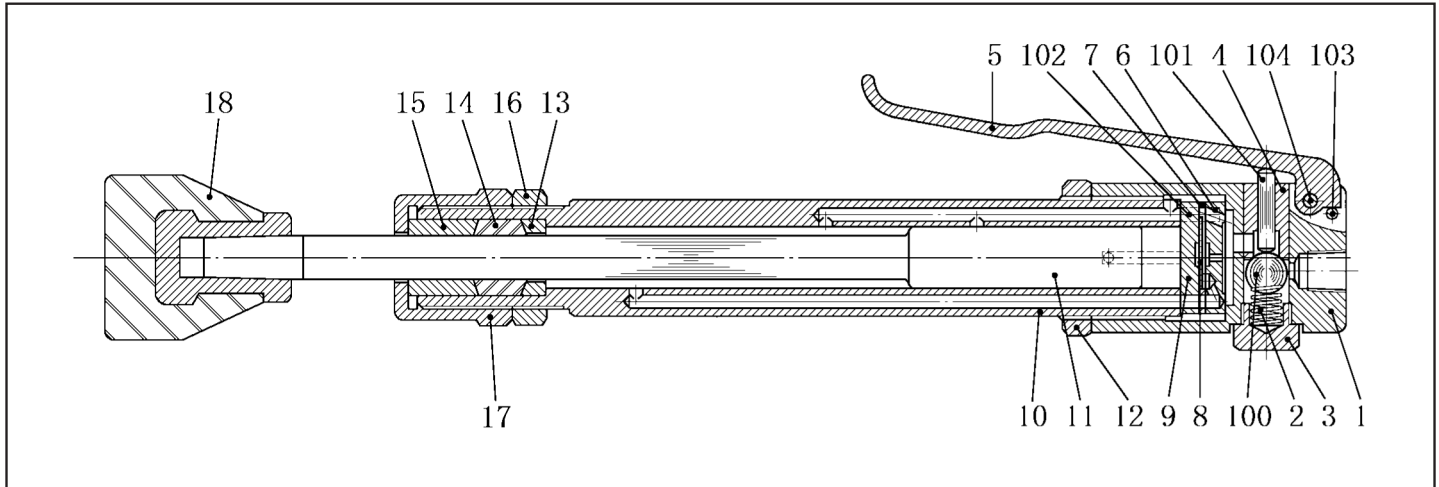




**MICHIGAN PNEUMATIC TOOL, INC.**  
**MP-B-00A Sand Rammer**



Index	Part No.	Description	Qty.
1	F40010H550	Handle	1
2	F41010B210	Throttle Spring	1
3	F41010H360	Throttle Plug	1
4	F40010H270	Throttle Bush	1
5	F42010H880	Lever	1
6	F40010V230	Valve Seat	1
7	F40010V430	Valve Washer	1
8	F40010V400	Valve	1
9	F40010V440	Valve Seat	1
10	F40010C250	Cylinder	1
11	F40010C550	Piston	1
12	F40010H580	Lock Nut	1

Index	Part No.	Description	Qty.
13	F40010C080	Gland Washer	1
14	F40010P140	Gland Packing	5
15	F40010C070	Gland Bush	1
16	F40010C090	Grand Nut	1
17	F40010C060	Gland Cap	1
18	F40010D700	Rubber Butt	1
100	2800210400	Rubber Ball	1
101	3990106008	Pin	1
102	3010040230	Pin	2
103	3010050290	Pin	1
104	3030060280	Spring Pin	1