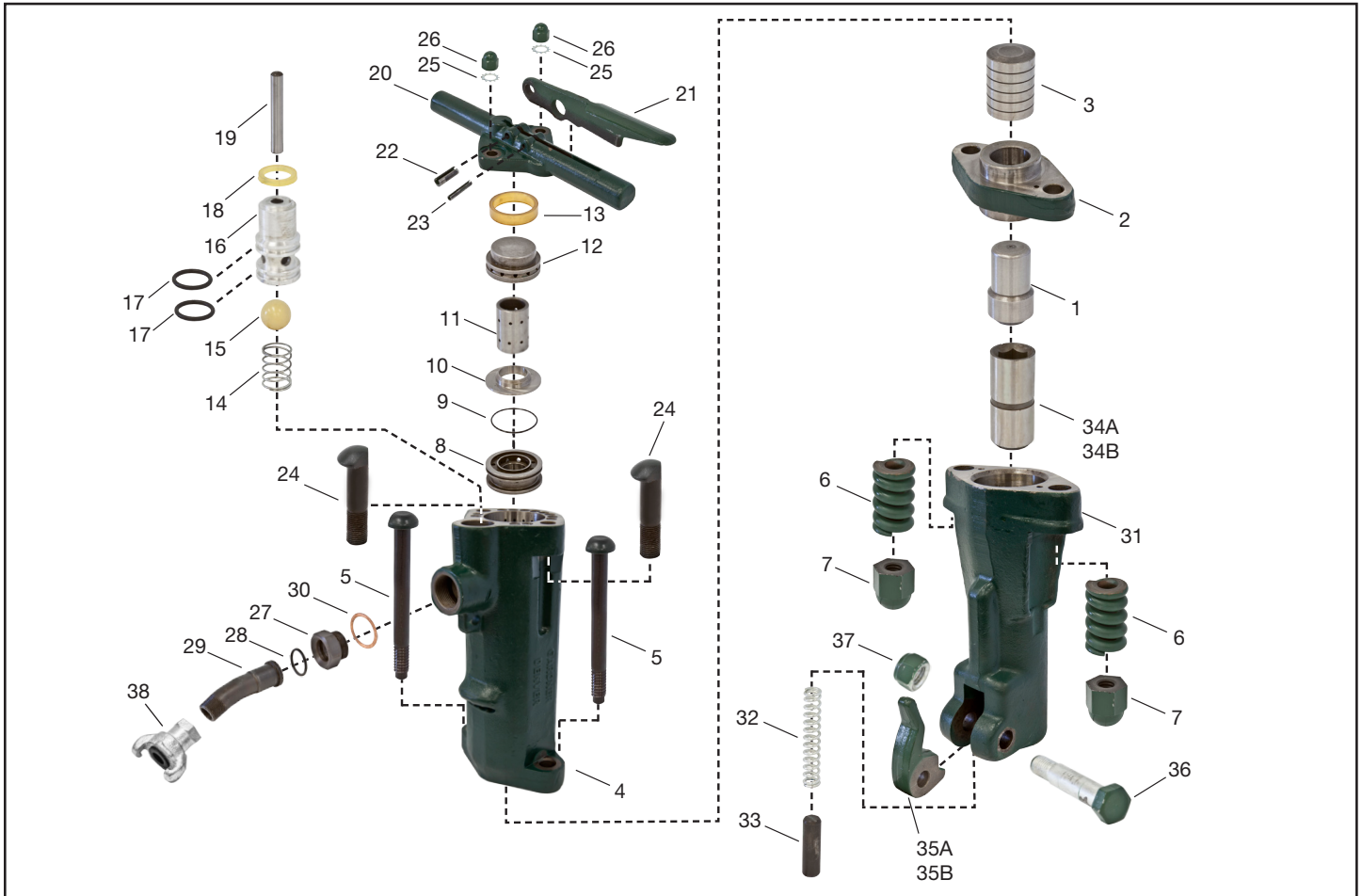




MICHIGAN PNEUMATIC TOOL, INC.

MP-B87C-114 Pavement Breaker
MP-B87C-118 Pavement Breaker



Index	Part No.	Description	Qty.
1	B87B8	Tappet	1
2	B87B8L	Tappet Bushing	1
3	B879	Hammer	1
4	1055590	Cylinder	1
5	B87B3A	Side Rod	2
6	B87B3TA	Spring	2
7	B87B3N	Nut	2
8	1B87C15	Lower Valve Chest	1
9	1050347	O-Ring	1
10	B8716M	Automatic Valve	1
11	B67-15EA	Valve Guide	1
12	1B87C15A	Upper Valve Chest	1
13	1B87C715	Seal	1
14	1512GB	Spring	1
15	1B87C920	Valve Ball	1
16	1B87C933	Valve Seat	1
17	OR21	O-Ring	2
18	1B87C763	Spacer	1
19	1B87C630	Plunger	1
20	B872D	Backhead	1

Index	Part No.	Description	Qty.
21	B3712A	Throttle Handle	1
22	1050341	Spiral Roll Pin	1
23	ERP9	Roll Pin	1
24	B874	Side Rod	2
25	WS36	Lockwasher	2
26	S483N	Nut	2
27	S48146G	Swivel Nut (Includes #28)	1
28	OR21	O-Ring	1
29	1055508	Aircon Tube	1
30	S48146W	Washer	1
31	1B87C17	Chuck End	1
32	B87B36B	Spring	1
33	B87B36E	Detent	1
34A	B72-7T	1/8" Chuck Liner	1
34B	B72-7U-6M	1-1/4" Chuck Liner	1
35A	B87B36D	1-1/8" Steel Retainer	1
35B	B87B36UD	1-1/4" Steel Retainer	1
36	1050357	Cap Screw	1
37	ESF16	Lock Nut	1
38	UF-75-M	CP Fitting	1

11192018Rev6CEH | RSS