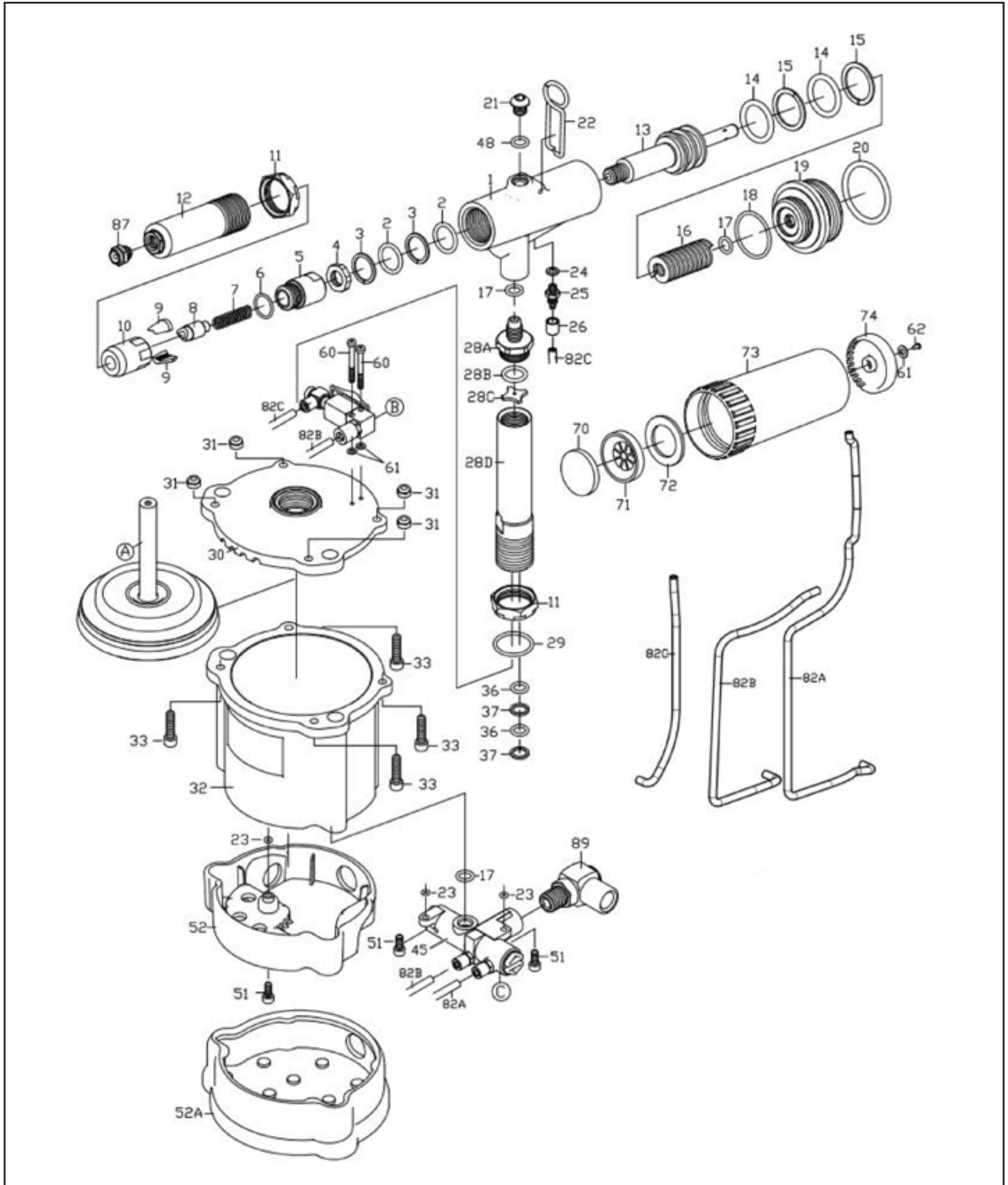




**MICHIGAN PNEUMATIC TOOL, INC.**

# **MP-MCS20187** 3/16" Capacity Air/Hydraulic Riveter

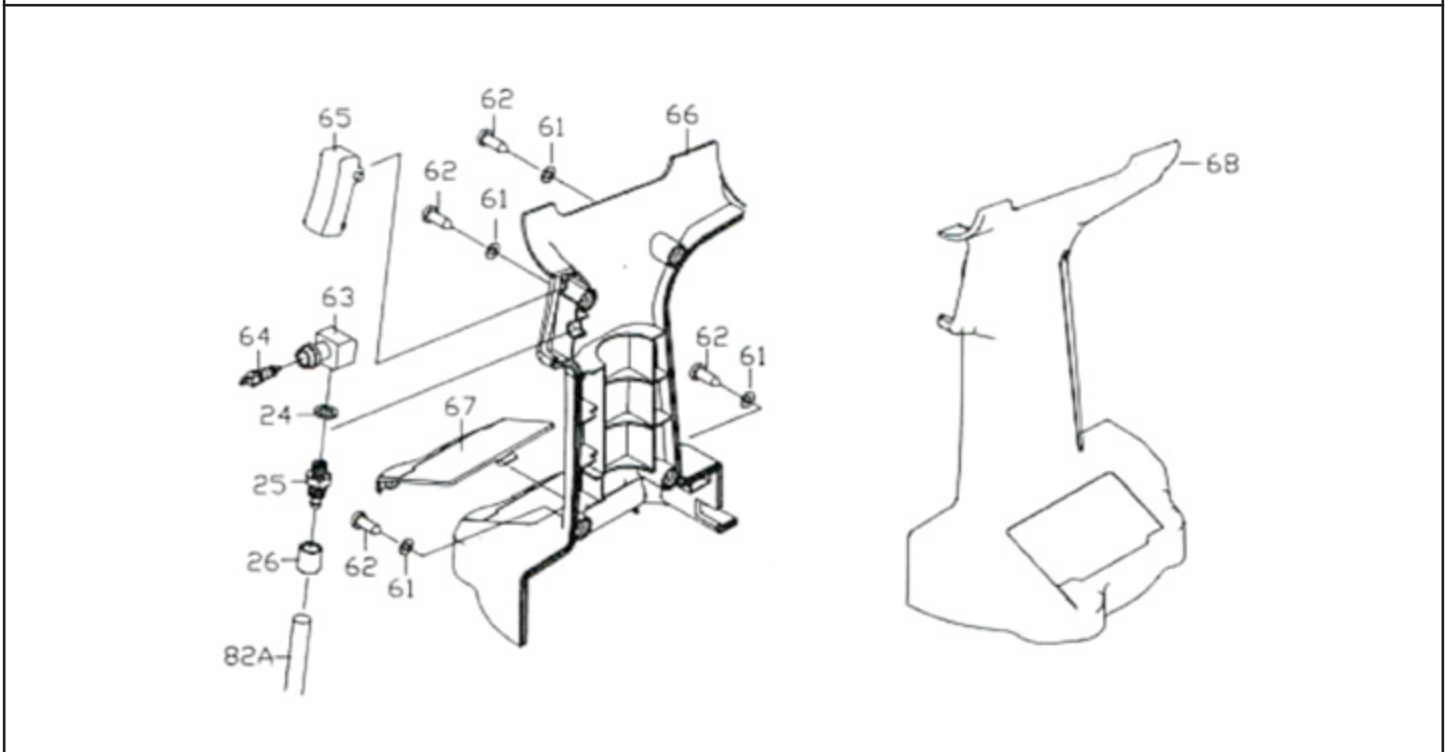
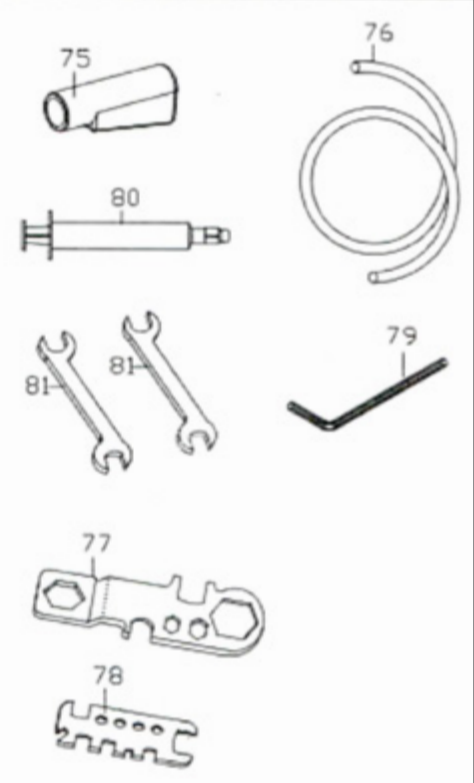
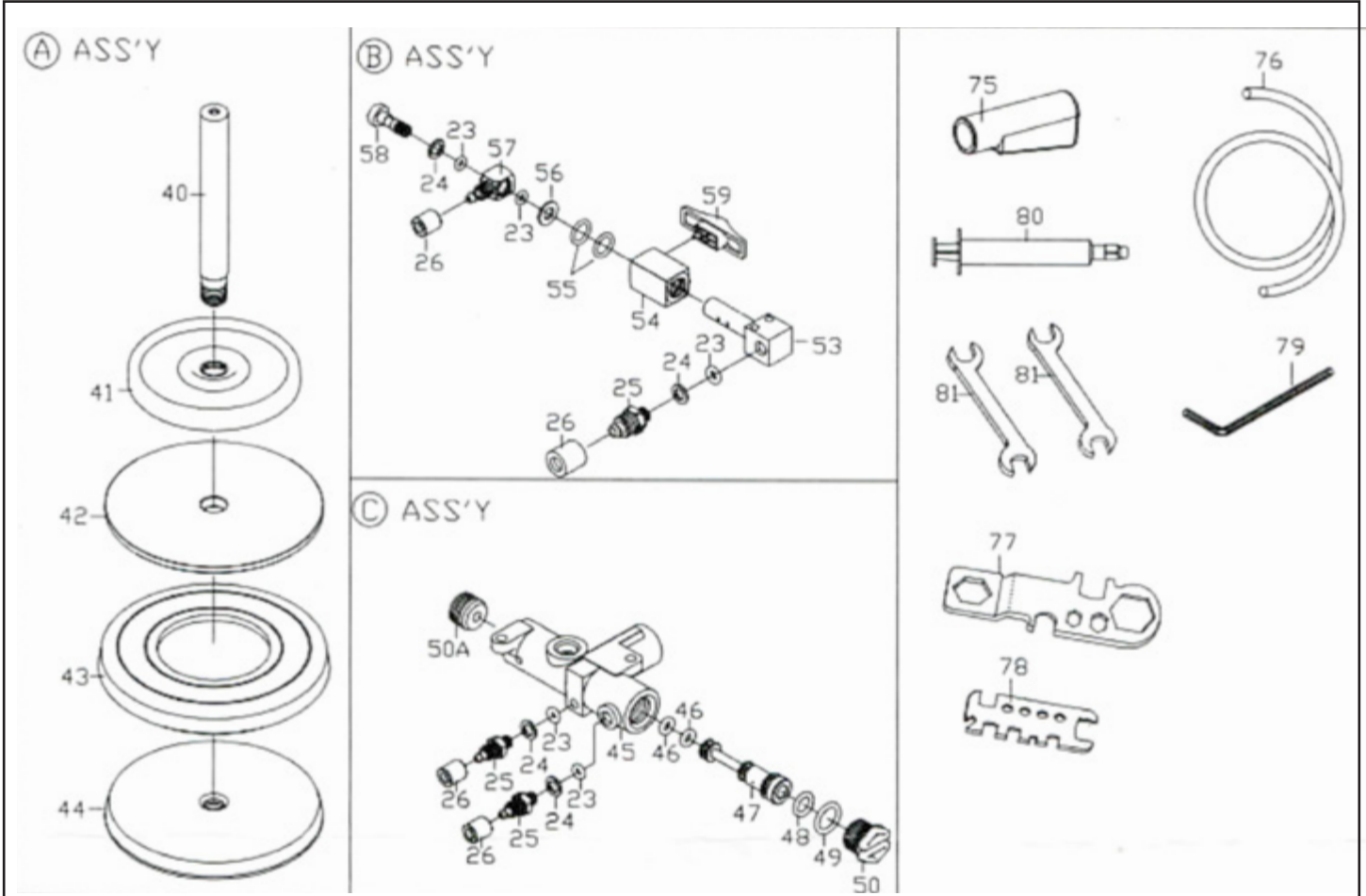


06282018Rev12MME | NP



**MICHIGAN PNEUMATIC TOOL, INC.**

# MP-MCS20187 3/16" Capacity Air/Hydraulic Riveter



06282018Rev12MME | NP



**MICHIGAN PNEUMATIC TOOL, INC.**

**MP-MCS20187** 3/16" Capacity Air/Hydraulic Riveter

Index	Part No.	Description	Qty.
1	MCS20187-01	Hydraulic Section	1
2	MCS20187-02	O-Ring	2
3	MCS20187-03	Back-up Ring	2
4	MCS20187-04	Nut	1
5	MCS20187-05	Jaw Housing Coupler	1
6	MCS20187-06	O-Ring	1
7	MCS20187-07	Spring	1
8	MCS20187-08	Jaw Pusher	1
9	MCS20187-09	Jaw	2
10	MCS20187-10	Jaw Hosing	1
11	MCS20187-11	Lock Nut	2
12	MCS20187-12	Head	1
13	MCS20187-13	Hydraulic Plunger	1
14	MCS20187-14	O-Ring	2
15	MCS20187-15	Back-up Ring	2
16	MCS20187-16	Return Spring	1
17	MCS20187-17	O-Ring	3
18	MCS20187-18	O-Ring	1
19	MCS20187-19	Rear Gland	1
20	MCS20187-20	O-Ring	1
21	MCS20187-21	Set Screw	1
22	MCS20187-22	Hanger	1
23	MCS20187-23	O-Ring	8
24	MCS20187-24	Washer	6
25	MCS20187-25	Socket	5
26	MCS20187-26	Cap	6
28A	MCS20187-28A	Hydraulic Tube Connector-B	1
28B	MCS20187-28B	O-Ring	1
28C	MCS20187-28C	Hydraulic Tube Washer	1
28D	MCS20187-28D	Hydraulic Tube Connector-A	1
29	MCS20187-29	O-Ring	1
30	MCS20187-30	Upper Cover	1
31	MCS20187-31	Nut	4
32	MCS20187-32	Air Cylinder Body	1
33	MCS20187-33	Set Screw	4
36	MCS20187-36	O-Ring	2
37	MCS20187-37	Back-up Ring	2
40	MCS20187-40	Plunger Rod	1
41	MCS20187-41	Bumper Ring	1
42	MCS20187-42	Front Head Disk	1
43	MCS20187-43	Packing Ring	1
44	MCS20187-44	Lower Plate	1
45	MCS20187-45	Valve Case	1
46	MCS20187-46	O-Ring	2

Index	Part No.	Description	Qty.
47	MCS20187-47	Valve Stem	1
48	MCS20187-48	O-Ring	2
49	MCS20187-49	O-Ring	1
50	MCS20187-50	Inlet Plug	1
50A	MCS20187-50A	Socket Screw	1
51	MCS20187-51	Set Screw	3
52	MCS20187-52	Base	1
52A	MCS20187-52A	Rubber Boot	1
53	MCS20187-53	Vacuum Valve	1
54	MCS20187-54	Sleeve	1
55	MCS20187-55	O-Ring	1
56	MCS20187-56	Washer	1
57	MCS20187-57	Swivel	1
58	MCS20187-58	Socket	1
59	MCS20187-59	Vacuum Switch	1
60	MCS20187-60	Set Screw	2
61	MCS20187-61	Washer	7
62	MCS20187-62	Screw	5
63	MCS20187-63	Valve Body	1
64	MCS20187-64	Bleeding Valve	1
65	MCS20187-65	Trigger	1
66	MCS20187-66	Plastic Grip-Right	1
67	MCS20187-67	Battery Cap	1
68	MCS20187-68	Plastic Grip-Left	1
70	MCS20187-70	Silencer	1
71	MCS20187-71	Muffler Seat	1
72	MCS20187-72	Silencer	1
73	MCS20187-73	Mandrel Collector	1
74	MCS20187-74	Muffler Cap	1
75	MCS20187-75	Deflector	1
76	MCS20187-76	PU Tube (OPT.)	1
77	MCS20187-77	Multi-Wrench (A)	1
78	MCS20187-78	Multi-Wrench (B)	1
79	MCS20187-79	5mm Hex Wrench	1
80	MCS20187-80	Oiler	1
81	MCS20187-81	17x19 Wrench	2
82A	MCS20187-82A	2.5x4 PU Hose (Black)	1
82B	MCS20187-82B	2.5x4 PU Hose (Orange)	1
82C	MCS20187-82C	2.5x4 PU Hose (Orange)	1
87	MCS20187-87	Nose Piece 5/32" (4.0mm)	1
	MCS20187-87	Nose Piece 3/16" (4.8mm)	1
	MCS20187-87	Monobolt 3/16" (4.8mm)	1
89	MCS20187-89	Air Inlet Assembly	1
90	MCS20187-90	Service Kit (opt.) (No. 02, 03, 09, 14, 15, 36, 37, 46, 48, 49)	1

**3-Jaw option available:**

- 922308 Spring
- 922302 Jaw Pusher
- 819313 Jaw (3)