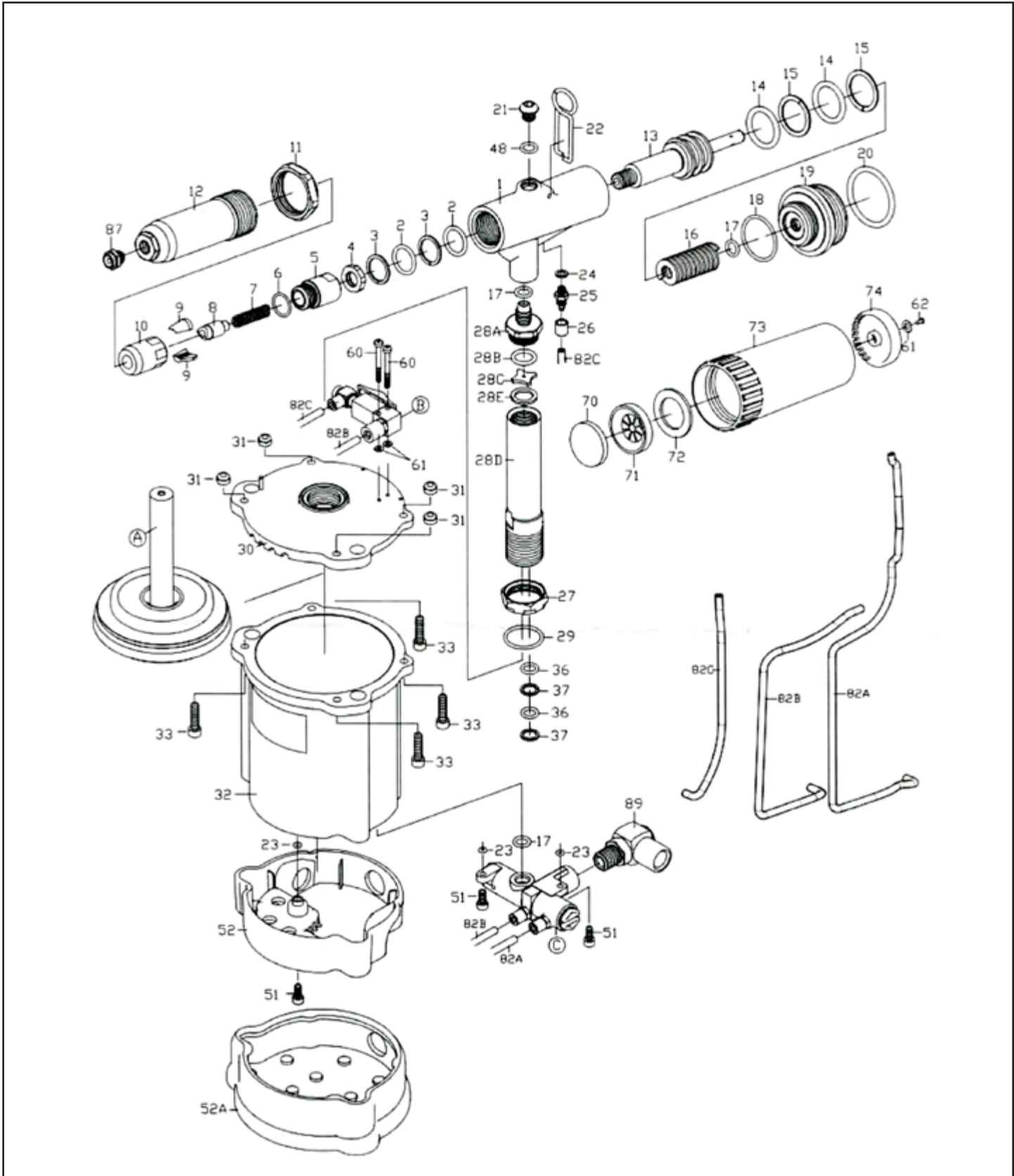




MICHIGAN PNEUMATIC TOOL, INC.

MP-MCS33250 1/4" Capacity Air/Hydraulic Riveter

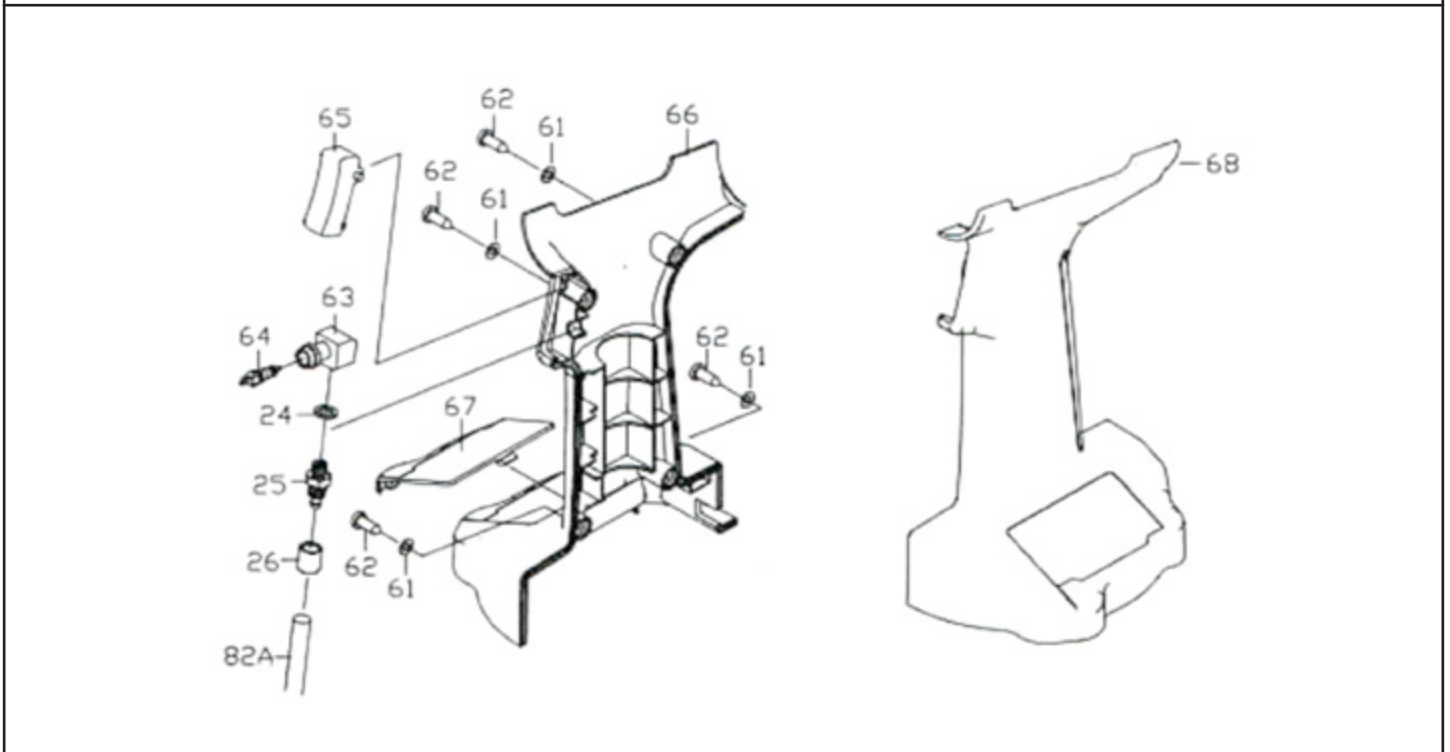
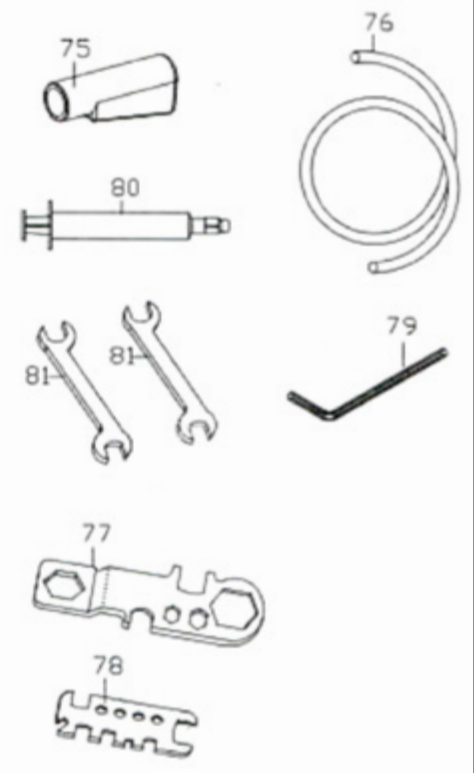
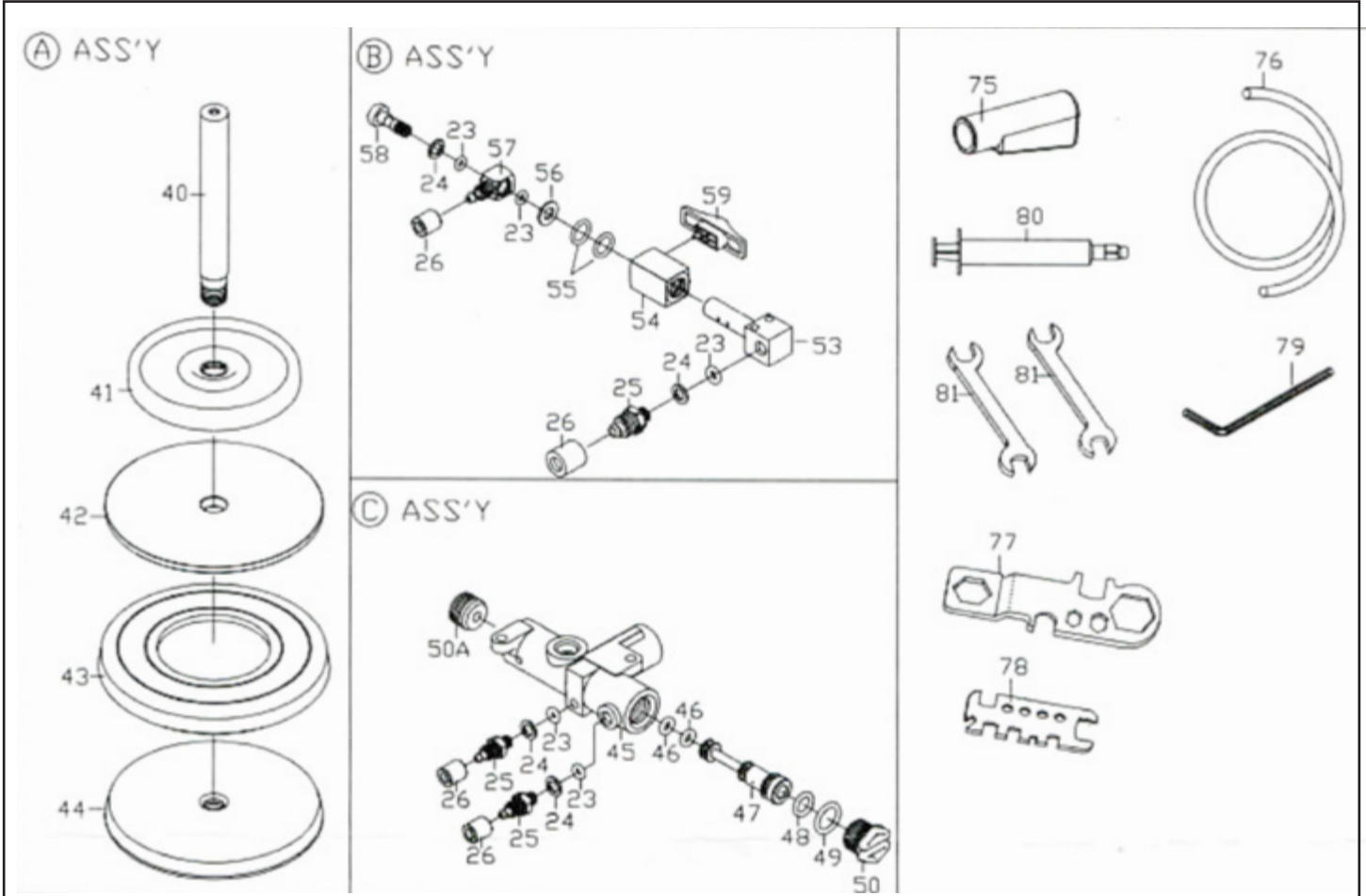


06282018Rev7MME | NP



MICHIGAN PNEUMATIC TOOL, INC.

MP-MCS33250 1/4" Capacity Air/Hydraulic Riveter



06282018Rev7MME | NP



MICHIGAN PNEUMATIC TOOL, INC.

MP-MCS33250 1/4" Capacity Air/Hydraulic Riveter

Index	Part No.	Description	Qty.
1	MCS33250-01	Hydraulic Section	1
2	MCS33250-02	O-Ring	2
3	MCS33250-03	Back-up Ring	2
4	MCS33250-04	Nut	1
5	MCS33250-05	Jaw Housing Coupler	1
6	MCS33250-06	O-Ring	1
7	MCS33250-07	Spring	1
8	MCS33250-08	Jaw Pusher	1
9	MCS33250-09	Jaw	2
10	MCS33250-10	Jaw Housing	1
11	MCS33250-11	Lock Nut	1
12	MCS33250-12	Head	1
13	MCS33250-13	Hydraulic Plunger	1
14	MCS33250-14	O-Ring	2
15	MCS33250-15	Back-up Ring	2
16	MCS33250-16	Return Spring	1
17	MCS33250-17	O-Ring	3
18	MCS33250-18	O-Ring	1
19	MCS33250-19	Rear Gland	1
20	MCS33250-20	O-Ring	1
21	MCS33250-21	Set Screw	1
22	MCS33250-22	Hanger	1
23	MCS33250-23	O-Ring	8
24	MCS33250-24	Washer	6
25	MCS33250-25	Socket	5
26	MCS33250-26	Cap	6
27	MCS33250-27	Nut	1
28A	MCS33250-28A	Hydraulic Tube Connector-B	1
28B	MCS33250-28B	O-Ring	1
28C	MCS33250-28C	Hydraulic Tube Washer	1
28D	MCS33250-28D	Hydraulic Tube Connector-A	1
28E	MCS33250-28E	Washer	1
29	MCS33250-29	O-Ring	1
30	MCS33250-30	Upper Cover	1
31	MCS33250-31	Nut	4
32	MCS33250-32	Air Cylinder	1
33	MCS33250-33	Set Screw	1
36	MCS33250-36	O-Ring	2
37	MCS33250-37	Back-up Ring	2
40	MCS33250-40	Plunger Rod	1
41	MCS33250-41	Bumper Ring	1
42A	MCS33250-42A	Front Head Disk A	1
42B	MCS33250-42B	Front Head Disk B	1
43	MCS33250-43	Packing Ring	1
44	MCS33250-44	Lower Plate	1
45	MCS33250-45	Valve Case	1
46	MCS33250-46	O-Ring	2

Index	Part No.	Description	Qty.
47	MCS33250-47	Valve Stem	1
48	MCS33250-48	O-Ring	2
49	MCS33250-49	O-Ring	1
50	MCS33250-50	Inlet Plug	1
50A	MCS33250-50A	Socket Screw	1
51	MCS33250-51	Set Screw	3
52	MCS33250-52	Base	1
52A	MCS33250-52A	Rubber Boot	1
53	MCS33250-53	Vacuum Valve	1
54	MCS33250-54	Sleeve	1
55	MCS33250-55	O-Ring	2
56	MCS33250-56	Washer	1
57	MCS33250-57	Swivel	1
58	MCS33250-58	Socket	1
59	MCS33250-59	Vacuum Switch	1
60	MCS33250-60	Set Screw	2
61	MCS33250-61	Washer	7
62	MCS33250-62	Screw	5
63	MCS33250-63	Valve Body	1
64	MCS33250-64	Bleeding Valve	1
65	MCS33250-65	Trigger	1
66	MCS33250-66	Plastic Grip-Right	1
67	MCS33250-67	Battery Cap	1
68	MCS33250-68	Plastic Grip-Left	1
68A	MCS33250-68A	Set Screw	2
70	MCS33250-70	Silencer	1
71	MCS33250-71	Muffler Seat	1
72	MCS33250-72	Silencer	1
73	MCS33250-73	Mandrel Collector	1
74	MCS33250-74	Muffler Cap	1
75	MCS33250-75	Deflector	1
76	MCS33250-76	PU Tube (OPT.)	1
77	MCS33250-77	Multi-Wrench (A)	1
78	MCS33250-78	Multi-Wrench (B)	1
79	MCS33250-79	5mm Hex Wrench	1
80	MCS33250-80	Oiler	1
81A	MCS33250-81A	17x19 Wrench	2
81B	MCS33250-81B	19x21 Wrench	1
82A	MCS33250-82A	2.5x4 PU Hose (Black)	1
82B	MCS33250-82B	2.5x4 PU Hose (Orange)	1
82C	MCS33250-82C	2.5x4 PU Hose (Orange)	1
87	MCS33250-87 MCS33250-87-1 MCS33250-87-2 MCS33250-87-3	Nose Piece 3/16" (4.8mm) Nose Piece 1/4" (6.4mm) Nose Piece 3/16" (4.8mm) Nose Piece 1/4" Monobolt	1
89	MCS33250-89	Air Inlet Assembly	-
90	MCS33250-90	Service Kit (opt.) (No. 02, 03, 09, 14, 15, 36, 37, 46, 48, 49)	-