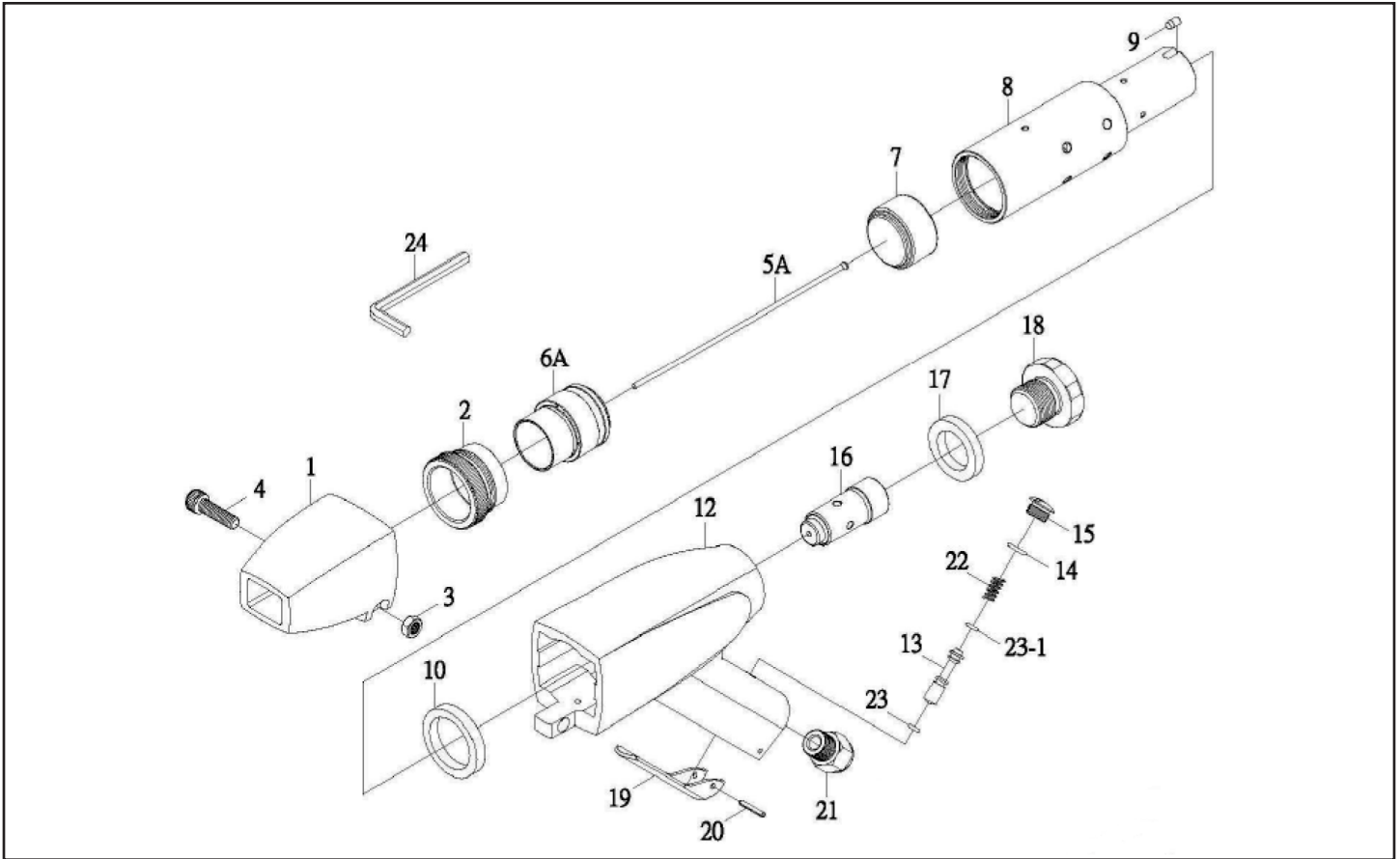




MICHIGAN PNEUMATIC TOOL, INC.

MP-N24 Heavy-Duty Needle Scaler



Index	Part No.	Description	Qty.
1	N24-01	Needle Guide Assembly	1
2	N24-02	Lock Pin	1
3	N24-03	Nut (5/16")	1
4	N24-04	Cap Head Screw (5/16" x 1-3/4")	1
5A	N24-5A	3mm Needle Set	23
5B	N24-5B	2mm Needle Set	53
6A	N24-6A	Needle Supporter (3mm)	1
6B	N24-6B	Needle Supporter (2mm)	1
7	N24-07	Throttle Anvil	1
8	N24-08	Cylinder	1
9	N24-09	Cylinder lock Pin	1
10	N24-10	Front Washer	1
12	N24-12	Housing Sub Assy	1

Index	Part No.	Description	Qty.
13	N24-13	Throttle Valve	1
14	N24-14	O-Ring	1
15	N24-15	Valve Cap	1
16	N24-16	Piston	1
17	N24-17	Rear Washer	1
18	N24-18	Rear Plug	1
19	N24-19	Throttle Lever	1
20	N24-20	Spring Pin	1
21	N24-21	Air Inlet (3/8")	1
22	N24-22	Throttle Spring	1
23	N24-23	O-Ring	1
23-1	N24-23-1	O-Ring	1
24	N24-24	Hex Wrench (6mm)	1